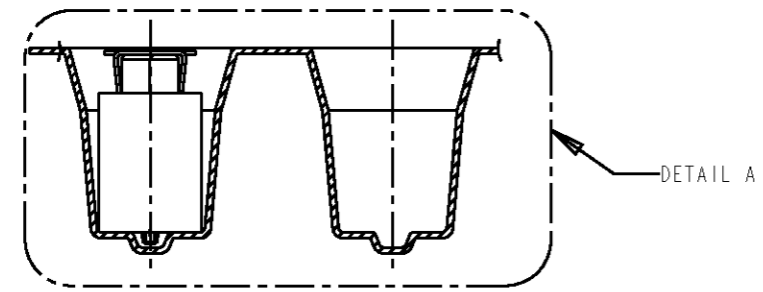
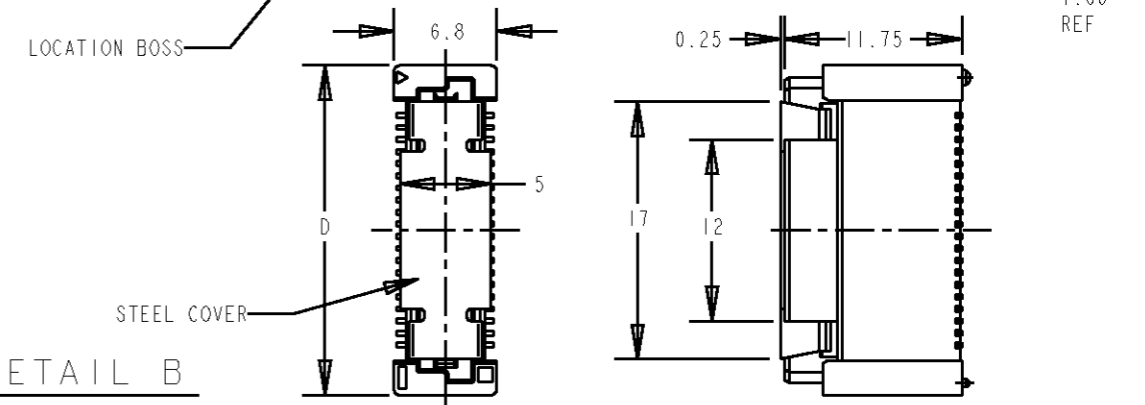
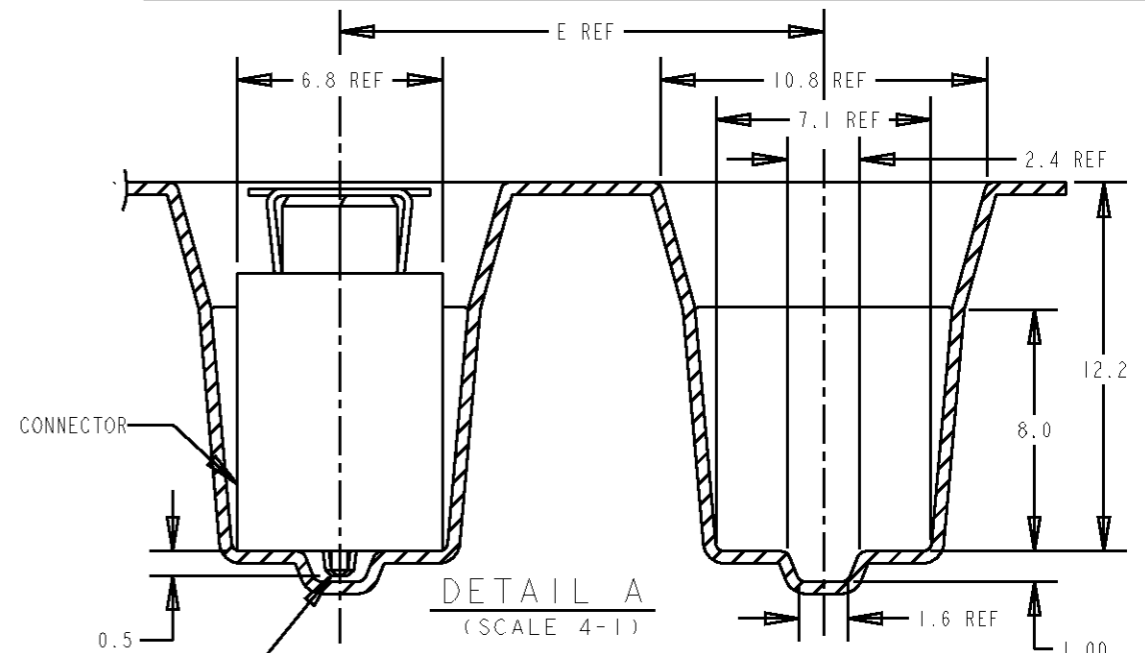
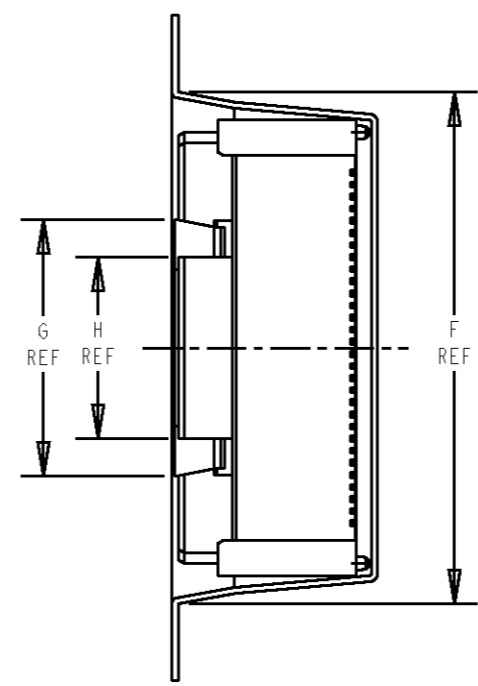
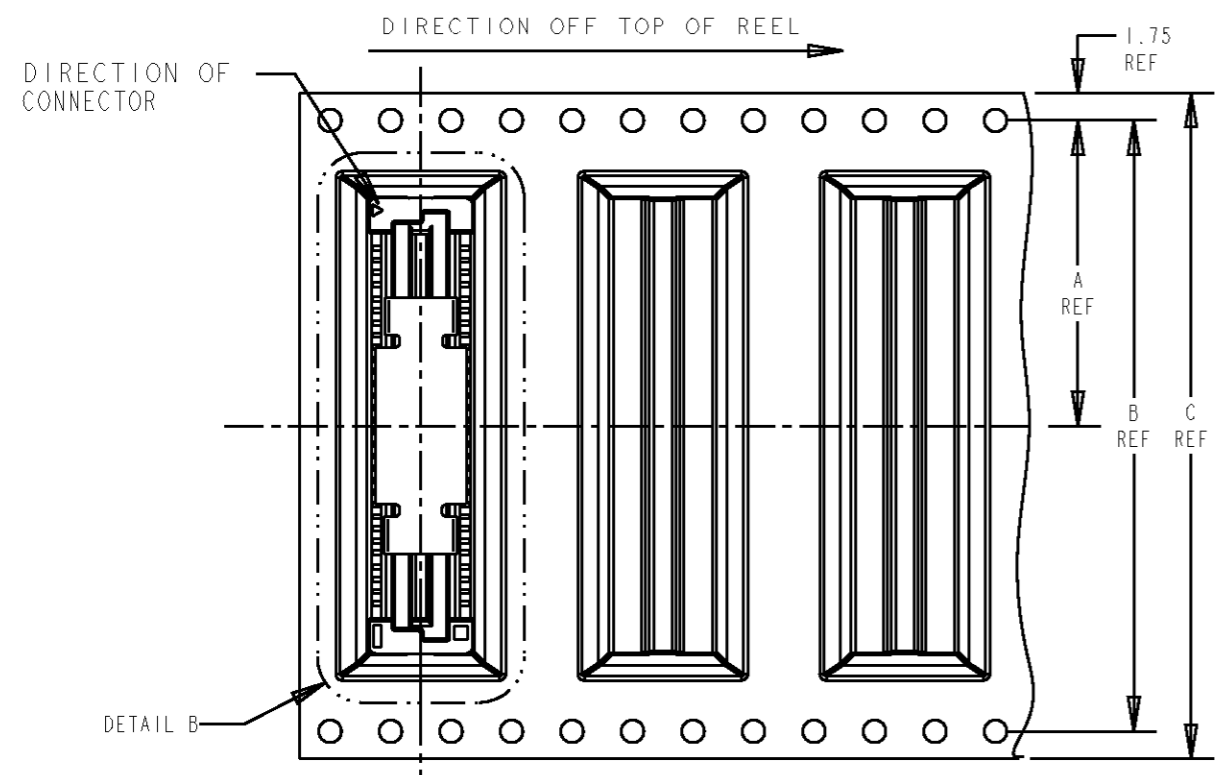
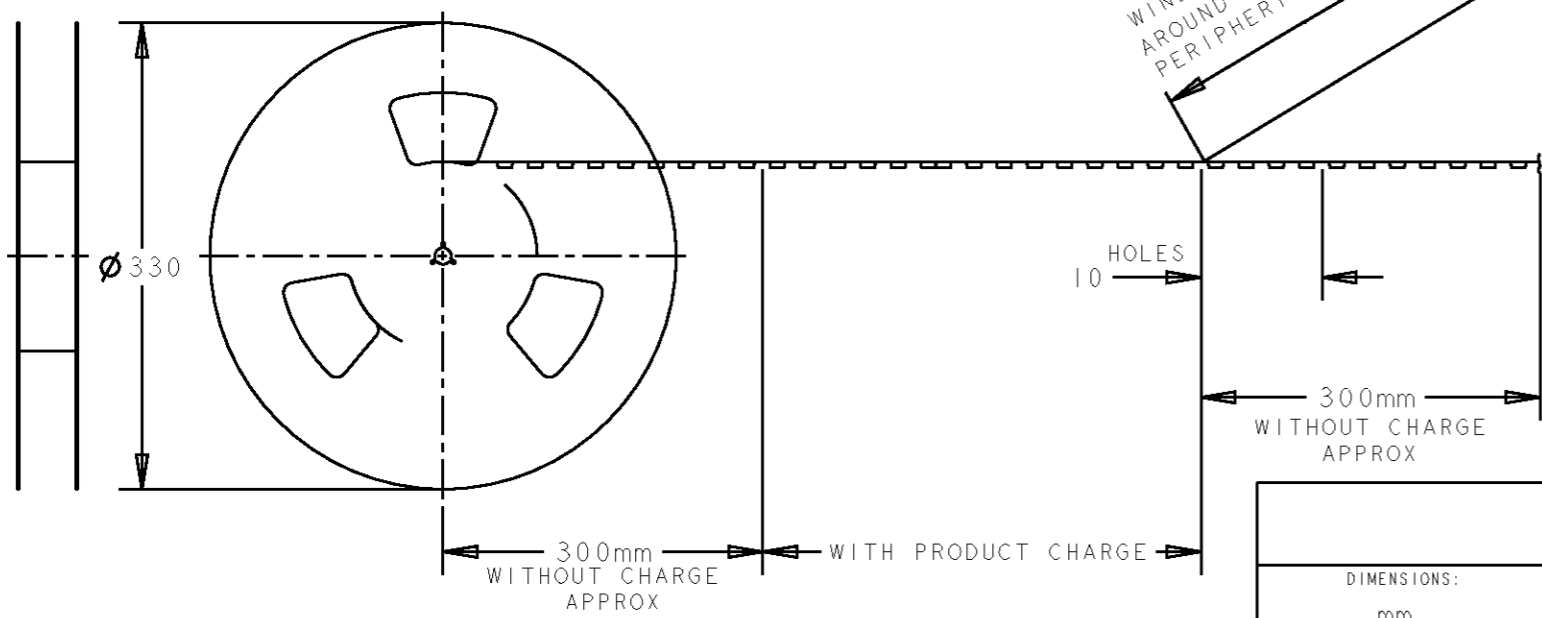


THIS DRAWING IS UNPUBLISHED. RELEASED FOR PUBLICATION .19 .
 BY - ALL RIGHTS RESERVED.

LOC		DIST		REVISIONS					
DY		-		P	LTR	DESCRIPTION	DATE	DWN	APVD
				P		REVISED PER ECO-11-005139	19MAR11	RK	HMR



WINDING THE COVER TAPE
 AROUND THE OUTER
 PERIPHERY IN A TURN.



AVAILABLE	200	12	17	89.8	16	85.8	104	100.4	50.2	6-5179010-0	200	1-5084616-0
	200	12	17	81.8	16	77.8	104	100.4	50.2	5-5179010-9	180	0-5084616-9
	200	12	17	73.8	16	69.8	88	84.4	42.2	5-5179010-8	160	0-5084616-8
	200	12	17	65.8	16	61.8	88	84.4	42.2	5-5179010-6	140	0-5084616-6
	200	12	17	57.8	16	53.8	72	68.4	34.2	5-5179010-5	120	0-5084616-5
	200	12	17	49.8	16	45.8	72	68.4	34.2	5-5179010-4	100	0-5084616-4
	200	12	17	41.8	16	37.8	56	52.4	26.2	5-5179010-3	80	0-5084616-3
	200	12	17	33.8	16	29.8	44	40.4	20.2	5-5179010-2	60	0-5084616-2
	200	12	17	25.8	16	21.8	44	40.4	20.2	5-5179010-1	40	0-5084616-1
REMARKS	QTY	H	G	F	E	D	C	B	A	CONNECTOR P/N	POS	PART NO.

DOWNSIDE: FLORENCE TAN 01SEP04			
CHECKED: ERIC TNG			
APPROVED: SEI FONG		NAME: RECEPTACLE ASS'Y 13H TYPE (0.5 BOSS LENGTH) FOR FH 0.8mm B-T-B CONN. ON TAPING	
PRODUCT SPEC: 108-5390		SIZE: A3	CAGE CODE: 00779
APPLICATION SPEC: 114-5254		DRAWING NO: C-5084616	
MATERIAL: -		SCALE: 2:1	
FINISH: -		SHEET 1 OF 1	
CUSTOMER DRAWING		REV P	