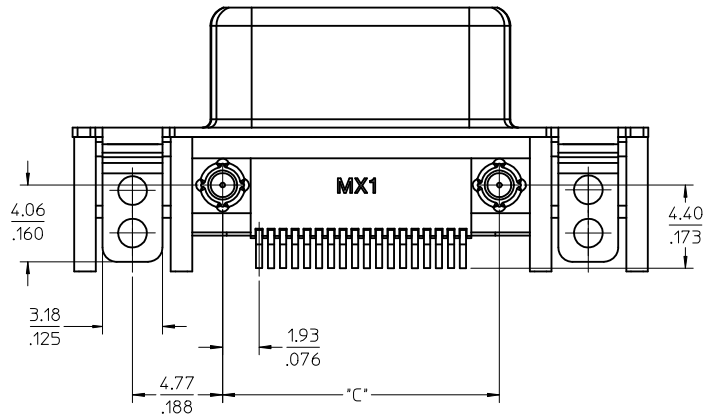
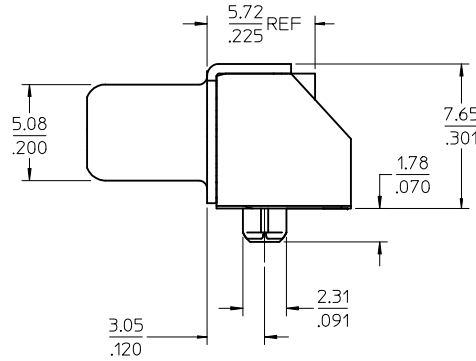
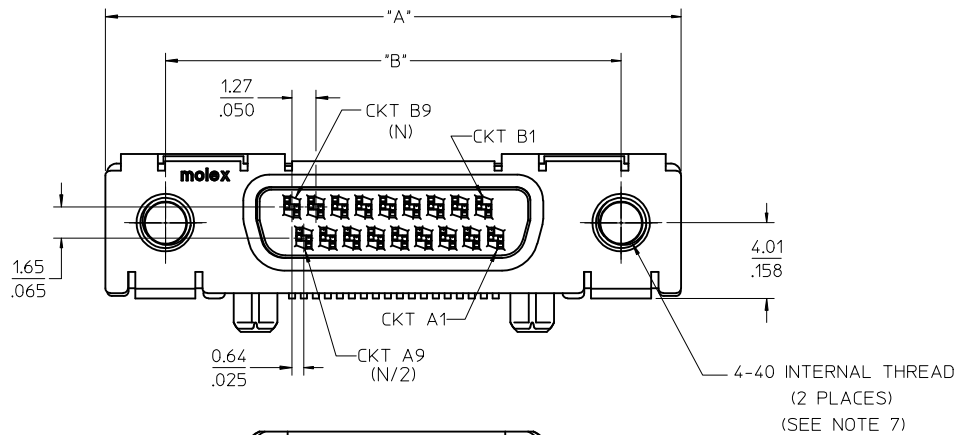
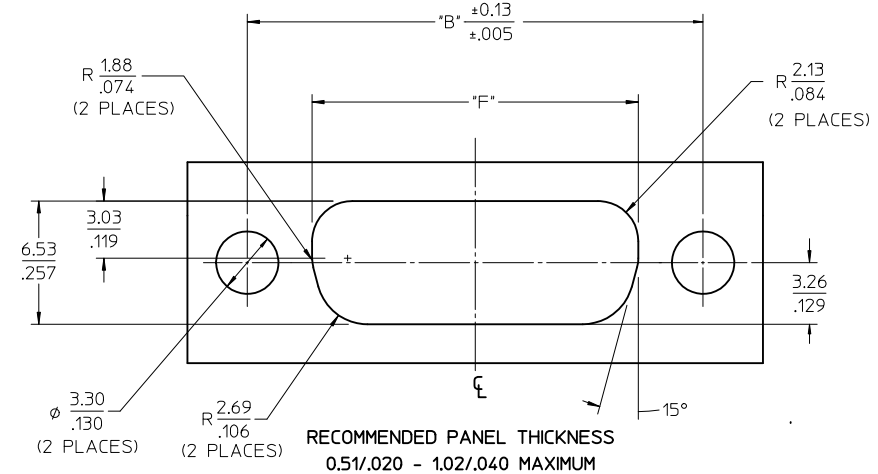
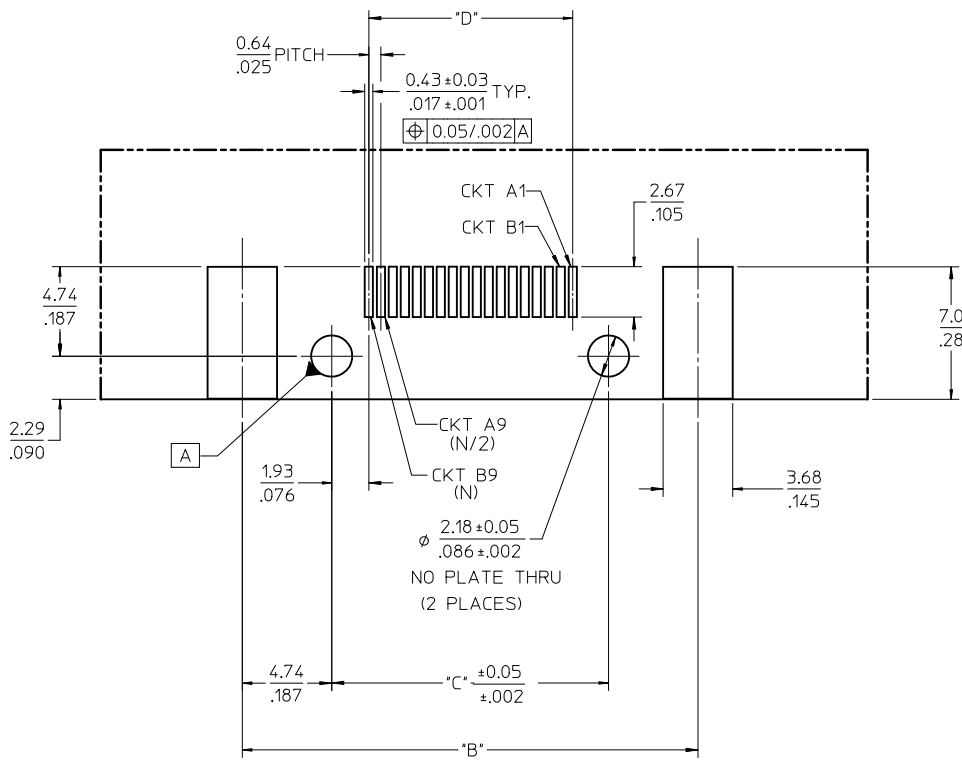


- NOTES:**
- MATERIALS:**
SHIELD - DEEP DRAWN STEEL
HOUSING - GLASS FILLED POLYMER, BLACK, UL 94V-0
CONTACTS - COPPER ALLOY
 - PLATING:**
TERMINALS - SELECTIVE GOLD (Au) THICKNESS IN CONTACT AREA, 0.38 MICROMETERS/15 MICROINCHES MINIMUM, SELECTIVE MATTE TIN (Sn) THICKNESS IN PC TAIL AREA, 2.54 MICROMETERS/100 MICROINCHES MINIMUM, OVER NICKEL (Ni) UNDERPLATE OVERALL.
SHIELD - 2.54 MICROMETERS/100 MICROINCHES MINIMUM MATTE TIN (Sn) OVER 1.27 MICROMETERS/50 MICROINCHES MINIMUM NICKEL (Ni) OVER COPPER (Cu) UNDERPLATE OVERALL.
 - PC SMT TAILS AND 2 GROUND TABS ARE TO BE COPLANAR WITHIN 0.127/0.005.
 - PARTS TO BE PACKAGED IN TAPE AND REEL. SEE CHART ON SHEET 2 FOR PACKAGING SPECIFICATION.
 - REFER TO SHEET 2 FOR RECOMMENDED PCB LAYOUT AND PANEL CUT-OUT.
 - PRODUCT CONFORMS TO MOLEX PRODUCT SPECIFICATION PS-74960-000.
 - FOR TDP RECEPTACLE WITH M3 INTERNAL THREAD OPTION CONTACT PRODUCT MARKETING.



ADDED DATE CODE EC NO: UCP2011-0882 DRWN: JJANTELEZ009/11/25 CHKD: APPR: MBANAKIS 2010/10/29	QUALITY SYMBOLS ▽ - 0 ∇ - 0	GENERAL TOLERANCES (UNLESS SPECIFIED)		SCALE 5:1	DESIGN UNITS INCH	THIRD ANGLE PROJECTION	REVISE ON CAD ONLY
			mm	INCH	DIMENSION STYLE MM/IN		TITLE SALES DRAWING - PCIE/TDP SMT RECEPTACLE ASSEMBLY
		4 PLACES	± ---	± ---	DRAWN BY JJANTELEZ DATE 07/15/2008	MOLEX INCORPORATED	
		3 PLACES	± ---	± .010	CHECKED BY TMCCLELL DATE 07/15/2008		
2 PLACES	± 0.25	± .015	DRAFT WHERE APPLICABLE MUST REMAIN WITHIN DIMENSIONS		APPROVED BY MBANAKIS DATE 2010/10/29	MATERIAL NO. SEE CHART DOCUMENT NO. SD-74960-010	SHEET NO. 1 OF 3
1 PLACE	± 0.38	± ---	ANGULAR ±1/2°		THIS DRAWING CONTAINS INFORMATION THAT IS PROPRIETARY TO MOLEX INCORPORATED AND SHOULD NOT BE USED WITHOUT WRITTEN PERMISSION		



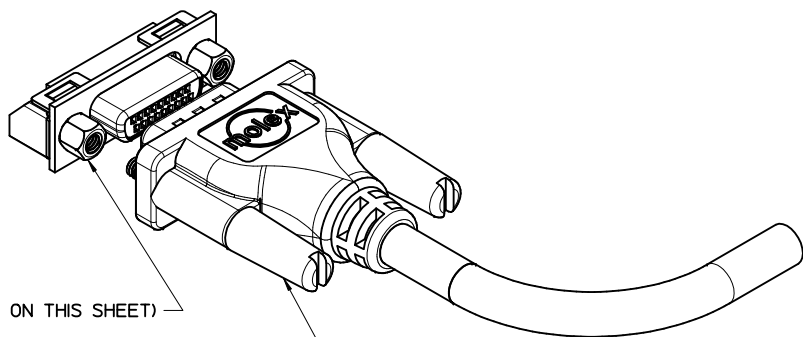
NOT TOOLED	MATERIAL NUMBER	CIRCUIT SIZE	*A* DIMENSION	*B* DIMENSION	*C* DIMENSION	*D* DIMENSION	*E* DIMENSION	*F* DIMENSION	PACKAGING SPECIFICATION	
	74960-3018	18	30.48 1.200	24.13 .950	14.66 .577	10.80 .425	15.87 .625	17.27 .680	PK-74960-995	
	74960-3028	28	36.83 1.450	30.48 1.200	21.01 .827	17.15 .675	22.17 .873	23.62 .930	PK-74960-995	
X	74960-3038	38	43.18 1.700	36.83 1.450	27.36 1.077	23.50 .925	28.52 1.123	29.97 1.180	N/A	CONTACT PRODUCT MARKETING
	74960-3048	48	49.53 1.950	43.18 1.700	33.71 1.327	29.85 1.175	34.87 1.373	36.32 1.430	PK-74960-996	
X	74960-3072	72	64.77 2.550	58.42 2.300	48.95 1.927	45.09 1.775	50.11 1.973	51.56 2.030	N/A	CONTACT PRODUCT MARKETING

NOTES:

- ALL DIMENSIONS ON THIS SHEET ARE ±0.13/.005 TOLERANCE UNLESS OTHERWISE SPECIFIED.
- DIMENSIONS SHOWN ABOUT A CENTERLINE ARE SYMMETRICAL ABOUT THAT CENTERLINE WITHIN HALF THE SPECIFIED TOLERANCE.

SEE SHEET 1 EC NO: UCP2011-0882 DRWN: JJANTELEZ009/11/25 CHKD: APPR: MBANAKIS 2010/10/29	QUALITY SYMBOLS ▽ - 0 ▽ - 0	GENERAL TOLERANCES (UNLESS SPECIFIED)		SCALE 5:1	DESIGN UNITS INCH	THIRD ANGLE PROJECTION	REVISE ON CAD ONLY	
				DIMENSION STYLE MM/IN		TITLE SALES DRAWING - PCIE/TDP SMT RECEPTACLE ASSEMBLY		
		4 PLACES ± --- ± ---	3 PLACES ± --- ± .010	DRAWN BY JJANTELEZ	DATE 07/15/2008	MATERIAL NO. DOCUMENT NO. SHEET NO.		
		2 PLACES ± 0.25 ± .015	1 PLACE ± 0.38 ± ---	CHECKED BY TMCLELL	DATE 07/15/2008	SEE CHART SD-74960-010 2 OF 3		
ANGULAR ±1/2°		DRAFT WHERE APPLICABLE MUST REMAIN WITHIN DIMENSIONS		THIS DRAWING CONTAINS INFORMATION THAT IS PROPRIETARY TO MOLEX INCORPORATED AND SHOULD NOT BE USED WITHOUT WRITTEN PERMISSION				

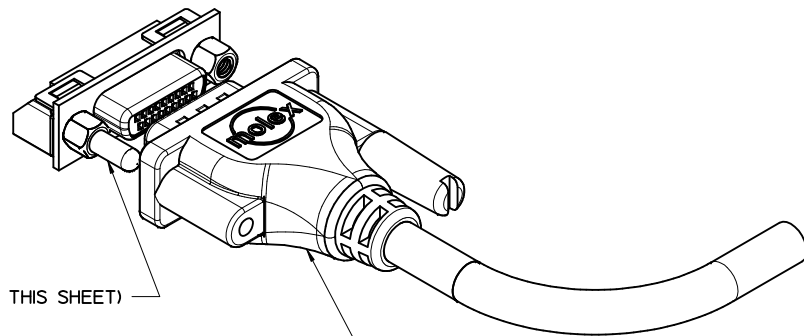
STANDARD CONFIGURATION



(SEE NOTE 1 ON THIS SHEET)

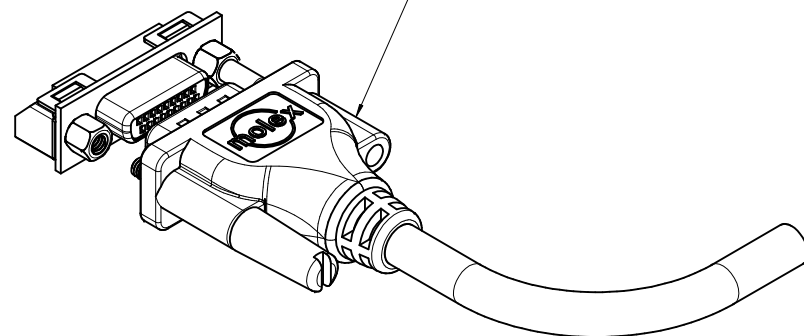
SEE SALES DRAWING SD-74576-000 FOR STANDARD CABLE PART NUMBER

OPTIONAL CONFIGURATION

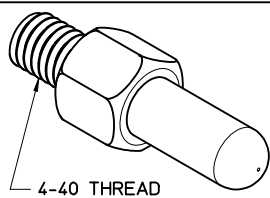
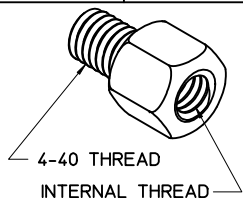


(SEE NOTE 2 ON THIS SHEET)

SEE SALES DRAWING SD-74576-0300 FOR OPTIONAL CABLE PART NUMBER



RECOMMENDED JACKPOST INTERNAL THREAD OPTIONS (SEE NOTE 1 ON THIS SHEET)		OPTIONAL JACKPOST POLARIZATION HARDWARE (SEE NOTE 2 ON THIS SHEET)
4-40	M3	
74962-0001	74962-0002	74962-0100



1. RECOMMENDED JACK POST MOUNTING HARDWARE (QTY 2 PER ASSEMBLY), SEE CHART FOR ITEM NUMBERS AND SALES DRAWING SD-74962-000.
2. OPTIONAL JACK POST POLARIZATION HARDWARE.(QTY 1 PER ASSEMBLY), SEE CHART FOR ITEM NUMBER AND SALES DRAWING SD-74962-100.

SEE SHEET 1 EC NO: UCP2011-0882 DRWN: JANTELEZ10 2009/11/25 CHKD: APPR: MBANAKIS 2010/10/29	DESCRIPTION QUALITY SYMBOLS ▽=0 ▽=0 ▽=0	GENERAL TOLERANCES (UNLESS SPECIFIED)		DIMENSION STYLE		SCALE	DESIGN UNITS	THIRD ANGLE PROJECTION			
				MM/IN		4:1	INCH				
				DRAWN BY DATE		CHECKED BY DATE		TITLE			
				APPROVED BY DATE		MATERIAL NO.		DOCUMENT NO.		SHEET NO.	
		ANGULAR ±1/2°		DRAWN BY JJANTELEZ10 DATE 07/15/2008		CHECKED BY TMCCLLELL DATE 07/15/2008		SALES DRAWING - PCIE/TDP SMT RECEPTACLE ASSEMBLY			
		DRAFT WHERE APPLICABLE MUST REMAIN WITHIN DIMENSIONS		APPROVED BY MBANAKIS DATE 2010/10/29		MATERIAL NO. SEE SHEET 1		DOCUMENT NO. SD-74960-010		SHEET NO. 3 OF 3	
				SIZE		THIS DRAWING CONTAINS INFORMATION THAT IS PROPRIETARY TO MOLEX INCORPORATED AND SHOULD NOT BE USED WITHOUT WRITTEN PERMISSION					