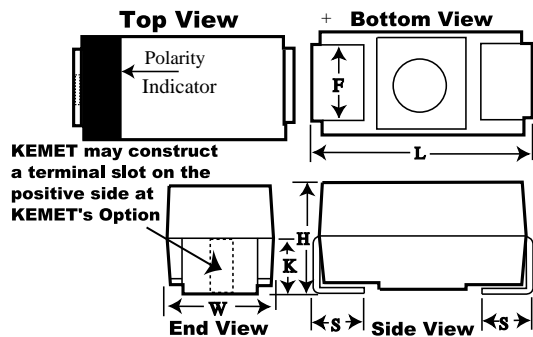


KEMET Part Number: B45196L5106M409 **Obsolete**
(T495D106M025ZTA1K2)

B45196L, Tantalum, MnO2 Tantalum, 10 uF, 20%, 25 V, SMD, Molded, Automotive, 1.2 Ohms, 7343, Height Max = 3.1mm



Dimensions

Footprint	7343
L	7.3mm +/-0.3mm
W	4.3mm +/-0.3mm
H	2.8mm +/-0.3mm
S	1.3mm +/-0.3mm
F	2.4mm +/-0.1mm
K	1.8mm TYP

Packaging Specifications

Packaging:	T&R, 178mm
Packaging Quantity:	750

General Information

Supplier:	KEMET
Series:	B45196L
Dielectric:	MnO2 Tantalum
Style:	SMD Chip
Description:	SMD, Molded, Automotive
Features:	Automotive
RoHS:	Yes
Termination:	Tin
Qualifications:	AEC-Q200
AEC-Q200:	Yes
Miscellaneous:	AEC-Q200
Notes:	Obsolete

Specifications

Capacitance:	10 uF
Capacitance Tolerance:	20%
Voltage DC:	25 VDC (85C), 16.75 VDC (125C)
Temperature Range:	-55/+125C
Rated Temperature:	85C
Dissipation Factor:	6%
Failure Rate:	N/A
Resistance:	1.2 Ohms (100kHz)
Current:	129.1 mAmps (25C), 116.2 mAmps (85C), 51.6 mAmps (125C)
Leakage Current:	2.5 uA