

MATERIALS AND FINISHES

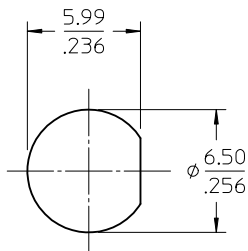
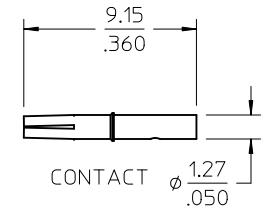
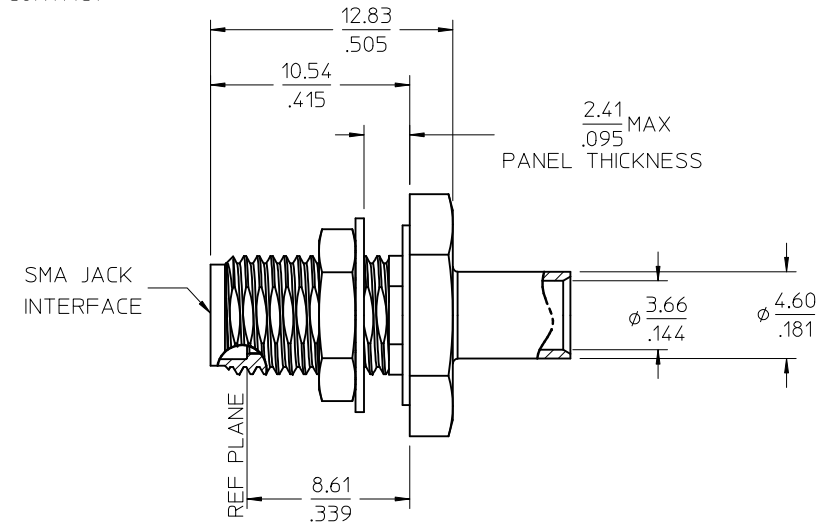
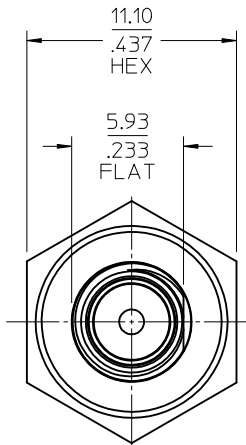
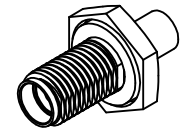
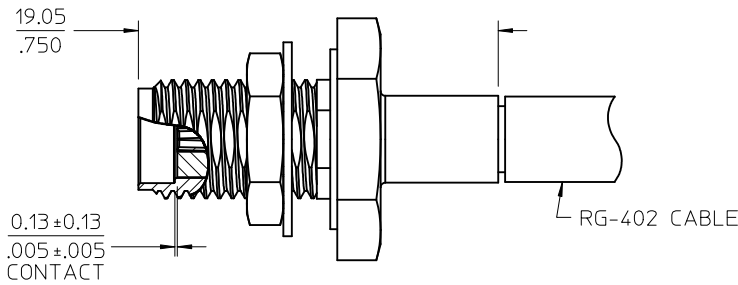
BODY, JAM NUT: BRASS
PLATED GOLD

CENTER CONTACT: BERYLLIUM COPPER
PLATED GOLD

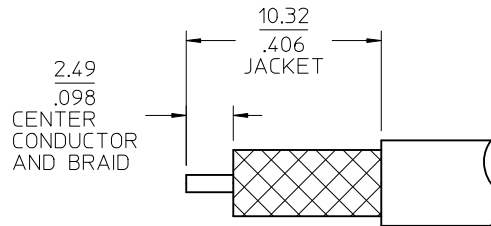
INSULATOR: TEFLON

LOCKWASHER PHOSPHOR BRONZE
PLATED GOLD

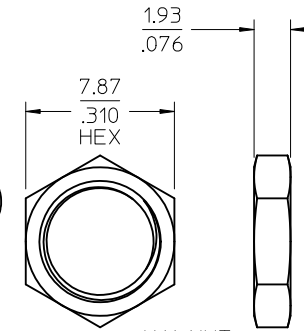
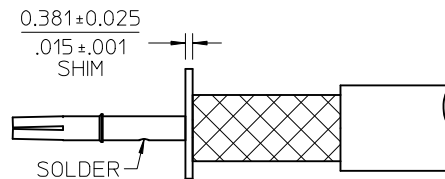
GASKET SILICONE RUBBER



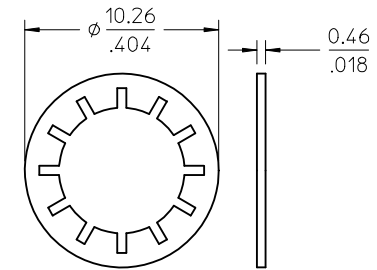
RECOMMENDED MOUNTING HOLE



RECOMMENDED CABLE STRIP DIMENSION



JAM NUT



LOCKWASHER

73251-0832	INCLUDED	ONE PER BAG
73251-0831	NOT INCLUDED	TRAY
73251-0830	INCLUDED	TRAY
PART NO.	NUT/WASHER/ GASKET	PACKAGING

CHG: -0832 ADD: 2011/04/20 IEC NO: URF2011-0621 DRWN: WIENER CHKD: SSS APPR: WIENER 2011/04/21 2011/04/21	DESCRIPTION
	REV
	A3
	REV

QUALITY SYMBOLS	$\nabla=0$ $\nabla=0$
GENERAL TOLERANCES (UNLESS SPECIFIED)	
	ANGULAR $\pm 2^\circ$
DRAFT WHERE APPLICABLE MUST REMAIN WITHIN DIMENSIONS	

DIMENSION STYLE		SCALE	DESIGN UNITS	THIRD ANGLE PROJECTION
MM/IN			METRIC	
DRAWN BY	DATE	TITLE		
TEF	2002/03/07	SMA JACK, BULKHEAD FOR RG402 CABLE, EWR-3363 SMA-JC		
CHECKED BY	DATE	MATERIAL NO.		
SSS	2002/03/07	SEE TABLE		
APPROVED BY	DATE	DOCUMENT NO.		
GMH	2002/03/07	SD-73251-083		
SIZE		SHEET NO.		
C		1 OF 1		

MOLEX INCORPORATED

THIS DRAWING CONTAINS INFORMATION THAT IS PROPRIETARY TO MOLEX INCORPORATED AND SHOULD NOT BE USED WITHOUT WRITTEN PERMISSION