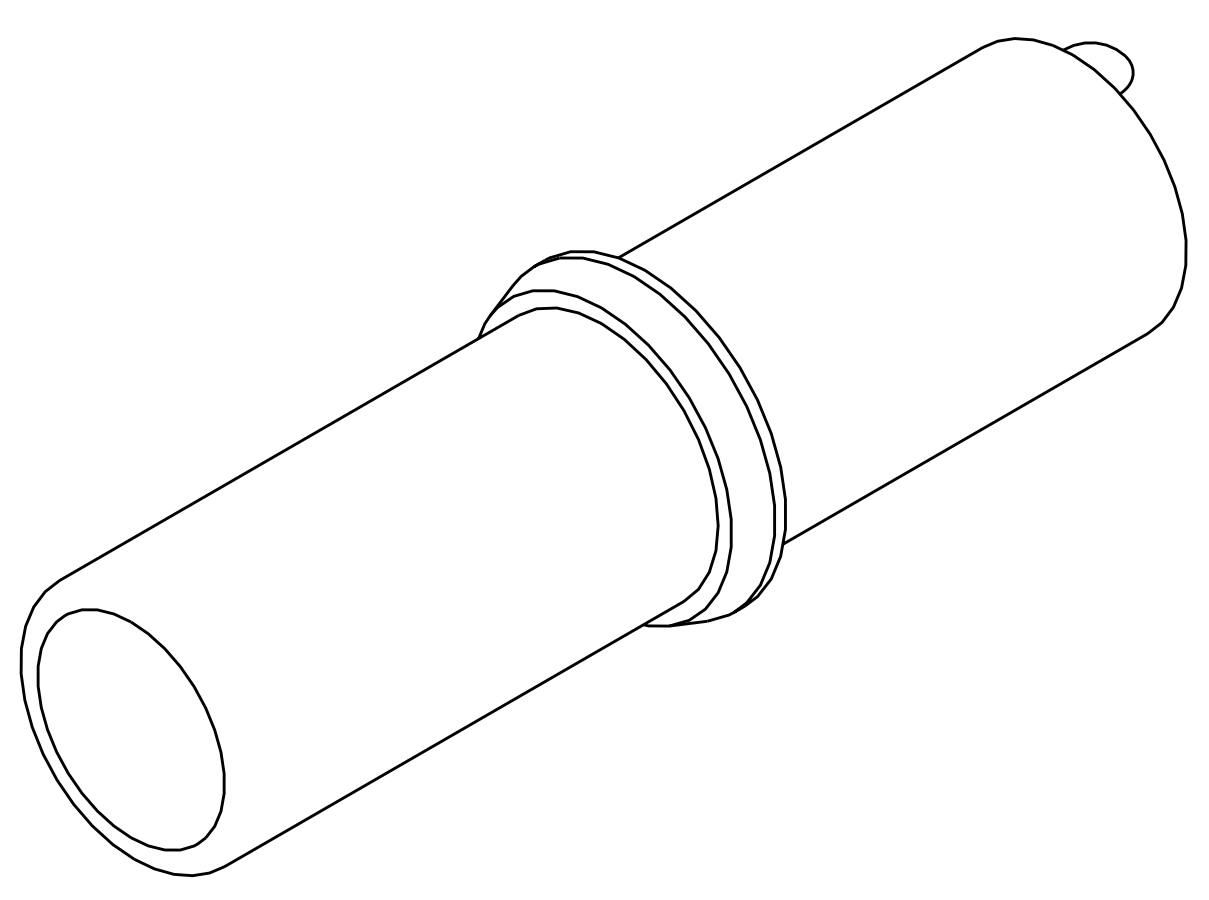
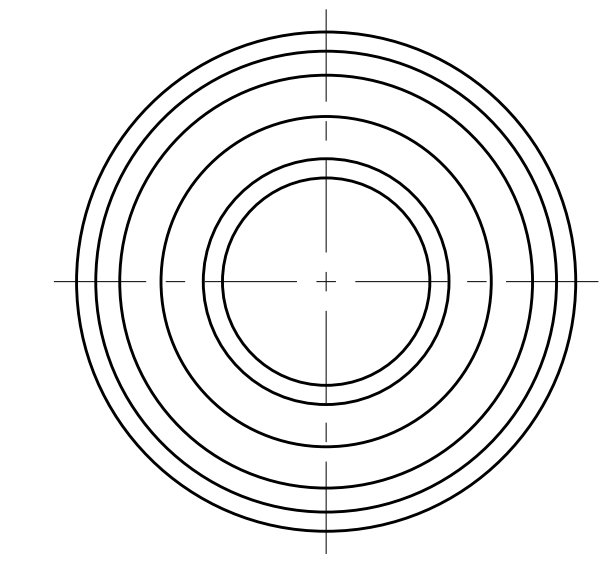
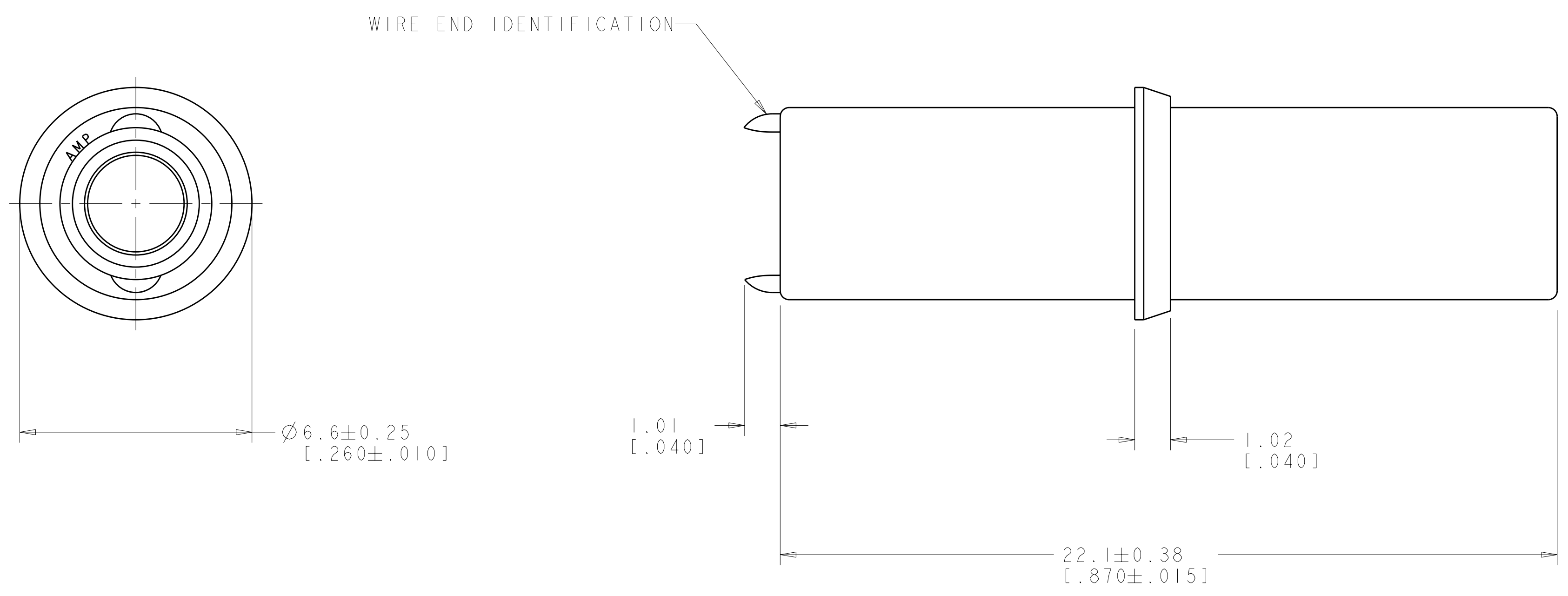


LOC	DIST	REVISIONS			
CM	00	REV	DATE	DWN	APVD
		G	REVIS PER 063B-0222-01	19FEB2002	KW DC
		G1	ECO-08-005427	03MAR2008	KW CC

- 2. MATES WITH 480357.
- ③ A 2.68 [.105] DIAMETER PIN MUST ENTER CAVITY WITH A MAX FORCE OF 1.39 NEWTONS (5 OUNCES).
- ④ 0.13 [.005] MAX FLASH PERMITTED.



SCALE 8:1

METRIC

1-480358-0	NYLON	NATURAL	0.014 IN ³
PART NUMBER	MATERIAL	COLOR	VOLUME

<small>THIS DRAWING IS UNPUBLISHED. RELEASED FOR PUBLICATION BY TYCO ELECTRONICS CORPORATION. ALL RIGHTS RESERVED. THIS IS SUBJECT TO CHANGE WITHOUT NOTICE AND WITHOUT OBLIGATION. SHOULD BE CONTACTED FOR THE LATEST REVISION.</small>		DWN R. WHITAKER 19FEB2002 CHK D. COLEY 19FEB2002 APVD D. COLEY 19FEB2002	Tyco Electronics Harrisburg, PA 17105-3608
DIMENSIONS: mm [INCHES]		TOLERANCES UNLESS OTHERWISE SPECIFIED: 9 PLC ± 1 PLC ± 5 PLC ±0.13(.005) 4 PLC ± ANGLES ±40°/30° FINISH -	
MATERIAL: SEE TABLE		PRODUCT SPEC APPLICATION SPEC WEIGHT CUSTOMER DRAWING	
NAME SINGLE CIRCUIT MATE-N-LOK™ PLUG		SIZE CAGE CODE DRAWING NO A 00779 C=480358	
RESTRICTED TO		SCALE 10:1 SHEET 1 OF 1 REV G1	