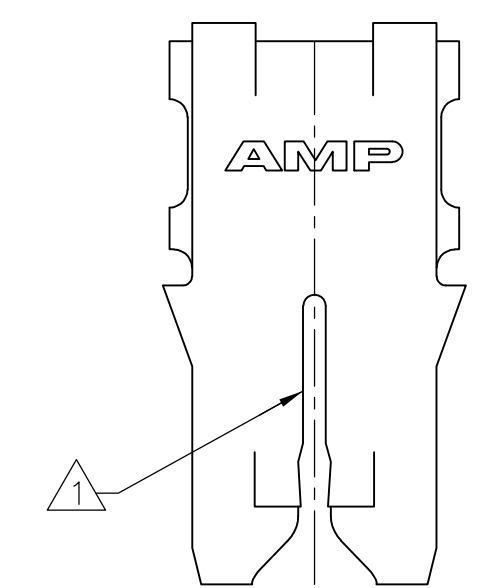
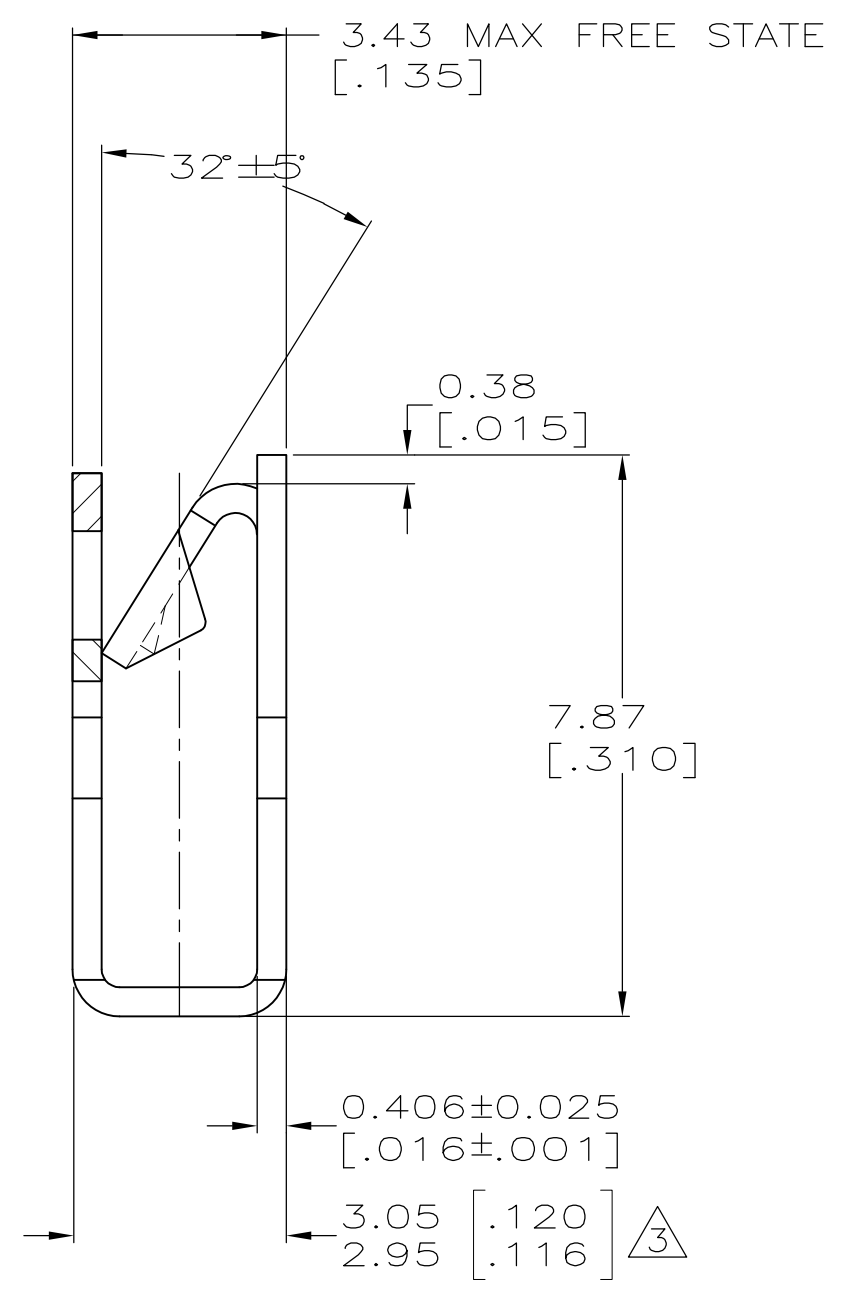
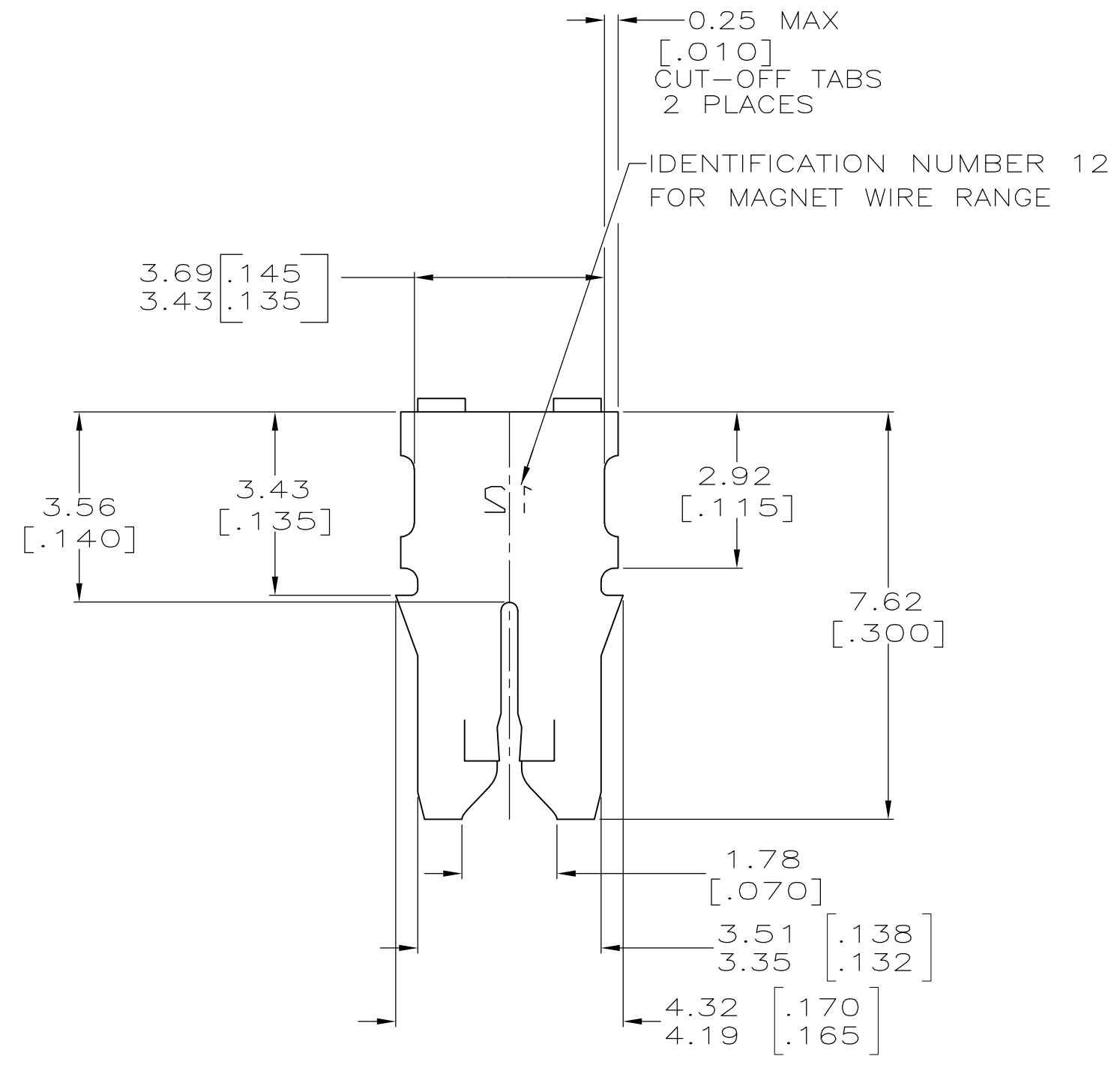
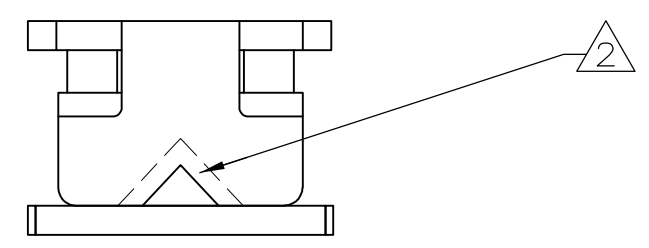


LOC	DIST	REVISIONS			
P	LTR	DESCRIPTION	DATE	DWN	APVD
AF	50	B1	REVISED PER ECR-12-022060	17FEB12	CX LL

- ① SLOT ACCEPTS 0.45-0.64mm [#25-#22] AWG COPPER MAGNET WIRE. 2 WIRES OF THE SAME SIZE PER SLOT EXCEPT 0.64mm [#22] AWG WHICH IS ONE WIRE ONLY
- ② POKE-IN ACCEPTS A 0.50-0.90mm² [#20-#18] AWG SOLID OR FUSED STRANDED LEAD WIRE
- ③ MEASURE WHEN FREE STATE IS COMPRESSED TO 2.95 [.116] MAX.



OBSOLETE	-1217757-1-
	PART NUMBER

THIS DRAWING IS A CONTROLLED DOCUMENT.		DWN	30NOV2001	AMP AMP Incorporated Harrisburg, PA 17105-3608
		CHK	30NOV2001	
DIMENSIONS: mm[INCHES]		KURT A. RANDOLPH		NAME TERMINAL, POKE-IN, LOOSE PIECE, 300 SERIES MAG-MATE
TOLERANCES UNLESS OTHERWISE SPECIFIED:		KURT A. RANDOLPH		
0 PLC ±-		APVD 30NOV2001		PRODUCT SPEC 108-2012
1 PLC ±-		KURT A. RANDOLPH		
2 PLC ±-		APVD 30NOV2001		APPLICATION SPEC 114-2046
3 PLC ±0.25 [.010]		KURT A. RANDOLPH		
4 PLC ±-		APVD 30NOV2001		SIZE
ANGLES ±-		KURT A. RANDOLPH		CAGE CODE
MATERIAL	FINISH	WEIGHT	DRAWING NO	
4M BRASS	0.002032[.000080]	-	A2	00779
	MIN TIN PLATE		1217757	
CUSTOMER DRAWING			SCALE	RESTRICTED TO
			10:1	-
			SHEET	REV
			1 OF 1	B1

1217757