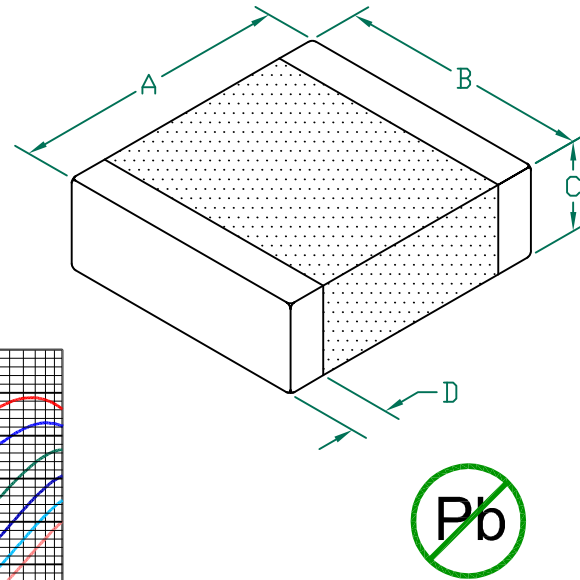


# HI2220T101R-10

**UNCONTROLLED DOCUMENT**

PHYSICAL DIMENSIONS:

|   |             |               |
|---|-------------|---------------|
| A | 5.59 [.220] | + 0.51 [.020] |
| B | 5.08 [.200] | + 0.25 [.010] |
| C | 1.80 [.071] | + 0.25 [.010] |
| D | 0.76 [.030] | + 0.25 [.010] |



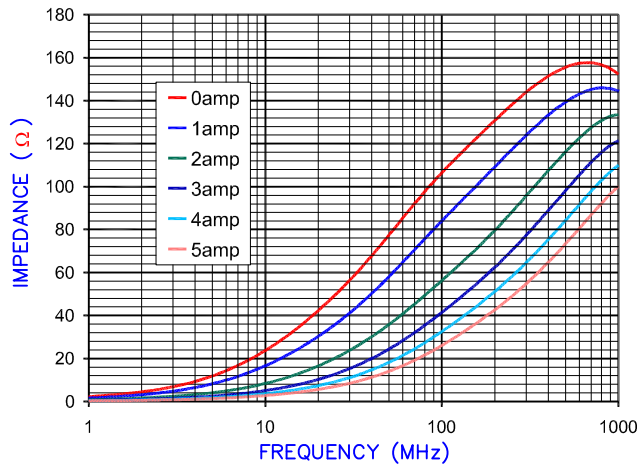
ELECTRICAL CHARACTERISTICS:

|         | Z @ 100MHz<br>( $\Omega$ ) | DCR<br>( $\Omega$ ) | Rated Current |
|---------|----------------------------|---------------------|---------------|
| Nominal | 100                        |                     |               |
| Minimum | 75                         |                     |               |
| Maximum | 125                        | 0.006               | 6000 mA       |

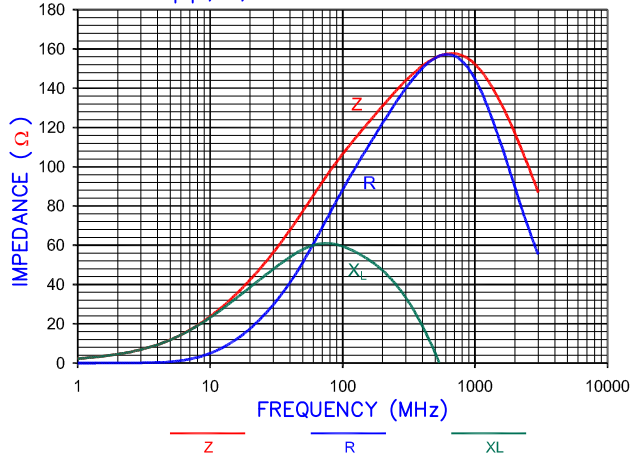
NOTES: UNLESS OTHERWISE SPECIFIED

1. TAPED AND REELED per CURRENT EIA SPECIFICATIONS 13" REELS, 2,000 PCS/REEL.
2. TERMINATION FINISH IS 100% TIN.
3. COMPONENTS SHOULD BE ADEQUATELY PREHEATED BEFORE SOLDERING.
4. OPERATEING TEMPERATURE TEMP:  $-40^{\circ}\text{C} \sim +125^{\circ}\text{C}$  (INCLUDING SELF-HEATING)

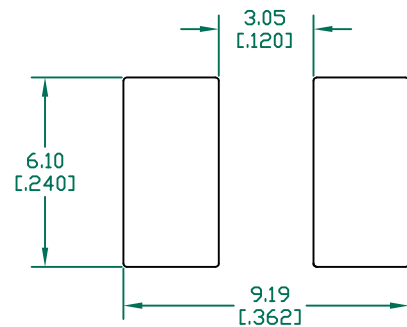
Z vs. FREQUENCY  
IMPEDANCE UNDER DC BIAS



|Z|, R, AND XL vs. FREQUENCY

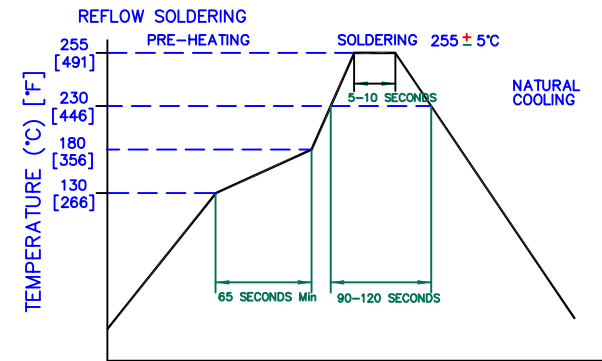


LAND PATTERNS FOR REFLOW SOLDERING



(For wave soldering, add 0.762 [.030] to this dimension)

RECOMMENDED SOLDERING CONDITIONS



| DIMENSIONS ARE IN mm [INCHES].      |  |          |     | This print is the property of Laird Technologies and is loaned in confidence subject to return upon request and with the understanding that no copies shall be made without the written consent of Laird Technologies. All rights to design or invention are reserved. |                    |               |  |
|-------------------------------------|--|----------|-----|--|--------------------|---------------|--|
|                                     |  |          |     | <b>Laird</b>   |                    |               |  |
| PROJECT/PART NUMBER: HI2220T101R-10 |  |          |     | REV: C   | PART TYPE: CO-FIRE | DRAWN BY: TMB |  |
| C                                   | ADD OPERATING TEMPERATURE UPDATE LAIRD LOGO AND REFLOW CURVE | 08/05/13 | QU  |  |                    |               |  |
| B                                   | UPDATE COMPANY LOGO ADD ROHS SYMBOL                          | 02/14/08 | JRK | DATE: 04/03/04   | SCALE: NTS         | SHEET: 2 of 2 |  |
| A                                   | ORIGINAL DRAFT   | 04/03/04 | TMB | CAD #  | TOOL #             |               |  |
| REV                                 | DESCRIPTION  | DATE     | INT | HI2220T101R-10-C   |                    |               |  |