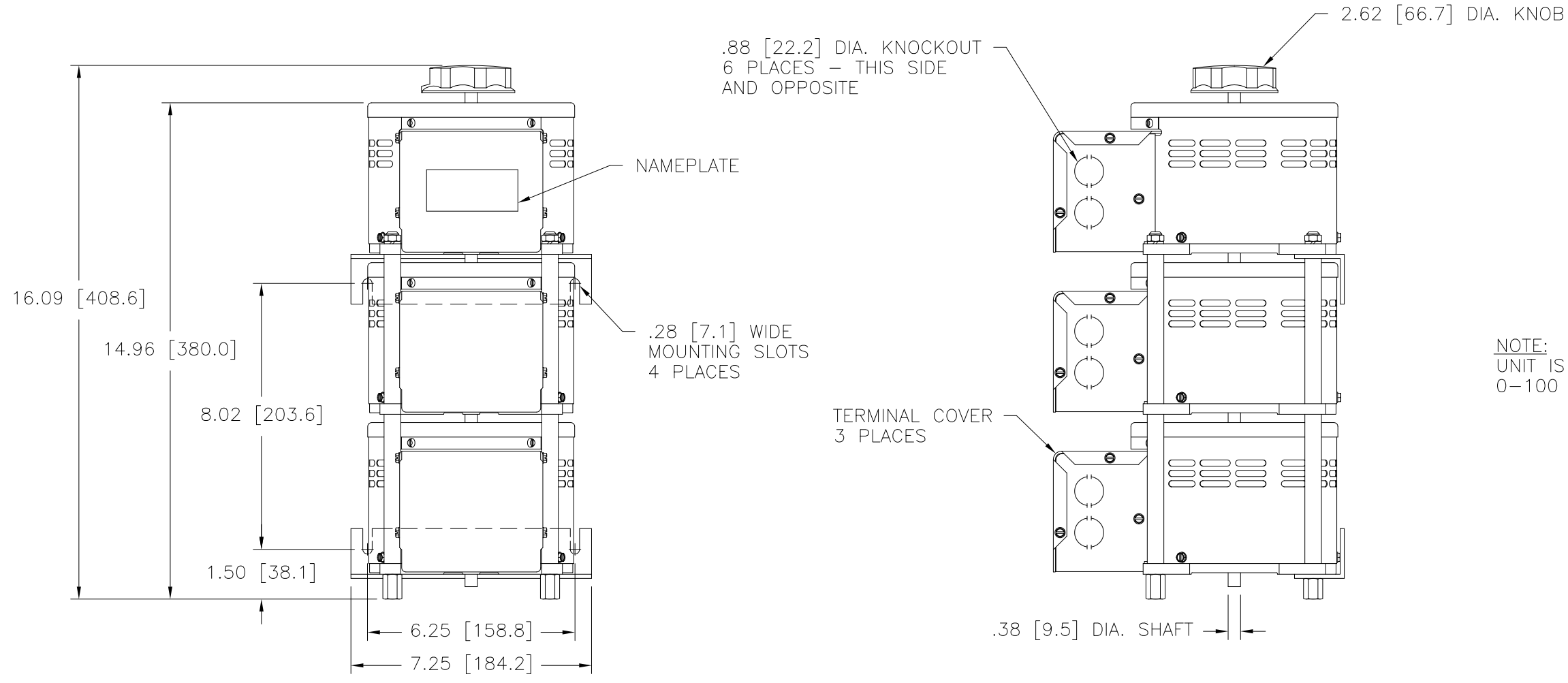
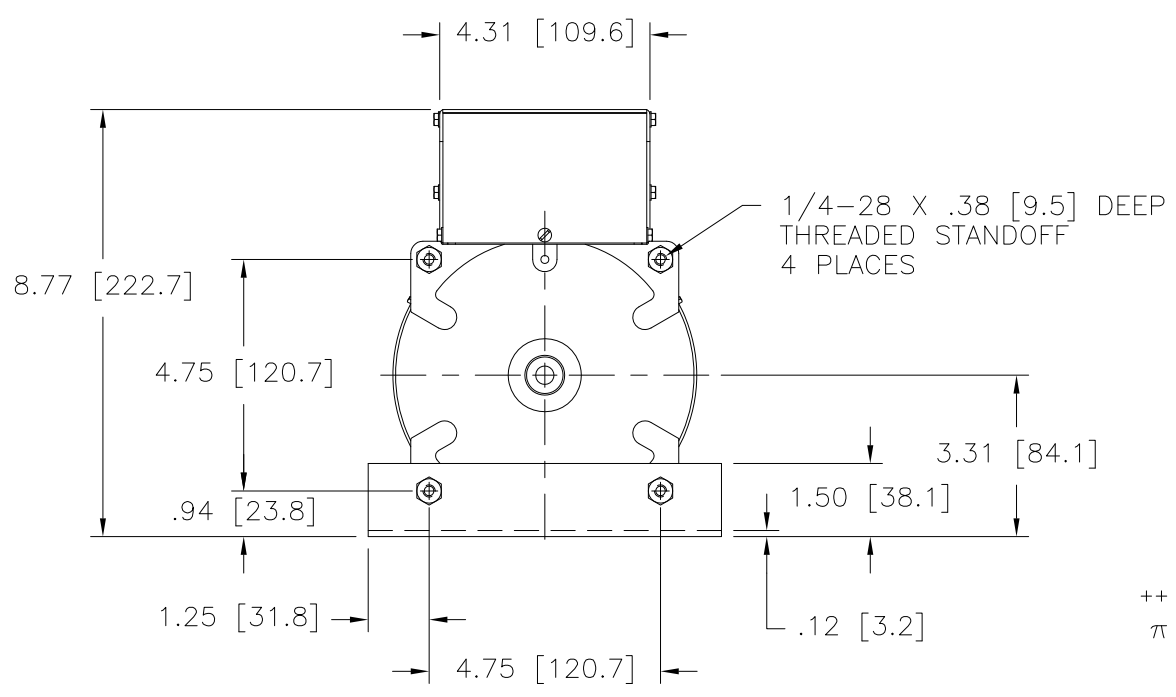
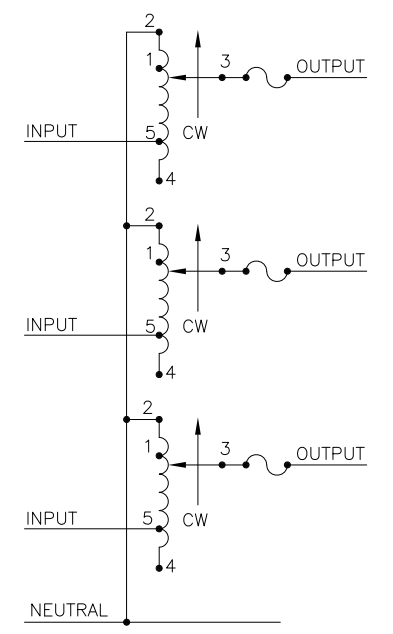


DWG. NO.	031-3675		
REVISIONS			
SYM.	E.C.N.	DATE	APVD.
A	24471	1/8/2001	REDRAWN ON CAD
B	25804	10/16/06	ADDED CSA LOGO NOTE
C	28069	12/18/14	REMOVE CSA LOGO NOTE



NOTE:
UNIT IS SUPPLIED WITH A 3.50 [95.2] DIA.
0-100 GRADUATED DIAL PLATE FOR PANEL MOUNTING.



++ LINE TO LINE VOLTAGE.

⌘ IF GANGED UNITS ARE USED IN A SYSTEM THAT ORDINARILY HAS A COMMON NEUTRAL OR GROUND BETWEEN SOURCE AND LOAD, THE NEUTRAL OR GROUND MUST BE CONNECTED TO THE COMMON TERMINALS OF THE VARIABLE TRANSFORMER ASSEMBLY. IF THE SYSTEM HAS NO NEUTRAL, THE LOAD MUST BE BALANCED OR THE TRANSFORMER WILL BE DAMAGED.

■ JUMPER PROVIDED IN STANDARD COMMON POSITION AND SHOULD BE MOVED OR REMOVED AS REQUIRED.

SPECIFICATIONS											
WIRING	INPUT		OUTPUT				SHAFT ROTATION TO INCREASE VOLTAGE	TERMINAL CONNECTIONS			
	VOLTS	HERTZ	VOLTS	CONSTANT CURRENT LOAD MAX. AMPS	CONSTANT IMPEDANCE LOAD MAX. KVA	MAX. AMPS		MAX. KVA	FOR INCREASING VOLTAGE AS VIEWED FROM BASE END ■		
THREE PHASE WYE ⌘	240	50/60	0-240	15	6.22	20	8.30	CW	2-2-2	4-4-4	3-3-3
		60	0-280	15	7.26	—	—	CCW	4-4-4	2-2-2	3-3-3
	++	60	0-280	15	7.26	—	—	CW	1-1-1	4-4-4	3-3-3
									5-5-5	2-2-2	3-3-3

UNLESS OTHERWISE SPECIFIED, TOLERANCE IS ± DECIMALS .XX .XXX .005 HOLES .06 .005 .01 ANGLES 1° DRAFT 1-1/2° UNITS IN [mm]

MATERIAL: ALL DIMENSIONS APPLY AFTER PLATING

TITLE: SPEC. CONTROL DRAWING
VARIABLE TRANSFORMER
MODEL: 1510CT-3

DRAWN BY: S.A. SMITH DATE: 1/8/2001 FIRST USED ON: 1510CT-3 DO NOT SCALE DWG.

CHECKER: DATE: WEIGHT APPROX: 55.50 LBS CASE CODE: 83008 DWG. NO.: 031-3675

ENGINEER: DATE: SCALE: .50=1 SHEET 1 OF 1

STACO ENERGY PRODUCTS CO.
A Components Corporation of America Company
301 Gadsis Boulevard Dayton, Ohio 45403 USA