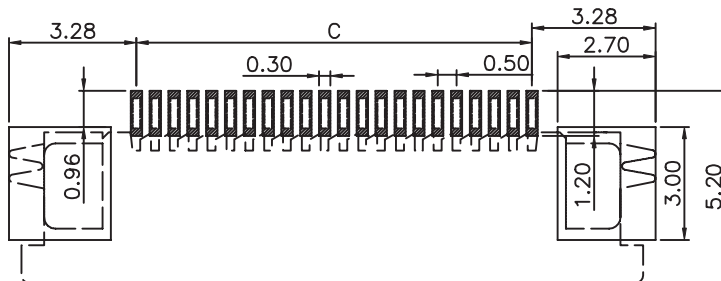
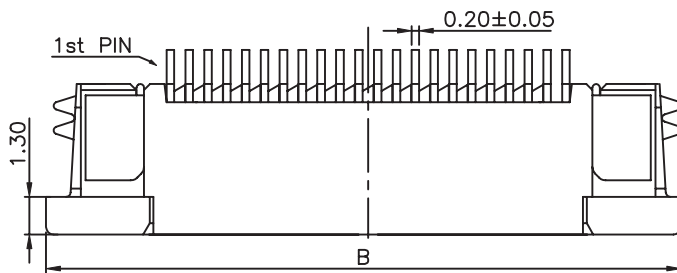
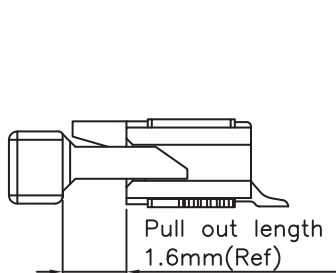
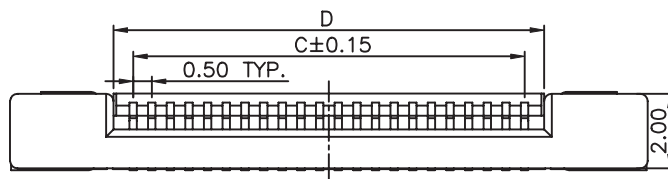
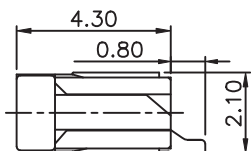
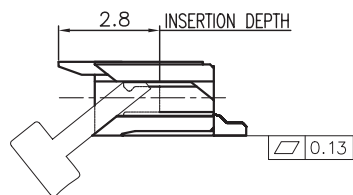


APPLICABLE FFC LAYOUT



RECOMMENDED PCB LAYOUT - COMPONENT VIEW



MATERIAL:  
 HOUSING MATERIAL: LCP  
 COLOR: IVORY  
 ACTUATOR MATERIAL: LCP  
 COLOR: BLACK  
 CONTACT MATERIAL: PHOSPOR BRONZE  
 CONTACT PLATING: 100µ" TIN OVER 50µ" NI  
 QUALITY CLASS: 25 MATING CYCLES\*

ENVIRONMENTAL:  
 OPERATING TEMPERATURE: -25°C UP TO 85°C  
 FLAMABILITY RATING: UL94-V0  
 COMPLIANCE: LEAD FREE AND ROHS

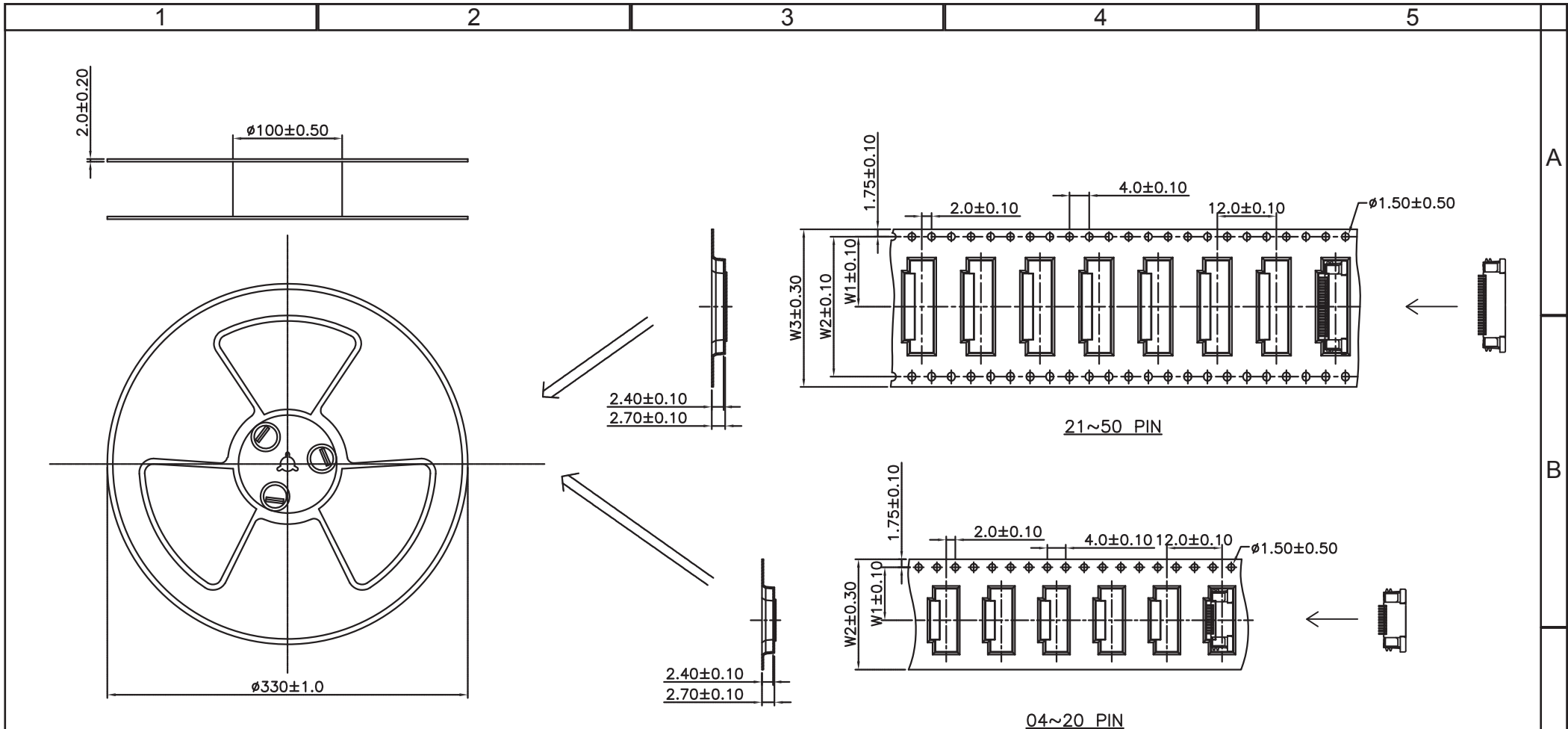
ELECTRICAL:  
 CURRENT RATING: 0.5 A  
 WORKING VOLTAGE: 50 V  
 INSULATION RESISTANCE: >100 MOHM  
 DIELECTRIC WITHSTANDING VOLT.: 250 VAC/MN  
 CONTACT RESISTANCE: 20 MOHM MAX

STANDARD  
 AIA CERTIFIED: E323964 / MODEL NUMBER 687  
 FOLLOWED BY 1, FOLLOWED BY 04 THRU 50, FOLLOWED  
 BY 140 OR 145, FOLLOWED BY NUMERIC DIGITS

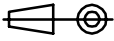

SOLDERING:  
 REFLOW PROCESS ONLY

DIMENSION:  
 B = 0.50 x NB PINS + 6.50  
 C = 0.50 x (NB PINS - 1)  
 D = 0.50 x (NB PINS + 1) + 0.10  
 E = 0.50 x (NB PINS + 1)

RoHS Compliant		*NOTE: theoretical value related to the Tin plating; however, due to the sensitive actuator, we recommend not to make more than 1 or 2 cycles in order to maintain acceptable mechanical & electrical conditions			
				PROJECTION: 	GENERAL TOLERANCE .X = +/- 0.2 .XX = +/- 0.15
K	09-MAY-16	TPK UPDATE	AK	APPROVAL: GMo	 <b>WÜRTH ELEKTRONIK</b>
J	07-JAN-16	DRAWING	AK		
I	01-JUN-15	TPK UPDATE	QL		
H	13-DEC-13	TPK UPDATE	QL		
REV	DATE	FILE	BY		
				UNIT: MM	DESCRIPTION: 0.5MM ZIF FPC HORIZONTAL TOP CONTACT TYPE - TAPE & REEL PACKAGING
				SCALE:	
				SHEET: 1/3	WERI PART NO: 687 1xx 140 22
				DRAW: PEARL	
					SIZE <b>A4</b>



NOTE: 1. 04~06PIN: DIM W1:7.5mm W2:16.0mm PH:12mm  
 07~20PIN: DIM W1:11.5mm W2:24.0mm PH:12mm  
 21~30PIN: DIM W1:14.2mm W2:28.4mm W3:32.0mm PH:12mm  
 31~50PIN: DIM W1:20.2mm W2:40.4mm W3:44.0mm PH:12mm  
 2. 2000PCS/REEL

RoHS Compliant				PROJECTION: 	GENERAL TOLERANCE .X = +/- 0.2 .XX = +/- 0.15		DESCRIPTION: 0.5MM ZIF FPC HORIZONTAL TOP CONTACT TYPE - TAPE & REEL PACKAGING	SIZE <b>A4</b>
G								
F								
E								
D								
C				APPROVAL: Gmo	UNIT: MM	WERI PART NO: 6871 xx 140 22		
B				SCALE:				
A				SHEET: 2/3				
REV	DATE	FILE	BY	DRAW: QL				

1

2

3

4

5

## Cautions and Warnings:

This electronic component is designed and developed with the intention for use in general electronics equipments.

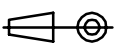

Before incorporating the components into any equipments in the field such as aerospace, aviation, nuclear control, submarine, transportation, (automotive control, train control, ship control), transportation signal, disaster prevention, medical, public information network etc. where higher safety and reliability are especially required or if there is possibility of direct damage or injury to human body, Würth Elektronik must be asked for a written approval.

In addition, even electronic component in general electronic equipments, when used in electrical circuits that require high safety, reliability functions or performance, the sufficient reliability evaluation-check for the safety must be performed before by the user before usage.

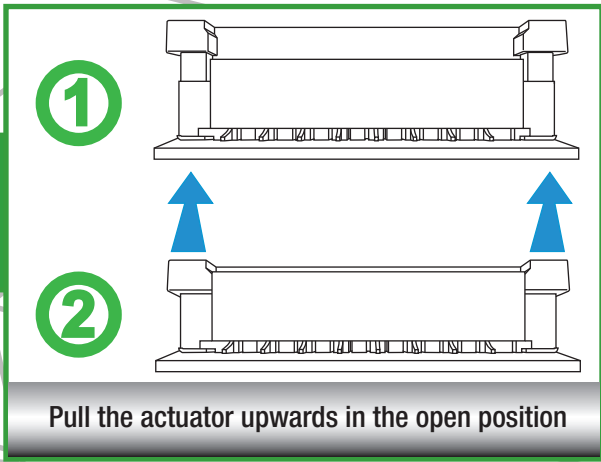
A

B

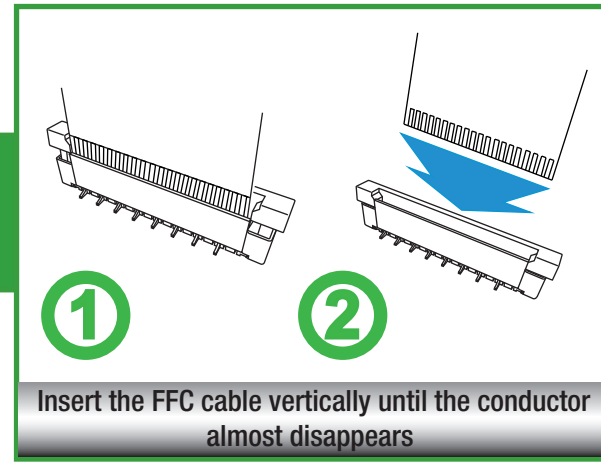
C

RoHS Compliant				PROJECTION: 	GENERAL TOLERANCE .X = +/- 0.2 .XX = +/- 0.15	 <b>WÜRTH ELEKTRONIK</b>	DESCRIPTION: DISCLAIMER	SIZE <b>A4</b>
G								
F								
E								
D								
C				APPROVAL: JC	UNIT: MM	WERI PART NO: DISCLAIMER	SIZE <b>A4</b>	
B				SCALE:				
A	10-SEP-14	PDF	QL	SHEET: 3/3				
REV	DATE	FILE	BY	DRAW: QL				

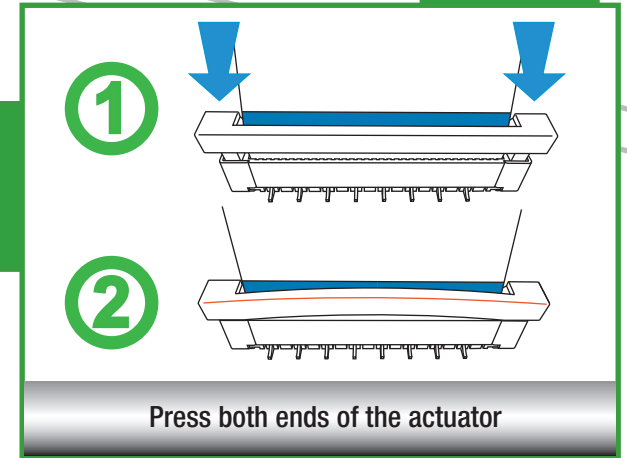
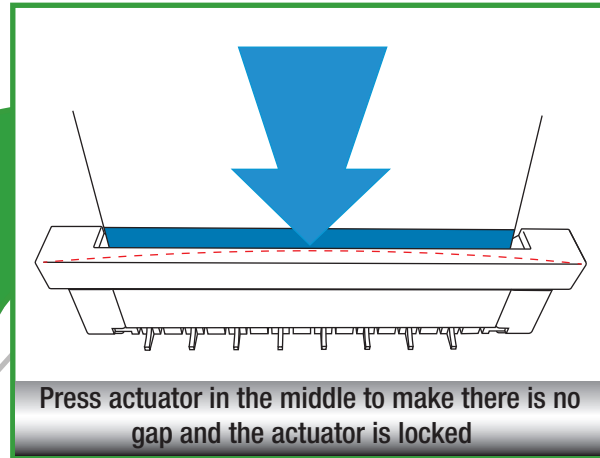
D

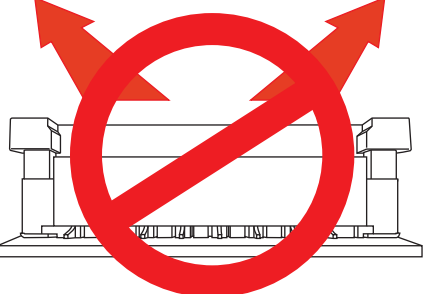


A



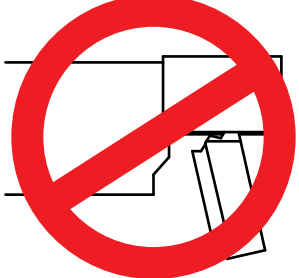
B



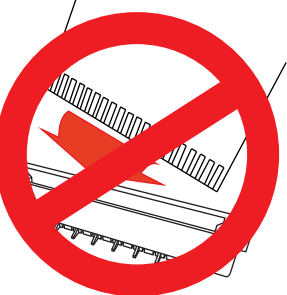


**Pull the actuator as horizontally as possible by a proper force**

**A**

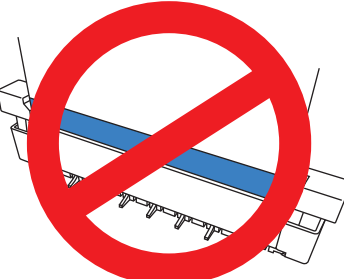


**Do not pull the actuator too far otherwise the stop limit (hook on actuator) may be broken**



**Do not keep FFC inclined when insertion**

**B**



**Don't keep conductor toward actuator**