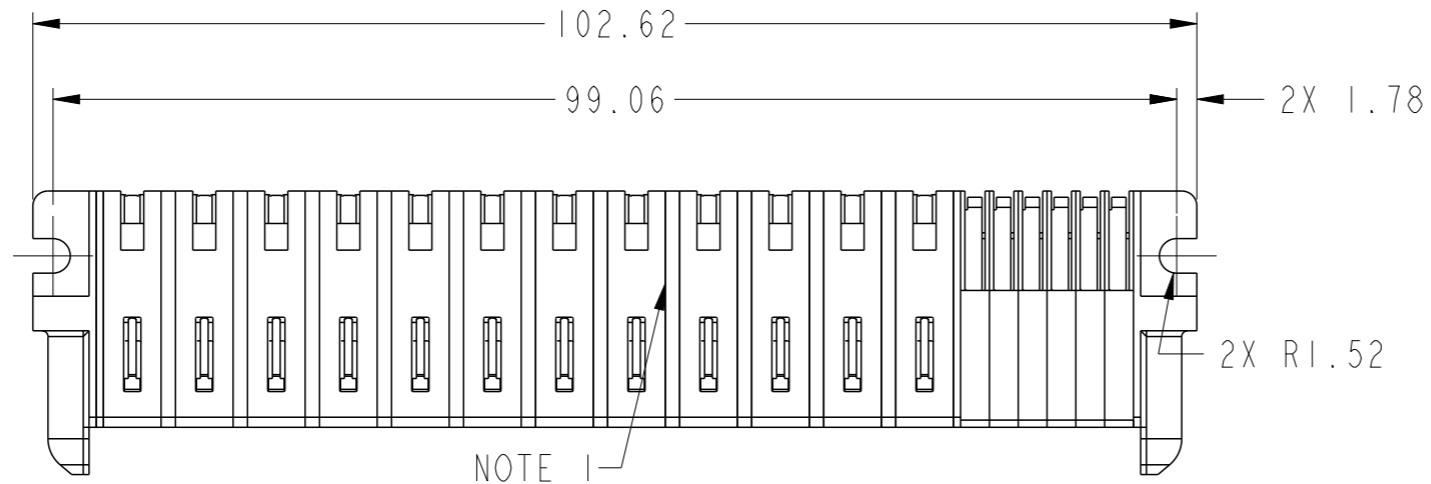
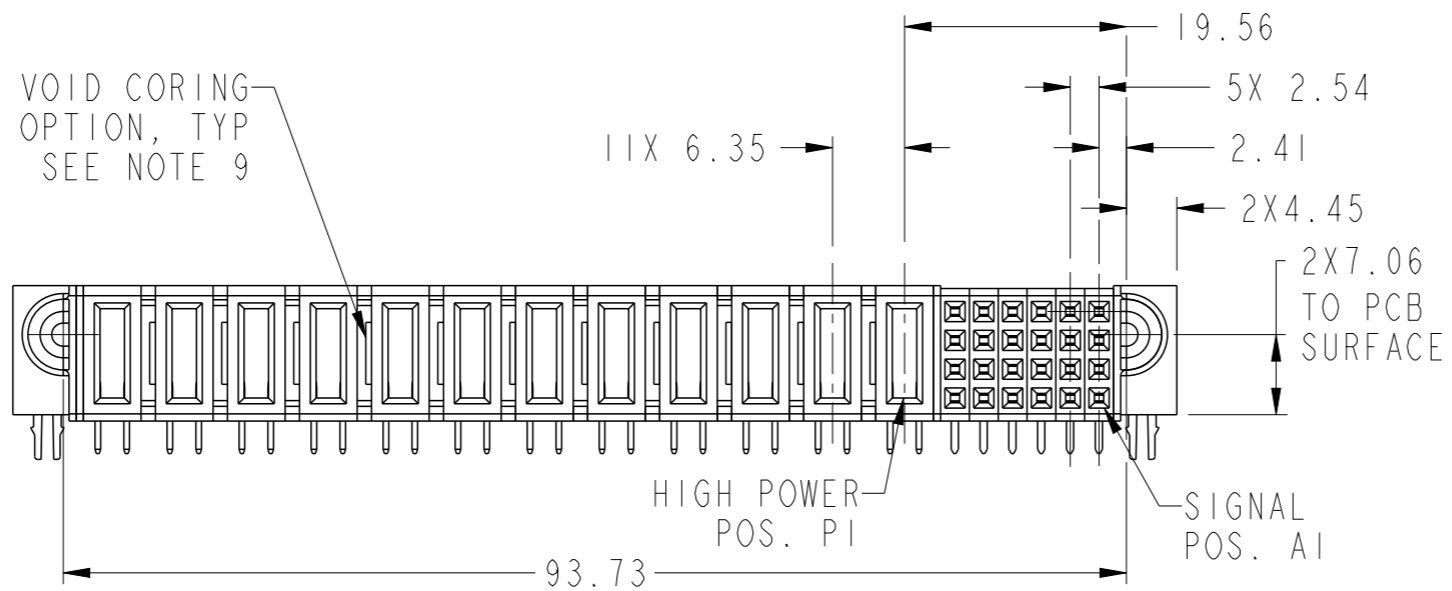


PRODUCT NUMBER SEE SHEET 2



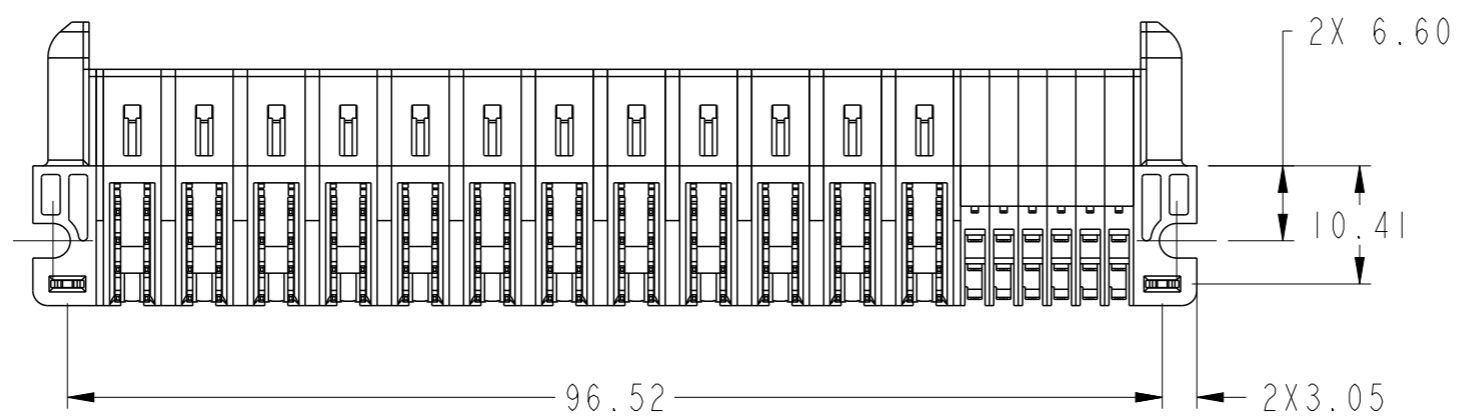
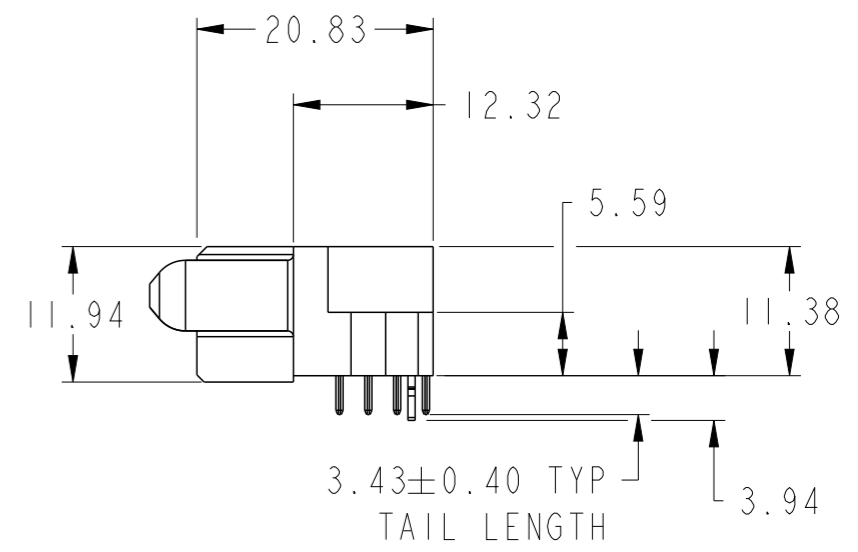
NOTE 1



VOID CORING
OPTION, TYP
SEE NOTE 9

HIGH POWER
POS. PI

SIGNAL
POS. AI

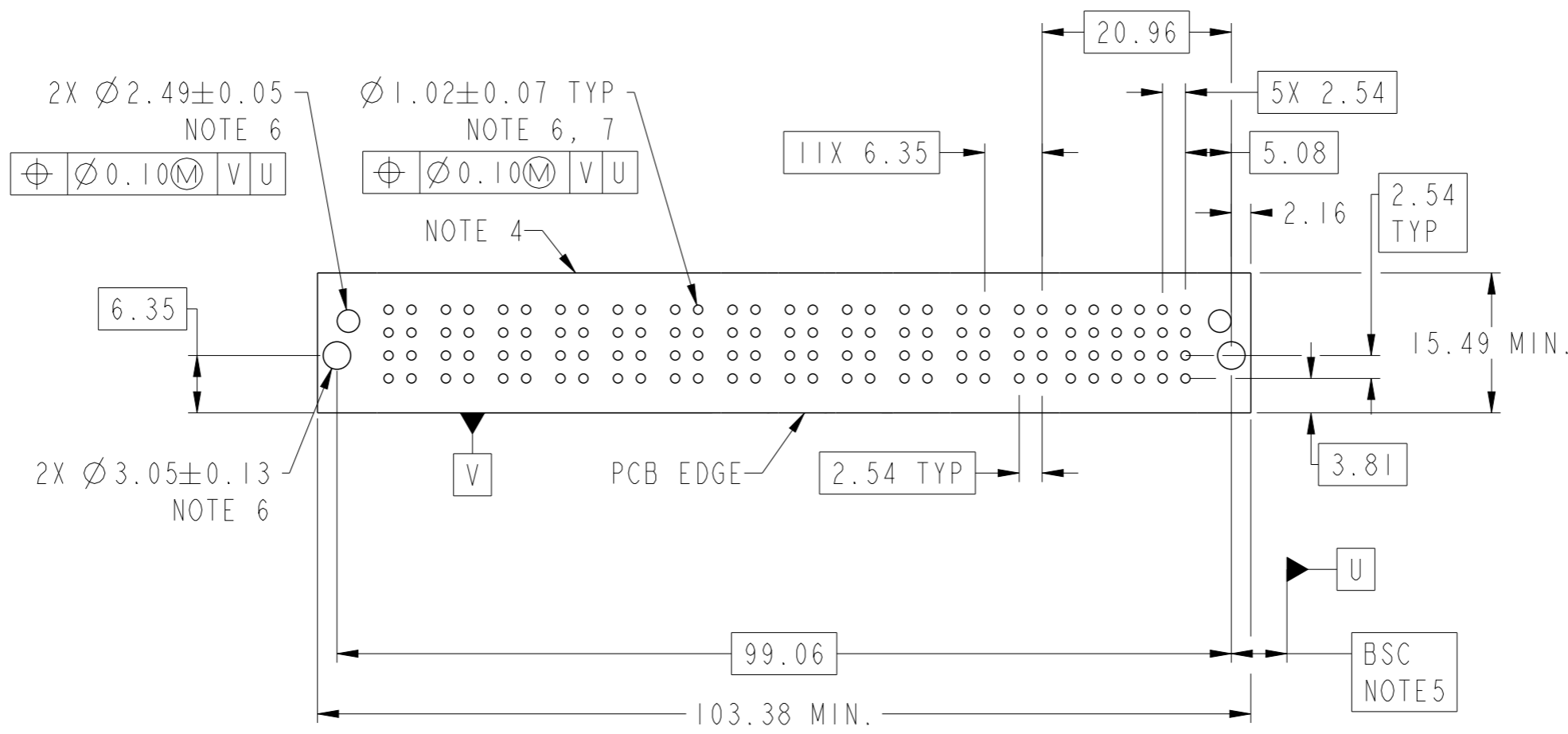


spec ref	*	dr	Peng-Bing Fu	2012/10/31	projection	MM	size	A3	scale	3:2
tolerance std	ASME Y14.5	eng	Peng-Bing Fu	2013/03/12			ecn no	-	rel level	Released
TOLERANCES UNLESS OTHERWISE SPECIFIED		chr	-	-			product family	PwrBlade+	rel level	Released
surface	✓	appr	Pei-Ming Zheng	2013/03/12			part no	12HP + 24S	dwg no	10106126-C006001
ASME Y14.5	linear	0.X	±0.5	www.fci.com	cat. no.	Product - Customer Drw	rev	A	sheet 1 of 3	
	angular	0°	±2°							

Copyright FCI.



CODE	DESCRIPTION
E	STD SIGNAL CONTACT, ROW A
F	STD SIGNAL CONTACT, ROW B
G	STD SIGNAL CONTACT, ROW C
H	STD SIGNAL CONTACT, ROW D
H3	STD HIGH POWER CONTACT(3.43)
HA	METAL HOLD DOWN



dr	Peng-Bing Fu	2012/10/31	projection	MM	size	A3	scale	3:2
eng	Peng-Bing Fu	2013/03/12			ecn no		-	
chr	-	-			rel level		Released	
appr	Pei-Ming Zheng	2013/03/12	product family		PwrBlade+		rel level	
			title 12HP + 24S RA STB RECEPTACLE			dwg no 10106126-C006001		rev A
www.fci.com			cat. no.		Product - Customer Drw			sheet 2 of 3

Copyright FCI.

NOTES:

- 1) "FCI", PART NUMBER AND DATE CODE TO BE MARKED ON THIS SURFACE.
THE MARK CAN BE OMITTED IF THERE IS NOT ENOUGH SPACE ON THIS SURFACE.
- 2) MATERIALS:
-HOUSING - GLASS FILLED WITH HIGH TEMP THERMOPLASTIC, UL94V-0.
-SIGNAL CONTACT - COPPER ALLOY.
-POWER CONTACT - HIGH CONDUCTIVITY COPPER ALLOY.
- 3) PLATING SPECIFICATION REFER TO FCI 10116351
- 4) DENOTES CONNECTOR KEEP OUT ZONE.
- 5) DATUM AND BASIC DIMENIONS WERE ESTABLISHED BY CUSTOMER.
- 6) ALL HOLE DIAMETERS ARE FINISHED HOLE SIZES.
- 7) 1.15 ± 0.025 MM DRILLED HOLE PLATED WITH 0.00762MM MIN Sn
OVER 0.0254-0.0762MM Cu PLATING TO ACHIEVE A 1.02 ± 0.07 MM HOLE.
- 8) PRODUCT SPECIFICATION REFER TO FCI GS-12-658.
APPLICATION SPECIFICATION REFER TO FCI GS-20-141.
PRODUCT PACKAGED IN TRAYS, REFER TO FCI GS-14-1502.
- 9) THE VOID CORING IN BETWEEN POWER MODULES, SIGNAL
MODULES AND END MODULES ARE OPTIONAL AND THE SHAPE
MAY BE DIFFERENT FOR OPTIMIZE THE MOLDING PROCESS. THE
VOID CORING WILL NOT EFFECT TO PRODUCT FUNCTION.

dr	Peng-Bing Fu	2012/10/31	projection 	MM 	size	A3	scale	3:2
eng	Peng-Bing Fu	2013/03/12			ecn no	-		
chr	-	-	product family	PwrBlade+	rel level	Released		
appr	Pei-Ming Zheng	2013/03/12			title 12HP + 24S RA STB RECEPTACLE	dwg no 10106126-C006001	rev A	www.fci.com
cat. no.			Product - Customer Drw			sheet 3 of 3		



Copyright FCI.