

2 CIRCUIT								
PART NUMBER	HOUSING USED	TERMINAL VOID POSITION	REMOVED POSITION KEYS	CONFIGURATION	FIRST ENDWALL	LAST ENDWALL	POLARIZING RIB BETWEEN	COLOUR STRIPE
93037-9001	93047-0022	NONE	NONE		OPEN	OPEN	NONE	NONE
93037-9002	93047-0122	NONE	NONE		OPEN	OPEN	CCT 1&2	NONE
93037-9003	93047-0022	NONE	a		OPEN	OPEN	NONE	NONE
93037-9004	93047-0022	NONE	b		OPEN	OPEN	NONE	NONE
93037-9005	93047-0022	NONE	c		OPEN	OPEN	NONE	NONE
93037-9006	93047-0022	NONE	a b c		OPEN	OPEN	NONE	NONE
93037-9007	93047-0002	NONE	NONE		SLOTTED	SLOTTED	NONE	NONE
93037-9008	93047-0042	NONE	a c		OPEN	SLOTTED	NONE	NONE

NOTES

- + DENOTES TERMINAL VOIDED POSITION
⊕ DENOTES TERMINAL LOADED POSITION
| DENOTES POLARIZING RIB POSITION
⊠ DENOTES LATCH POSITION
- MOLEX HOUSING NO. FOR REFERENCE ONLY

THIS DRAWING CONTAINS INFORMATION THAT IS PROPRIETARY TO MOLEX ELECTRONIC TECHNOLOGIES, LLC AND SHOULD NOT BE USED WITHOUT WRITTEN PERMISSION

NX - RELEASE EC NO: 106981 DRWN: CFISHER01 CHKD: REV / APPR: BRUTTLE	2016/05/25	2016/10/14	GENERAL TOLERANCES (UNLESS SPECIFIED)	DIMENSION UNITS	SCALE			
			ANGULAR TOL ± 0.5 °	MM	1:1			
	4 PLACES ±		CFISHER01	DRWN BY	DATE			
	3 PLACES ± 0.05			CHK'D BY	DATE			
	2 PLACES ± 0.1		BRUTTLE	APPR BY	DATE			
1 PLACE ± 0.2								
0 PLACES ±								
DRAFT WHERE APPLICABLE MUST REMAIN WITHIN DIMENSIONS			DRAWING SIZE	THIRD ANGLE PROJECTION		SERIES	MATERIAL NUMBER	CUSTOMER
A			A2			93037	SEE CHARTS	
			DOCUMENT NUMBER		DOC TYPE	DOC PART	SHEET NUMBER	
			930370001		PSD	000	2 OF 11	

3 CIRCUIT

PART NUMBER	HOUSING USED	TERMINAL VOID POSITION	REMOVED POSITION KEYS	CONFIGURATION	FIRST ENDWALL	LAST ENDWALL	POLARIZING RIB BETWEEN	COLOUR STRIPE
93037-0001	93047-0003	NONE	NONE		SLOTTED	SLOTTED	NONE	NONE
93037-0251	93047-0223	NONE	a d		OPEN	OPEN	2&3	NONE
93037-0003	93047-0203	NONE	NONE		SLOTTED	SLOTTED	2&3	NONE
93037-0252	93047-0023	NONE	a b c		OPEN	OPEN	NONE	NONE
93037-0253	93047-0123	NONE	b		OPEN	OPEN	1&2	NONE
93037-0301	93047-0043	NONE	a d		OPEN	SLOTTED	NONE	NONE
93037-0004	93047-0203	NONE	a d		SLOTTED	SLOTTED	2&3	NONE
93037-0005	93047-0203	NONE	a d		SLOTTED	SLOTTED	2&3	BLUE
93037-0254	93047-0223	NONE	NONE		OPEN	OPEN	2&3	NONE
93037-0255	93047-0023	NONE	b c		OPEN	OPEN	NONE	NONE
93037-0256	93047-0023	NONE	a d		OPEN	OPEN	NONE	NONE
93037-0302	93047-0043	NONE	b c		OPEN	SLOTTED	NONE	NONE
93037-0303	93047-0043	NONE	NONE		OPEN	SLOTTED	NONE	NONE
93037-0257	93047-0023	NONE	NONE		OPEN	OPEN	NONE	NONE
93037-0259	93047-0123	NONE	NONE		OPEN	OPEN	1&2	NONE
93037-0260	93047-0223	NONE	d		OPEN	OPEN	2&3	NONE
93037-0261	93047-0223	NONE	b		OPEN	OPEN	2&3	NONE
93037-0262	93047-0223	NONE	c		OPEN	OPEN	2&3	NONE
93037-0006	93047-0103	NONE	a d		SLOTTED	SLOTTED	1&2	NONE
93037-0007	93047-0203	CCT 3	a d		SLOTTED	SLOTTED	2&3	NONE
93037-0263	93047-0023	NONE	b		OPEN	OPEN	NONE	NONE
93037-0008	93047-0103	NONE	a d		SLOTTED	SLOTTED	1&2	BLUE
93037-0264	93047-0023	NONE	ALL		OPEN	OPEN	NONE	NONE
93037-0009	93047-0063	NONE	a d		SLOTTED	OPEN	NONE	NONE
93037-0265	93047-0223	NONE	a b d		OPEN	OPEN	2&3	NONE
93037-0010	93047-0003	NONE	a d		SLOTTED	SLOTTED	NONE	NONE
93037-0011	93047-0123	NONE	a d		OPEN	OPEN	1&2	NONE
93037-0014	93047-0023	NONE	NONE		OPEN	OPEN	NONE	BLUE
93037-0015	93047-0203	CCT 3	a d		SLOTTED	SLOTTED	2&3	BLUE
93037-0016	93047-0043	NONE	NONE		OPEN	SLOTTED	NONE	GREEN

3 CIRCUIT

PART NUMBER	HOUSING USED	TERMINAL VOID POSITION	REMOVED POSITION KEYS	CONFIGURATION	FIRST ENDWALL	LAST ENDWALL	POLARIZING RIB BETWEEN	COLOUR STRIPE
93037-0017	93047-0243	NONE	a d		OPEN	SLOTTED	2&3	NONE
93037-0018	93047-0263	NONE	a d		SLOTTED	OPEN	2&3	NONE
93037-0019	93047-0023	NONE	a d		OPEN	OPEN	NONE	BLUE
93037-0020	93047-0043	NONE	a d		OPEN	SLOTTED	NONE	GREEN
93037-0021	93047-0103	NONE	All		SLOTTED	SLOTTED	1&2	NONE
93037-0022	93047-0203	NONE	All		SLOTTED	SLOTTED	2&3	NONE
93037-0023	93047-0203	NONE	a d		SLOTTED	SLOTTED	2&3	BLACK
93037-0024	93047-0203	NONE	NONE		SLOTTED	SLOTTED	2&3	BLACK
93037-0025	93047-0063	NONE	NONE		SLOTTED	OPEN	NONE	NONE

NOTES

- + DENOTES TERMINAL VOIDED POSITION
⊕ DENOTES TERMINAL LOADED POSITION
| DENOTES POLARIZING RIB POSITION
⊠ DENOTES LATCH POSITION
- MOLEX HOUSING NO. FOR REFERENCE ONLY

THIS DRAWING CONTAINS INFORMATION THAT IS PROPRIETARY TO MOLEX ELECTRONIC TECHNOLOGIES, LLC AND SHOULD NOT BE USED WITHOUT WRITTEN PERMISSION

NX - RELEASE EC NO: 106981 DRWN: CFISHER01 CHKD: REV / APPR: BRUTTLE	2016/05/25	2016/10/14	GENERAL TOLERANCES (UNLESS SPECIFIED)	DIMENSION UNITS	SCALE		
			ANGULAR TOL ± 0.5 °	MM	1:1		
			4 PLACES ±	DRWN BY	DATE		APPLI-MATE 2.5 FEMALE G.W.T 750 VERSION WITH BEAD ON TERMINAL
			3 PLACES ± 0.05	CFISHER01	2016/05/25		
		2 PLACES ± 0.1	CHK'D BY	DATE	PRODUCT CUSTOMER DRAWING		
		1 PLACE ± 0.2	APPR BY	DATE			
		0 PLACES ±	BRUTTLE	2016/10/14	SERIES	MATERIAL NUMBER	CUSTOMER
		DRAFT WHERE APPLICABLE MUST REMAIN WITHIN DIMENSIONS	DRAWING SIZE	THIRD ANGLE PROJECTION	93037	SEE CHARTS	
A			A2		DOCUMENT NUMBER	DOC TYPE	DOC PART SHEET NUMBER
					930370001	PSD	000 3 OF 11

4 CIRCUIT								
PART NUMBER	HOUSING USED	TERMINAL VOID POSITION	REMOVED POSITION KEYS	CONFIGURATION	FIRST ENDWALL	LAST ENDWALL	POLARIZING RIB BETWEEN	COLOUR STRIPE
93037-0501	93047-0004	NONE	NONE		SLOTTED	SLOTTED	NONE	NONE
93037-0751	93047-0324	NONE	NONE		OPEN	OPEN	3&4	NONE
93037-0502	93047-0104	NONE	NONE		SLOTTED	SLOTTED	1&2	NONE
93037-0752	93047-0324	NONE	a e		OPEN	OPEN	3&4	NONE
93037-0503	93047-0104	NONE	a e		SLOTTED	SLOTTED	1&2	NONE
93037-0753	93047-0324	NONE	a c e		OPEN	OPEN	3&4	NONE
93037-0754	93047-0324	NONE	a d e		OPEN	OPEN	3&4	NONE
93037-0755	93047-0324	NONE	a b d		OPEN	OPEN	3&4	NONE
93037-0756	93047-0324	NONE	b c e		OPEN	OPEN	3&4	NONE
93037-0757	93047-0324	NONE	b d e		OPEN	OPEN	3&4	NONE
93037-0758	93047-0324	NONE	c d		OPEN	OPEN	3&4	NONE
93037-0759	93047-0224	NONE	a e		OPEN	OPEN	2&3	BLUE
93037-0504	93047-0304	NONE	NONE		SLOTTED	SLOTTED	3&4	NONE
93037-0505	93047-0104	NONE	a e		SLOTTED	SLOTTED	1&2	BLUE
93037-0901	93047-0244	NONE	NONE		OPEN	SLOTTED	2&3	NONE
93037-0506	93047-0304	NONE	a e		SLOTTED	SLOTTED	3&4	NONE
93037-0507	93047-0204	NONE	a e		SLOTTED	SLOTTED	2&3	NONE
93037-0508	93047-0104	CCT 2	a e		SLOTTED	SLOTTED	1&2	NONE
93037-0509	93047-0004	NONE	a e		SLOTTED	SLOTTED	NONE	NONE
93037-0510	93047-0064	NONE	a e		SLOTTED	OPEN	NONE	NONE
93037-0511	93047-0264	NONE	NONE		SLOTTED	OPEN	2&3	NONE
93037-0512	93047-0124	NONE	a d		OPEN	OPEN	1&2	NONE
93037-0760	93047-0224	NONE	NONE		OPEN	OPEN	2&3	NONE
93037-0761	93047-0124	NONE	a e		OPEN	OPEN	1&2	BLUE
93037-0762	93047-0124	NONE	a e		OPEN	OPEN	1&2	NONE
93037-0513	93047-0104	CCT 1,2	a e		SLOTTED	SLOTTED	1&2	NONE
93037-0763	93047-0024	NONE	NONE		OPEN	OPEN	NONE	NONE
93037-0902	93047-0044	NONE	a e		OPEN	SLOTTED	NONE	NONE

NOTES

- + DENOTES TERMINAL VOIDED POSITION
 ⊕ DENOTES TERMINAL LOADED POSITION
 | DENOTES POLARIZING RIB POSITION
 ☒ DENOTES LATCH POSITION
- MOLEX HOUSING NO. FOR REFERENCE ONLY

THIS DRAWING CONTAINS INFORMATION THAT IS PROPRIETARY TO MOLEX ELECTRONIC TECHNOLOGIES, LLC AND SHOULD NOT BE USED WITHOUT WRITTEN PERMISSION											
NX - RELEASE EC NO: 106981 DRWN: CFISHER01 CHKD: REV / APPR: BRUTTLE	2016/05/25	2016/10/14	GENERAL TOLERANCES (UNLESS SPECIFIED)	DIMENSION UNITS	SCALE						
			ANGULAR TOL ± 0.5 °	MM	1:1						
	4 PLACES ±	CFISHER01	2016/05/25	APPLI-MATE 2.5 FEMALE G.W.T 750 VERSION WITH BEAD ON TERMINAL							
	3 PLACES ± 0.05	CHK'D BY	DATE	PRODUCT CUSTOMER DRAWING							
	2 PLACES ± 0.1	APPR BY	DATE	SERIES	MATERIAL NUMBER	CUSTOMER					
1 PLACE ± 0.2	BRUTTLE	2016/10/14	93037	SEE CHARTS							
0 PLACES ±	DRAWING SIZE	THIRD ANGLE PROJECTION	DOCUMENT NUMBER								
DRAFT WHERE APPLICABLE MUST REMAIN WITHIN DIMENSIONS	A2		930370001	PSD	DOC PART	SHEET NUMBER					
				000		4 OF 11					

5 CIRCUIT

PART NUMBER	HOUSING USED	TERMINAL VOID POSITION	REMOVED POSITION KEYS	CONFIGURATION	FIRST ENDWALL	LAST ENDWALL	POLARIZING RIB BETWEEN	COLOUR STRIPE
93037-1001	93047-0005	NONE	NONE		SLOTTED	SLOTTED	NONE	NONE
93037-1251	93047-0025	NONE	a d f		OPEN	OPEN	NONE	NONE
93037-1002	93047-0305	NONE	NONE		SLOTTED	SLOTTED	3&4	NONE
93037-1003	93047-0005	NONE	a f		SLOTTED	SLOTTED	NONE	NONE
93037-1252	93047-0125	NONE	a f		OPEN	OPEN	1&2	BLUE
93037-1253	93047-0125	CCT 3	a f		OPEN	OPEN	1&2	BLUE
93037-1254	93047-0025	NONE	NONE		OPEN	OPEN	NONE	NONE
93037-1255	93047-0045	NONE	a f		OPEN	SLOTTED	NONE	NONE
93037-1004	93047-0205	NONE	a f		SLOTTED	SLOTTED	2&3	NONE
93037-1005	93047-0325	NONE	NONE		OPEN	OPEN	3&4	NONE
93037-1006	93047-0325	NONE	NONE		OPEN	OPEN	3&4	BLUE
93037-1007	93047-0325	NONE	NONE		OPEN	OPEN	3&4	RED
93037-1008	93047-0325	NONE	NONE		OPEN	OPEN	3&4	GREEN
93037-1009	93047-0205	NONE	NONE		SLOTTED	SLOTTED	2&3	NONE
93037-1010	93047-0105	NONE	NONE		SLOTTED	SLOTTED	1&2	NONE
93037-1011	93047-0405	NONE	NONE		SLOTTED	SLOTTED	4&5	NONE
93037-1012	93047-0425	NONE	a f		OPEN	OPEN	4&5	NONE
93037-1013	93047-0065	NONE	a f		SLOTTED	OPEN	NONE	NONE
93037-1014	93047-0405	NONE	a f		SLOTTED	SLOTTED	4&5	NONE
93037-1015	93047-0405	CCT 3	NONE		SLOTTED	SLOTTED	4&5	NONE
93037-1016	93047-0405	NONE	NONE		SLOTTED	SLOTTED	4&5	GREEN
93037-1017	93047-0305	NONE	a f		SLOTTED	SLOTTED	3&4	NONE
93037-1018	93047-0225	NONE	NONE		OPEN	OPEN	2&3	NONE
93037-1019	93047-0005	CCT 3	NONE		SLOTTED	SLOTTED	NONE	NONE
93037-1020	93047-0325	NONE	a f		OPEN	OPEN	3&4	BLUE
93037-1021	93047-0325	NONE	a f		OPEN	OPEN	3&4	NONE
93037-1022	93047-0125	NONE	a f		OPEN	OPEN	1&2	NONE

THIS DRAWING CONTAINS INFORMATION THAT IS PROPRIETARY TO MOLEX ELECTRONIC TECHNOLOGIES, LLC AND SHOULD NOT BE USED WITHOUT WRITTEN PERMISSION

NX - RELEASE 2016/05/25 EC NO: 106981 DRWN: CFISHER01 CHKD: REV / APPR: BRUTTLE	GENERAL TOLERANCES (UNLESS SPECIFIED)	DIMENSION UNITS	SCALE		
	ANGULAR TOL ± 0.5 °	MM	1:1		
	4 PLACES ±	DRWN BY	DATE		CFISHER01 2016/05/25
	3 PLACES ± 0.05	CHK'D BY	DATE		
2 PLACES ± 0.1	APPR BY	DATE	BRUTTLE 2016/10/14	PRODUCT CUSTOMER DRAWING SERIES: 93037 MATERIAL NUMBER: SEE CHARTS CUSTOMER:	
1 PLACE ± 0.2	DRAFT WHERE APPLICABLE MUST REMAIN WITHIN DIMENSIONS	DRAWING SIZE	THIRD ANGLE PROJECTION		
0 PLACES ±	A2			DOCUMENT NUMBER: 930370001 DOC TYPE: PSD DOC PART: 000 SHEET NUMBER: 5 OF 11	

6 CIRCUIT								
PART NUMBER	HOUSING USED	TERMINAL VOID POSITION	REMOVED POSITION KEYS	CONFIGURATION	FIRST ENDWALL	LAST ENDWALL	POLARIZING RIB BETWEEN	COLOUR STRIPE
93037-1501	93047-0006	NONE	NONE		SLOTTED	SLOTTED	NONE	NONE
93037-1502	93047-0206	CCT 3,4,5,6	a g		SLOTTED	SLOTTED	2&3	NONE
93037-1503	93047-0206	CCT 3,4	NONE		SLOTTED	SLOTTED	2&3	NONE
93037-1504	93047-0206	CCT 1,2	NONE		SLOTTED	SLOTTED	2&3	NONE
93037-1505	93047-0206	NONE	NONE		SLOTTED	SLOTTED	2&3	NONE
93037-1751	93047-0226	NONE	a g		OPEN	OPEN	2&3	NONE
93037-1506	93047-0306	NONE	a g		SLOTTED	SLOTTED	3&4	NONE
93037-1507	93047-0006	NONE	a g		SLOTTED	SLOTTED	NONE	NONE
93037-1508	93047-0206	NONE	a g		SLOTTED	SLOTTED	2&3	BLUE
93037-1509	93047-0206	NONE	NONE		SLOTTED	SLOTTED	2&3	BLUE
93037-1901	93047-0346	NONE	NONE		OPEN	SLOTTED	3&4	NONE
93037-1752	93047-0226	NONE	a g		OPEN	OPEN	2&3	BLUE
93037-1510	93047-0106	NONE	a g		SLOTTED	SLOTTED	1&2	NONE
93037-1511	93047-0366	NONE	NONE		SLOTTED	OPEN	3&4	NONE
93037-1512	93047-0406	NONE	NONE		SLOTTED	SLOTTED	4&5	NONE
93037-1513	93047-0026	NONE	NONE		OPEN	OPEN	NONE	NONE
93037-1514	93047-0506	NONE	a g		SLOTTED	SLOTTED	5&6	NONE
93037-1515	93047-0206	CCT 3 4 5 6	a g		SLOTTED	SLOTTED	2&3	BLUE
93037-1516	93047-0066	NONE	a g		SLOTTED	OPEN	NONE	NONE
93037-1517	93047-0406	NONE	a g		SLOTTED	SLOTTED	4&5	NONE
93037-1518	93047-0106	NONE	NONE		SLOTTED	SLOTTED	1&2	NONE
93037-1519	93047-0506	NONE	NONE		SLOTTED	SLOTTED	5&6	NONE
93037-1753	93047-0426	NONE	NONE		OPEN	OPEN	4&5	NONE
93037-1754	93047-0526	NONE	NONE		OPEN	OPEN	5&6	NONE
93037-1755	93047-0006	CCT 5	NONE		SLOTTED	SLOTTED	NONE	NONE
93037-1756	93047-0306	NONE	NONE		SLOTTED	SLOTTED	3&4	NONE
93037-1757	93047-0206	CCT 1,2,3,4	a g		SLOTTED	SLOTTED	2&3	NONE
93037-1758	93047-0206	CCT 1,2	a g		SLOTTED	SLOTTED	2&3	NONE
93037-1759	93047-0206	CCT 3,4,5,6	ALL		SLOTTED	SLOTTED	2&3	NONE
93037-1760	93047-0526	NONE	a g		OPEN	OPEN	5&6	NONE

6 CIRCUIT								
PART NUMBER	HOUSING USED	TERMINAL VOID POSITION	REMOVED POSITION KEYS	CONFIGURATION	FIRST ENDWALL	LAST ENDWALL	POLARIZING RIB BETWEEN	COLOUR STRIPE
93037-1520	93047-0206	NONE	NONE		SLOTTED	SLOTTED	2&3	GREEN
93037-1521	93047-0206	NONE	a g		SLOTTED	SLOTTED	2&3	NONE

THIS DRAWING CONTAINS INFORMATION THAT IS PROPRIETARY TO MOLEX ELECTRONIC TECHNOLOGIES, LLC AND SHOULD NOT BE USED WITHOUT WRITTEN PERMISSION

NX - RELEASE EC NO: 106981 DRWN: CFISHER01 CHKD: REV / APPR: BRUTTLE	2016/05/25	2016/10/14	GENERAL TOLERANCES (UNLESS SPECIFIED)	DIMENSION UNITS	SCALE		
			ANGULAR TOL ± 0.5 °	MM	1:1		
			4 PLACES ±	DRWN BY	DATE		CFISHER01 2016/05/25
			3 PLACES ± 0.05	CHK'D BY	DATE		
		2 PLACES ± 0.1	APPR BY	DATE	BRUTTLE 2016/10/14		
		1 PLACE ± 0.2	DRAFT WHERE APPLICABLE MUST REMAIN WITHIN DIMENSIONS			PRODUCT CUSTOMER DRAWING APPLI-MATE 2.5 FEMALE G.W.T 750 VERSION WITH BEAD ON TERMINAL	
		0 PLACES ±	DRAWING SIZE	THIRD ANGLE PROJECTION	SERIES: 93037 MATERIAL NUMBER: SEE CHARTS CUSTOMER:		
A			A2		DOCUMENT NUMBER: 930370001 DOC TYPE: PSD DOC PART: 000 SHEET NUMBER: 6 OF 11		

7 CIRCUIT								
PART NUMBER	HOUSING USED	TERMINAL VOID POSITION	REMOVED POSITION KEYS	CONFIGURATION	FIRST ENDWALL	LAST ENDWALL	POLARIZING RIB BETWEEN	COLOUR STRIPE
93037-2001	93047-0007	NONE	NONE		SLOTTED	SLOTTED	NONE	NONE
93037-2002	93047-0207	NONE	a h		SLOTTED	SLOTTED	2&3	NONE
93037-2003	93047-0207	CCT 2,6	NONE		SLOTTED	SLOTTED	2&3	NONE
93037-2004	93047-0207	NONE	NONE		SLOTTED	SLOTTED	2&3	NONE
93037-2005	93047-0007	NONE	a h		SLOTTED	SLOTTED	NONE	NONE
93037-2006	93047-0207	NONE	a h		SLOTTED	SLOTTED	2&3	BLUE
93037-2007	93047-0207	NONE	b c d e f		SLOTTED	SLOTTED	2&3	NONE
93037-2008	93047-0207	CCT 7	a h		SLOTTED	SLOTTED	2&3	BLUE
93037-2009	93047-0027	NONE	NONE		OPEN	OPEN	NONE	NONE
93037-2010	93047-0527	NONE	NONE		OPEN	OPEN	5&6	NONE
93037-2011	93047-0207	NONE	a h		SLOTTED	SLOTTED	2&3	BLACK
93037-2012	93047-0207	NONE	NONE		SLOTTED	SLOTTED	2&3	BLACK
93037-2013	93047-0227	NONE	NONE		OPEN	OPEN	2&3	NONE
93037-2014	93047-0427	NONE	NONE		OPEN	OPEN	4&5	NONE
93037-2015	93047-0507	NONE	NONE		SLOTTED	SLOTTED	5&6	NONE
93037-2016	93047-0207	NONE	ALL		SLOTTED	SLOTTED	2&3	NONE
93037-2017	93047-0227	CCT 2,6	a h		OPEN	OPEN	2&3	NONE
93037-2018	93047-0207	CCT 1,2,6,7	a h		SLOTTED	SLOTTED	2&3	NONE
93037-2019	93047-0207	CCT 1,2,5,6,7	a h		SLOTTED	SLOTTED	2&3	NONE
93037-2020	93047-0207	CCT 1,2,3,4,7	a h		SLOTTED	SLOTTED	2&3	NONE
93037-2021	93047-0207	CCT 3,4,5,6,7	a h		SLOTTED	SLOTTED	2&3	NONE
93037-2022	93047-0547	NONE	a h		OPEN	SLOTTED	5&6	NONE
93037-2024	93047-0207	NONE	ALL		SLOTTED	SLOTTED	2&3	NONE
93037-2025	93047-0507	NONE	ALL		SLOTTED	SLOTTED	5&6	NONE
93037-2026	93047-0607	NONE	NONE		SLOTTED	SLOTTED	6&7	NONE
93037-2027	93047-0607	NONE	ALL		SLOTTED	SLOTTED	6&7	NONE

THIS DRAWING CONTAINS INFORMATION THAT IS PROPRIETARY TO MOLEX ELECTRONIC TECHNOLOGIES, LLC AND SHOULD NOT BE USED WITHOUT WRITTEN PERMISSION

NX - RELEASE 2016/05/25 EC NO: 106981 DRWN: CFISHER01 CHKD: REV / APPR: BRUTTLE	GENERAL TOLERANCES (UNLESS SPECIFIED)	DIMENSION UNITS	SCALE	molex APPLI-MATE 2.5 FEMALE G.W.T 750 VERSION WITH BEAD ON TERMINAL		
	ANGULAR TOL ± 0.5 °	MM	1:1			
	4 PLACES ±	DRWN BY	DATE			
	3 PLACES ± 0.05	CFISHER01	2016/05/25			
2 PLACES ± 0.1	CHK'D BY	DATE	PRODUCT CUSTOMER DRAWING			
1 PLACE ± 0.2	APPR BY	DATE				
0 PLACES ±	BRUTTLE	2016/10/14				
DRAFT WHERE APPLICABLE MUST REMAIN WITHIN DIMENSIONS	DRAWING SIZE	THIRD ANGLE PROJECTION				
A	A2		SERIES	MATERIAL NUMBER	CUSTOMER	
			93037	SEE CHARTS		
			DOCUMENT NUMBER	DOC TYPE	DOC PART	SHEET NUMBER
			930370001	PSD	000	7 OF 11

8 CIRCUIT

PART NUMBER	HOUSING USED	TERMINAL VOID POSITION	REMOVED POSITION KEYS	CONFIGURATION	FIRST ENDWALL	LAST ENDWALL	POLARIZING RIB BETWEEN	COLOUR STRIPE
93037-2501	93047-0008	NONE	NONE		SLOTTED	SLOTTED	NONE	NONE
93037-2751	93047-0728	NONE	NONE		OPEN	OPEN	7&8	NONE
93037-2752	93047-0628	NONE	NONE		OPEN	OPEN	6&7	NONE
93037-2502	93047-0208	NONE	ALL		SLOTTED	SLOTTED	2&3	NONE
93037-2503	93047-0208	NONE	NONE		SLOTTED	SLOTTED	2&3	NONE
93037-2504	93047-0208	NONE	a i		SLOTTED	SLOTTED	2&3	BLUE
93037-2505	93047-0008	NONE	a		SLOTTED	SLOTTED	NONE	NONE
93037-2506	93047-0308	NONE	NONE		SLOTTED	SLOTTED	3&4	NONE
93037-2507	93047-0328	NONE	NONE		OPEN	OPEN	3&4	NONE
93037-2508	93047-0328	NONE	a i		OPEN	OPEN	3&4	NONE
93037-2509	93047-0228	NONE	NONE		OPEN	OPEN	2&3	NONE
93037-2510	93047-0028	NONE	NONE		OPEN	OPEN	NONE	NONE
93037-2511	93047-0208	CCT 1, 2, 3, 4, 8	ALL		SLOTTED	SLOTTED	2&3	NONE
93037-2512	93047-0008	NONE	a i		SLOTTED	SLOTTED	NONE	NONE
93037-2513	93047-0208	CCT 8	ALL		SLOTTED	SLOTTED	2&3	NONE
93037-2514	93047-0208	CCT 1,2,8	ALL		SLOTTED	SLOTTED	2&3	NONE
93037-2515	93047-0208	CCT 2	ALL		SLOTTED	SLOTTED	2&3	NONE
93037-2516	93047-0708	NONE	NONE		SLOTTED	SLOTTED	7&8	NONE
93037-2517	93047-0428	NONE	a i		OPEN	OPEN	4&5	NONE
93037-2518	93047-0728	NONE	a i		OPEN	OPEN	7&8	NONE

9 CIRCUIT

PART NUMBER	HOUSING USED	TERMINAL VOID POSITION	REMOVED POSITION KEYS	CONFIGURATION	FIRST ENDWALL	LAST ENDWALL	POLARIZING RIB BETWEEN	COLOUR STRIPE
93037-3001	93047-0009	NONE	NONE		SLOTTED	SLOTTED	NONE	NONE
93037-3002	93047-0209	CCT 2,5,7	NONE		SLOTTED	SLOTTED	2&3	NONE
93037-3253	93047-0829	NONE	NONE		OPEN	OPEN	8&9	NONE
93037-3003	93047-0209	NONE	a j		SLOTTED	SLOTTED	2&3	NONE
93037-3004	93047-0209	CCT 2,5,7	ALL		SLOTTED	SLOTTED	2&3	NONE
93037-3005	93047-0209	NONE	NONE		SLOTTED	SLOTTED	2&3	NONE
93037-3006	93047-0209	CCT 1	NONE		SLOTTED	SLOTTED	2&3	NONE
93037-3007	93047-2009	CCT 5	NONE		SLOTTED	SLOTTED	4&5 5&6	NONE
93037-3254	93047-0729	NONE	NONE		OPEN	OPEN	7&8	NONE
93037-3008	93047-0709	CCT 3,5,7	a j		SLOTTED	SLOTTED	7&8	NONE
93037-3255	93047-0209	CCT 3,5,7	a j		SLOTTED	SLOTTED	2&3	NONE
93037-3256	93047-0809	NONE	NONE		SLOTTED	SLOTTED	8&9	NONE

THIS DRAWING CONTAINS INFORMATION THAT IS PROPRIETARY TO MOLEX ELECTRONIC TECHNOLOGIES, LLC AND SHOULD NOT BE USED WITHOUT WRITTEN PERMISSION

NX - RELEASE EC NO: 106981 DRWN: CFISHER01 CHKD: REV / APPR: BRUTTLE	2016/05/25	2016/10/14	GENERAL TOLERANCES (UNLESS SPECIFIED)	DIMENSION UNITS MM	SCALE 1:1	<p>APPLI-MATE 2.5 FEMALE G.W.T 750 VERSION WITH BEAD ON TERMINAL</p>		
	ANGULAR TOL ± 0.5 °		DRWN BY CFISHER01	DATE 2016/05/25				
	4 PLACES ±	CHK'D BY		DATE				
	3 PLACES ± 0.05	APPR BY BRUTTLE		DATE 2016/10/14				
2 PLACES ± 0.1	DRAWING SIZE A2		THIRD ANGLE PROJECTION		SERIES 93037	MATERIAL NUMBER SEE CHARTS	CUSTOMER	
1 PLACE ± 0.2	DRAFT WHERE APPLICABLE MUST REMAIN WITHIN DIMENSIONS				DOCUMENT NUMBER 930370001	DOC TYPE PSD	DOC PART 000	SHEET NUMBER 8 OF 11
0 PLACES ±								

10 CIRCUIT								
PART NUMBER	HOUSING USED	TERMINAL VOID POSITION	REMOVED POSITION KEYS	CONFIGURATION	FIRST ENDWALL	LAST ENDWALL	POLARIZING RIB BETWEEN	COLOUR STRIPE
93037-3501	93047-0010	NONE	NONE		SLOTTED	SLOTTED	NONE	NONE
93037-3502	93047-0110	NONE	a k		SLOTTED	SLOTTED	1&2	NONE
93037-3503	93047-0210	NONE	a k		SLOTTED	SLOTTED	2&3	BLUE
93037-3504	93047-0210	NONE	a k		SLOTTED	SLOTTED	2&3	NONE
93037-3505	93047-0210	NONE	NONE		SLOTTED	SLOTTED	2&3	NONE
93037-3506	93047-0830	NONE	a k		OPEN	OPEN	8&9	NONE
93037-3507	93047-0310	2,4,6,9	a k		SLOTTED	SLOTTED	3&4	NONE
93037-3508	93047-0310	2,4,8,9	NONE		SLOTTED	SLOTTED	3&4	NONE
93037-3509	93047-0310	NONE	NONE		SLOTTED	SLOTTED	3&4	NONE
93037-3510	93047-0830	NONE	NONE		OPEN	OPEN	8&9	NONE
93037-3511	93047-0830	5,8	a k		OPEN	OPEN	8&9	NONE
93037-3512	93047-0210	1,2,3,4,5,6	a k		SLOTTED	SLOTTED	2&3	NONE
93037-3513	93047-0210	1,2,3,4	a k		SLOTTED	SLOTTED	2&3	NONE
93037-3514	93047-0210	1,2,3,4,5,6,7,8	a k		SLOTTED	SLOTTED	2&3	NONE
93037-3515	93047-0210	1,2	a k		SLOTTED	SLOTTED	2&3	NONE
93037-3516	93047-0210	3,4,5,6	a k		SLOTTED	SLOTTED	2&3	NONE
93037-3517	93047-0210	3,4,5	a k		SLOTTED	SLOTTED	2&3	NONE
93037-3518	93047-0210	7,8	a k		SLOTTED	SLOTTED	2&3	NONE
93037-3519	93047-0210	5,6,7,8	a k		SLOTTED	SLOTTED	2&3	NONE
93037-3520	93047-0910	NONE	NONE		SLOTTED	SLOTTED	9&10	NONE

11 CIRCUIT								
PART NUMBER	HOUSING USED	TERMINAL VOID POSITION	REMOVED POSITION KEYS	CONFIGURATION	FIRST ENDWALL	LAST ENDWALL	POLARIZING RIB BETWEEN	COLOUR STRIPE
93037-4001	93047-0011	NONE	NONE		SLOTTED	SLOTTED	NONE	NONE
93037-4251	93047-0931	NONE	b c d e f g h i j k		OPEN	OPEN	9&10	NONE
93037-4002	93047-0711	NONE	NONE		SLOTTED	SLOTTED	7&8	NONE
93037-4003	93047-0411	NONE	NONE		SLOTTED	SLOTTED	4&5	NONE
93037-4252	93047-0931	NONE	NONE		OPEN	OPEN	9&10	NONE
93037-4253	93047-0831	NONE	a l		OPEN	OPEN	8&9	NONE
93037-4254	93047-0211	5,7,10	a l		SLOTTED	SLOTTED	2&3	NONE
93037-4255	93047-0211	1,2,5,7,10	a l		SLOTTED	SLOTTED	2&3	NONE

THIS DRAWING CONTAINS INFORMATION THAT IS PROPRIETARY TO MOLEX ELECTRONIC TECHNOLOGIES, LLC AND SHOULD NOT BE USED WITHOUT WRITTEN PERMISSION

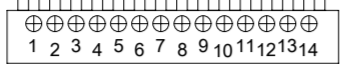

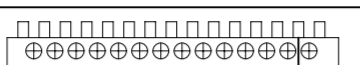
NX - RELEASE EC NO: 106981 DRWN: CFISHER01 CHKD: APP: BRUTTLE	2016/05/25	2016/10/14	GENERAL TOLERANCES (UNLESS SPECIFIED)	DIMENSION UNITS	SCALE	<p>APPLI-MATE 2.5 FEMALE G.W.T 750 VERSION WITH BEAD ON TERMINAL</p>	
			ANGULAR TOL ± 0.5 °	MM	1:1		
	4 PLACES ±		CFISHER01	DRWN BY	DATE		2016/05/25
	3 PLACES ± 0.05			CHK'D BY	DATE		
2 PLACES ± 0.1			APPR BY	DATE			
1 PLACE ± 0.2			BRUTTLE	2016/10/14			
0 PLACES ±							
DRAFT WHERE APPLICABLE MUST REMAIN WITHIN DIMENSIONS			DRAWING SIZE	THIRD ANGLE PROJECTION		SERIES: 93037 MATERIAL NUMBER: SEE CHARTS CUSTOMER:	
A			A2			DOCUMENT NUMBER: 930370001 DOC TYPE: PSD DOC PART: 000 SHEET NUMBER: 9 OF 11	

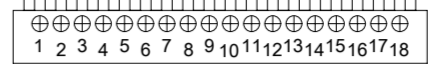
12 CIRCUIT								
PART NUMBER	HOUSING USED	TERMINAL VOID POSITION	REMOVED POSITION KEYS	CONFIGURATION	FIRST ENDWALL	LAST ENDWALL	POLARIZING RIB BETWEEN	COLOUR STRIPE
93037-4501	93047-0012	NONE	NONE		SLOTTED	SLOTTED	NONE	NONE
93037-4502	93047-1032	NONE	NONE		OPEN	OPEN	10&11	NONE
93037-4503	93047-1112	NONE	NONE		SLOTTED	SLOTTED	11&12	NONE
93037-4504	93047-0032	NONE	NONE		OPEN	OPEN	NONE	NONE


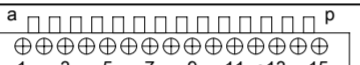
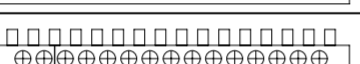
13 CIRCUIT								
PART NUMBER	HOUSING USED	TERMINAL VOID POSITION	REMOVED POSITION KEYS	CONFIGURATION	FIRST ENDWALL	LAST ENDWALL	POLARIZING RIB BETWEEN	COLOUR STRIPE
93037-5001	93047-0013	NONE	NONE		SLOTTED	SLOTTED	NONE	NONE
93037-5251	93047-0233	NONE	a n		OPEN	OPEN	2&3	NONE
93037-5002	93047-0013	NONE	a n		SLOTTED	SLOTTED	NONE	NONE
93037-5003	93047-0213	CCT 2	a n		SLOTTED	SLOTTED	2&3	NONE
93037-5004	93047-0213	CCT 12	a n		SLOTTED	SLOTTED	2&3	NONE
93037-5005	93047-0213	2,3,4,7,9,12	ALL		SLOTTED	SLOTTED	2&3	NONE
93037-5006	93047-0213	2,7,9,12	a n		SLOTTED	SLOTTED	2&3	NONE
93037-5007	93047-0213	3,4,7,9,12	ALL		SLOTTED	SLOTTED	2&3	NONE
93037-5008	93047-0413	NONE	NONE		SLOTTED	SLOTTED	4&5	NONE
93037-5009	93047-1133	NONE	NONE		OPEN	OPEN	11&12	NONE
93037-5010	93047-1113	1,2,7,9,12	a n		SLOTTED	SLOTTED	11&12	NONE
93037-5011	93047-1113	2,5,7,12,13	a n		SLOTTED	SLOTTED	11&12	NONE
93037-5012	93047-0213	3,4,7,9,12	a n		SLOTTED	SLOTTED	2&3	NONE
93037-5013	93047-0213	1,2,7,9,12	a n		SLOTTED	SLOTTED	2&3	NONE
93037-5014	93047-0213	1,2,3,4,7,9,12	a n		SLOTTED	SLOTTED	2&3	NONE
93037-5015	93047-0213	2,5,7,12,13	a n		SLOTTED	SLOTTED	2&3	NONE
93037-5016	93047-0213	2,5,7	a n		SLOTTED	SLOTTED	2&3	NONE
93037-5017	93047-0213	7,9,12	a n		SLOTTED	SLOTTED	2&3	NONE


THIS DRAWING CONTAINS INFORMATION THAT IS PROPRIETARY TO MOLEX ELECTRONIC TECHNOLOGIES, LLC AND SHOULD NOT BE USED WITHOUT WRITTEN PERMISSION

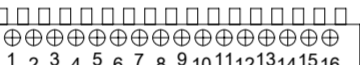
NX - RELEASE EC NO: 106981 DRWN: CFISHER01 CHKD: REV / APPR: BRUTTLE	2016/05/25	2016/10/14	GENERAL TOLERANCES (UNLESS SPECIFIED)	DIMENSION UNITS	SCALE		
			ANGULAR TOL ± 0.5 °	MM	1:1		
			4 PLACES ±	DRWN BY	DATE		CFISHER01 2016/05/25
			3 PLACES ± 0.05	CHK'D BY	DATE		
		2 PLACES ± 0.1	APPR BY	DATE	BRUTTLE 2016/10/14		
		1 PLACE ± 0.2	DRAFT WHERE APPLICABLE MUST REMAIN WITHIN DIMENSIONS	DRAWING SIZE	THIRD ANGLE PROJECTION	SERIES: 93037 MATERIAL NUMBER: SEE CHARTS CUSTOMER:	
		0 PLACES ±	A2			DOCUMENT NUMBER: 930370001 DOC TYPE: PSD DOC PART: 000 SHEET NUMBER: 10 OF 11	

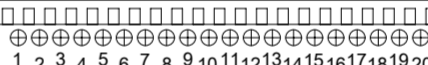
14 CIRCUIT								
PART NUMBER	HOUSING USED	TERMINAL VOID POSITION	REMOVED POSITION KEYS	CONFIGURATION	FIRST ENDWALL	LAST ENDWALL	POLARIZING RIB BETWEEN	COLOUR STRIPE
93037-5501	93045-0014	NONE	NONE		SLOTTED	SLOTTED	NONE	NONE
93037-5502	93047-0214	NONE	a o		SLOTTED	SLOTTED	2&3	NONE
93037-5503	93047-1314	NONE	NONE		SLOTTED	SLOTTED	13&14	NONE

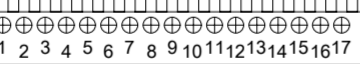
18 CIRCUIT								
PART NUMBER	HOUSING USED	TERMINAL VOID POSITION	REMOVED POSITION KEYS	CONFIGURATION	FIRST ENDWALL	LAST ENDWALL	POLARIZING RIB BETWEEN	COLOUR STRIPE
93037-7501	93047-0018	NONE	NONE		SLOTTED	SLOTTED	NONE	NONE

15 CIRCUIT								
PART NUMBER	HOUSING USED	TERMINAL VOID POSITION	REMOVED POSITION KEYS	CONFIGURATION	FIRST ENDWALL	LAST ENDWALL	POLARIZING RIB BETWEEN	COLOUR STRIPE
93037-6001	93047-0015	NONE	NONE		SLOTTED	SLOTTED	NONE	NONE
93037-6002	93047-0015	NONE	a p		SLOTTED	SLOTTED	NONE	NONE
93037-6003	93047-0215	NONE	NONE		SLOTTED	SLOTTED	2&3	NONE


19 CIRCUIT								
PART NUMBER	HOUSING USED	TERMINAL VOID POSITION	REMOVED POSITION KEYS	CONFIGURATION	FIRST ENDWALL	LAST ENDWALL	POLARIZING RIB BETWEEN	COLOUR STRIPE
93037-8001	93047-0019	NONE	NONE		SLOTTED	SLOTTED	NONE	NONE

16 CIRCUIT								
PART NUMBER	HOUSING USED	TERMINAL VOID POSITION	REMOVED POSITION KEYS	CONFIGURATION	FIRST ENDWALL	LAST ENDWALL	POLARIZING RIB BETWEEN	COLOUR STRIPE
93037-6501	93047-0016	NONE	NONE		SLOTTED	SLOTTED	NONE	NONE

20 CIRCUIT								
PART NUMBER	HOUSING USED	TERMINAL VOID POSITION	REMOVED POSITION KEYS	CONFIGURATION	FIRST ENDWALL	LAST ENDWALL	POLARIZING RIB BETWEEN	COLOUR STRIPE
93037-8501	93047-0020	NONE	NONE		SLOTTED	SLOTTED	NONE	NONE

17 CIRCUIT								
PART NUMBER	HOUSING USED	TERMINAL VOID POSITION	REMOVED POSITION KEYS	CONFIGURATION	FIRST ENDWALL	LAST ENDWALL	POLARIZING RIB BETWEEN	COLOUR STRIPE
93037-7001	93047-0017	NONE	NONE		SLOTTED	SLOTTED	NONE	NONE

THIS DRAWING CONTAINS INFORMATION THAT IS PROPRIETARY TO MOLEX ELECTRONIC TECHNOLOGIES, LLC AND SHOULD NOT BE USED WITHOUT WRITTEN PERMISSION

NX - RELEASE EC NO: 106981 DRWN: CFISHER01 CHKD: REV / APPR: BRUTTLE	2016/05/25	2016/10/14	GENERAL TOLERANCES (UNLESS SPECIFIED)	DIMENSION UNITS	SCALE	 APPLI-MATE 2.5 FEMALE G.W.T 750 VERSION WITH BEAD ON TERMINAL	
			ANGULAR TOL ± 0.5 °	MM	1:1		
			4 PLACES ±	DRWN BY	DATE		CFISHER01 2016/05/25
			3 PLACES ± 0.05	CHK'D BY	DATE		
		2 PLACES ± 0.1	APPR BY	DATE	BRUTTLE 2016/10/14		
		1 PLACE ± 0.2	DRAFT WHERE APPLICABLE MUST REMAIN WITHIN DIMENSIONS	DRAWING SIZE	THIRD ANGLE PROJECTION	SERIES: 93037 MATERIAL NUMBER: SEE CHARTS CUSTOMER:	
		0 PLACES ±	A2			DOCUMENT NUMBER: 930370001 DOC TYPE: PSD DOC PART: 000 SHEET NUMBER: 11 OF 11	