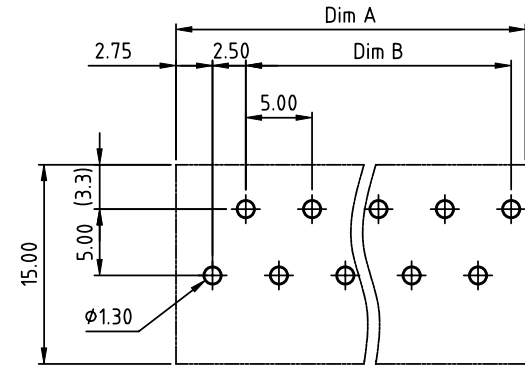
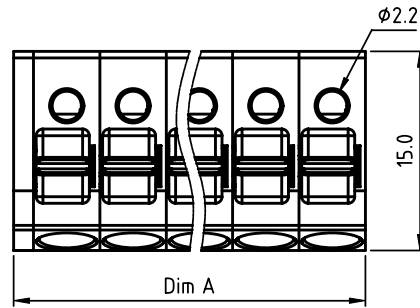
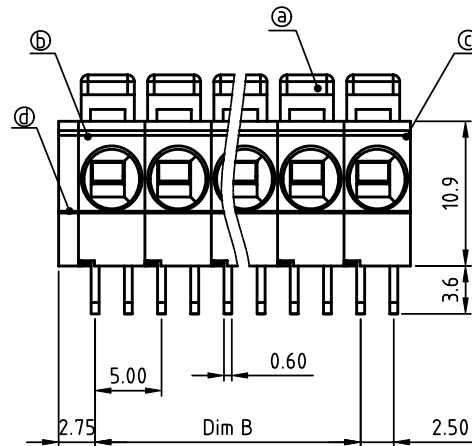
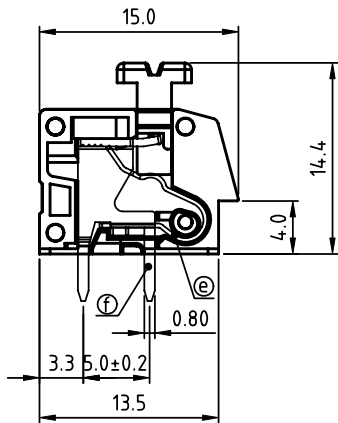


PRODUCT NUMBER	PITCH
H6xx00x000J0G	5.00 mm



RECOMMENDED P.C.B LAYOUT  
TOP VIEW



Material:

- Item A Lever: Thermoplastic (UL94V-0) White
- Item B Terminal body: Thermoplastic (UL94V-0)
- Item C Terminal side body: Thermoplastic (UL94V-0)
- Item D cover: Thermoplastic (UL94V-0)
- Item E Spring clamp: Stainless steel
- Item F Solder pin: Brass.Tin plated

Electrical:

- |                          |                  |                      |
|--------------------------|------------------|----------------------|
|                          | cULus            | VDE                  |
| ● Voltage rating:        | 300 V            | 250 V                |
| ● Current rating:        | 11 A             | 12 A                 |
| ● Wire range:            |                  | 0.5-4mm <sup>2</sup> |
| ● Solid wire(AWG):       | 12-20            |                      |
| ● Stranded wire(AWG):    | 12-20            |                      |
| ● Wire strip length:     | 10-11 mm         |                      |
| ● Withstanding Voltage:  | 1.6KV            | 2KV                  |
| ● Operating temperature: | -40°C to +115°C  |                      |
| ● Soldering temperature: | 260°C ±5°C/5 Sec |                      |
| ● Safety Approval:       |                  |                      |

N=Number of poles  
Dim A=N×5.0+1.5  
Dim B=(N-1)×5.0

Poles	Dim A	Dim B
2-6p	±0.15	±0.15
7-12p	±0.20	±0.20
13-18p	±0.30	±0.25
19-24p	±0.40	±0.30

PART NO.: H6 xx 00 x 0 00J0 G

- |               |     |                   |                 |
|---------------|-----|-------------------|-----------------|
| End stackable | 0   | Color             | RoHS compliant  |
| No. of poles  | 2   | Black (RAL9005)   | (lead<4%)       |
| 02 2 poles    | 3   | Red (RAL3001/D)   | In copper Alloy |
| 03 3 poles    | 4   | Orange(RAL2011/P) |                 |
| ...           | ... | Yellow(RAL1018/A) |                 |
| ...           | ... | Green(RAL6018/T)  |                 |
| 24 24 poles   | 6   | Blue (RAL5015/A)  |                 |
|               | 8   | Grey(RAL7004/P)   |                 |
|               | 9   | White(RAL1102)    |                 |
|               | C   | Multiple colors   |                 |

mat'l. code		surface ASME Y14.5	tolerance ASME Y14.5	projection 	product family TERMINAL BLOCK
ltr	ecn no	dr	date	tolerances unless otherwise specified	title TERMINAL BLOCK
				angles 	scale MM
				X±0.5	dwg no H6xx00x000J0G
				X.X±0.3	sheet 1 of 1 size A4
				X*±1*	X.XX±0.1
		dr	EVIN ZHONG	060614	FCI logo
		enr	EVIN ZHONG	060614	type CUSTOMER Drawing
		chr	HANKE FENG	060614	
		appd	SHI JUN	060614	
sheet index	revision sheet	A	1		