

MATERIALS AND FINISHES

BODY, CONTACT SLEEVE STAINLESS STEEL  
PLATED GOLD

FLANGE BODY STAINLESS STEEL  
PASSIVATE

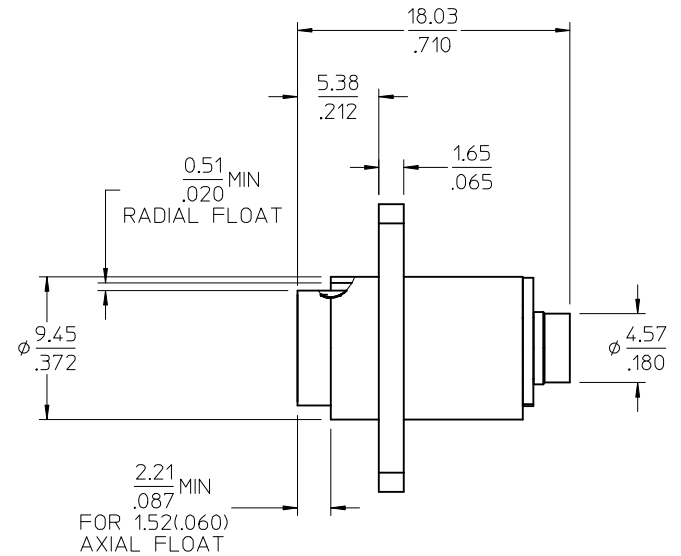
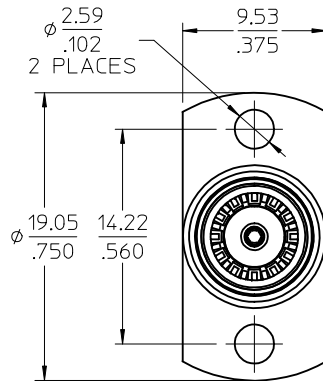
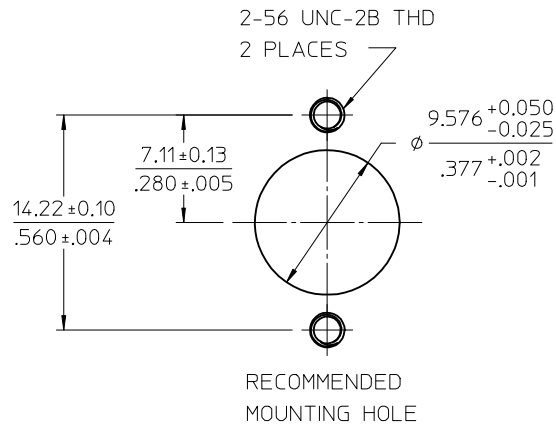
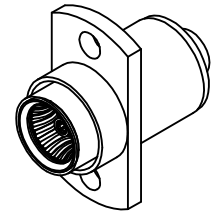
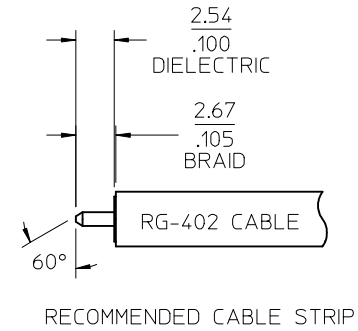
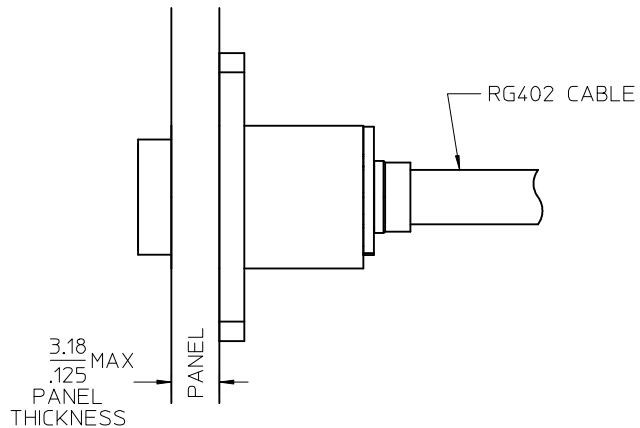
RETAINING CLIP CARBON STEEL  
PLATED NICKEL

WASHER BRASS  
PLATED NICKEL

SPRING STEEL  
PLATED NICKEL

CENTER CONTACT, SPRINGS BERYLLIUM COPPER  
PLATED GOLD

INSULATOR TEFLON



73298-0011	-0010, ONE PER BAG
73298-0010	TRAY
PART NO	PACKAGING

PS-89675-1860	ELEC/MECH PERFORMANCE
MIL-STD-348A, FIG. 321.2	INTERFACE
SPECIFICATION	DESCRIPTION

CHG: UPDATED VIEWS PER RF15-E307	EC NO: URF2016-0160	2015/09/01
DRWR:YEH	CHKD:	2015/09/01
APPR:YCHENG	DESCRIPTION	2015/09/01
REV		

QUALITY SYMBOLS	∇=0
	∇=0
	∇=0

GENERAL TOLERANCES (UNLESS SPECIFIED)	mm	INCH
4 PLACES	± .005	± .0005
3 PLACES	± .004	± .0004
2 PLACES	± .003	± .0003
1 PLACE	± .002	± .0002
0 PLACE	± .001	± .0001
ANGULAR ± 2 °		
DRAFT WHERE APPLICABLE MUST REMAIN WITHIN DIMENSIONS		

DIMENSION STYLE	MM/IN
DRAWN BY	TEF
DATE	2003/05/03
CHECKED BY	SSS
DATE	2003/05/03
APPROVED BY	GMH
DATE	2003/05/03
MATERIAL NO.	SEE TABLE
SIZE	C

SCALE	4:1
DESIGN UNITS	METRIC
THIRD ANGLE PROJECTION	
TITLE	BMA JACK,2H FLANGE,FLOAT MT FOR RG402, 50 OHMS EWR-2215, BMA-JC/F
<b>molex</b>	
DOCUMENT NO.	SD-73298-001
SHEET NO.	1 OF 1
THIS DRAWING CONTAINS INFORMATION THAT IS PROPRIETARY TO MOLEX INCORPORATED AND SHOULD NOT BE USED WITHOUT WRITTEN PERMISSION	