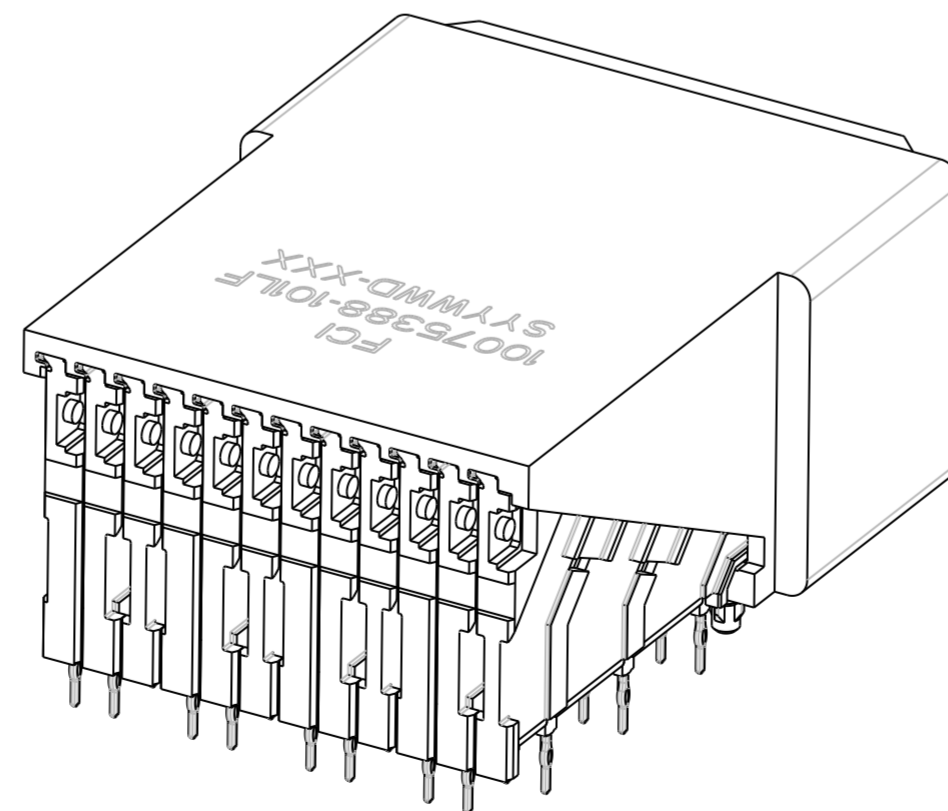
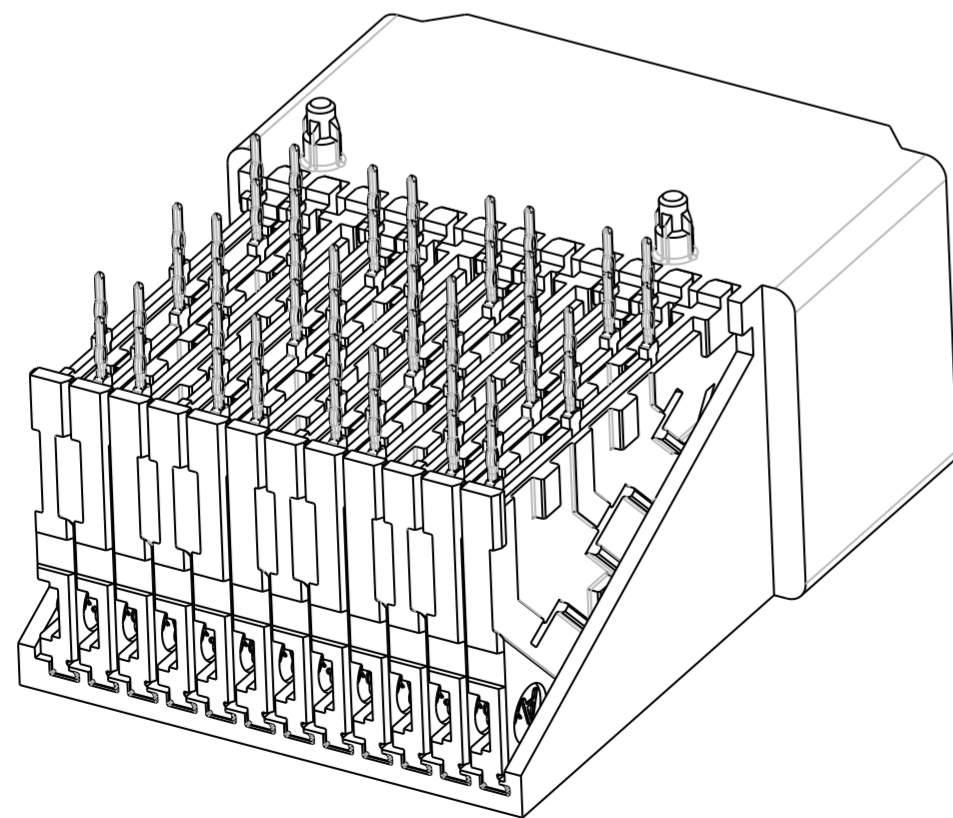
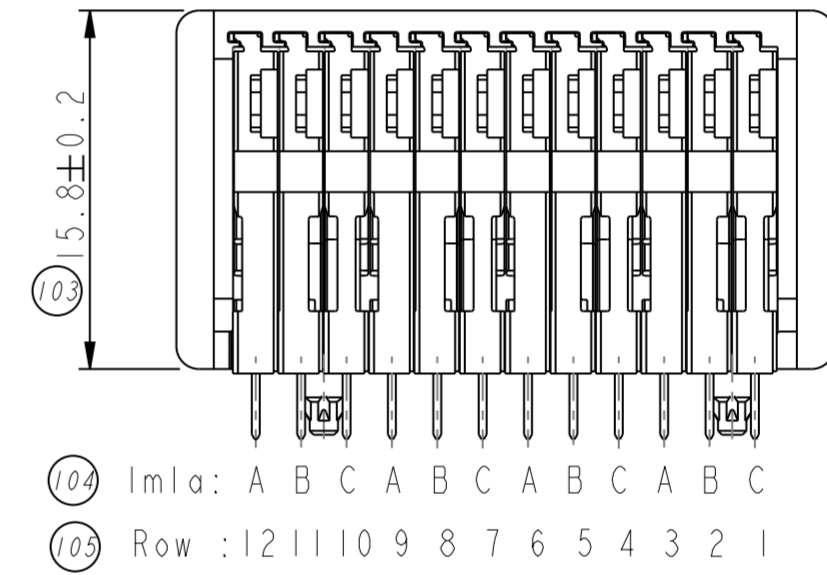
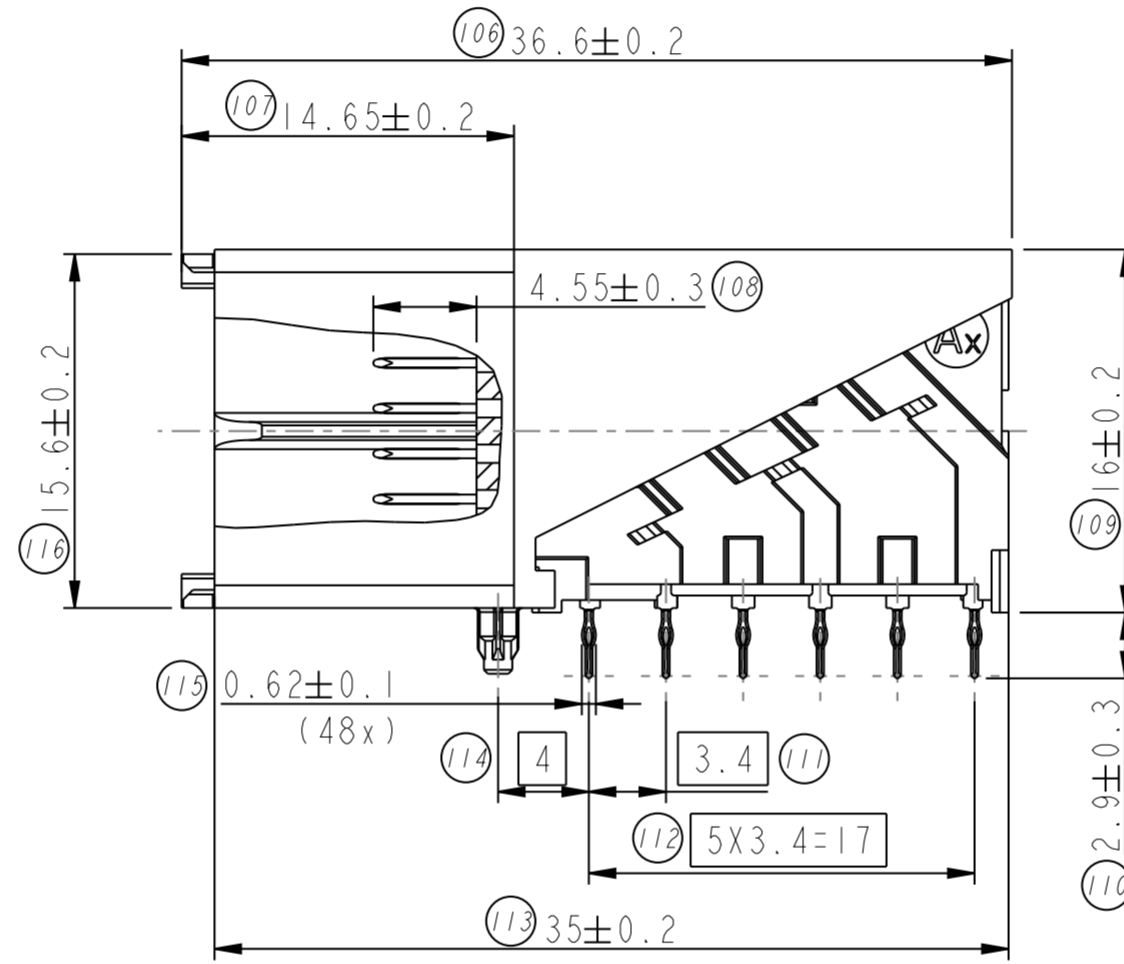
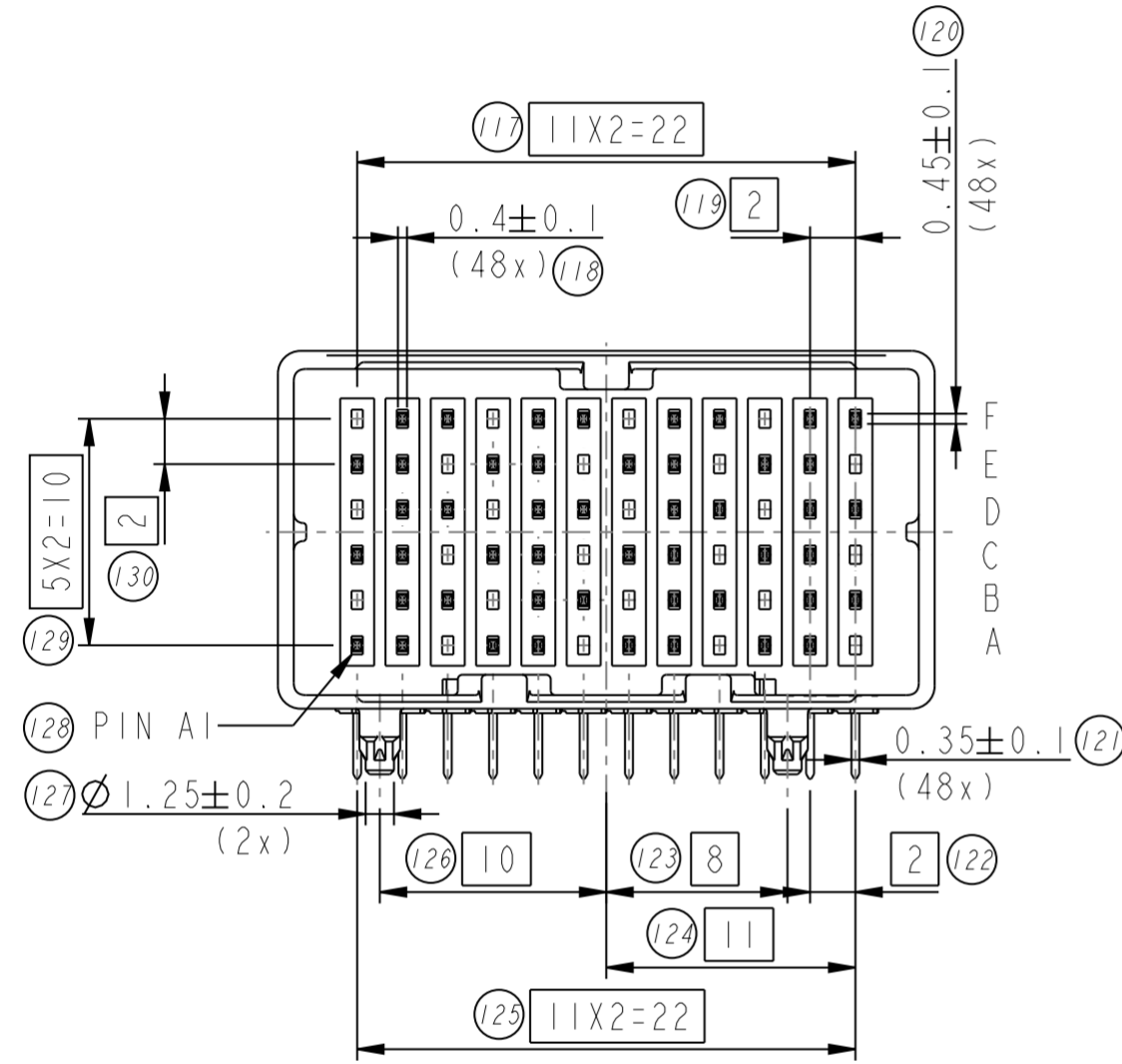
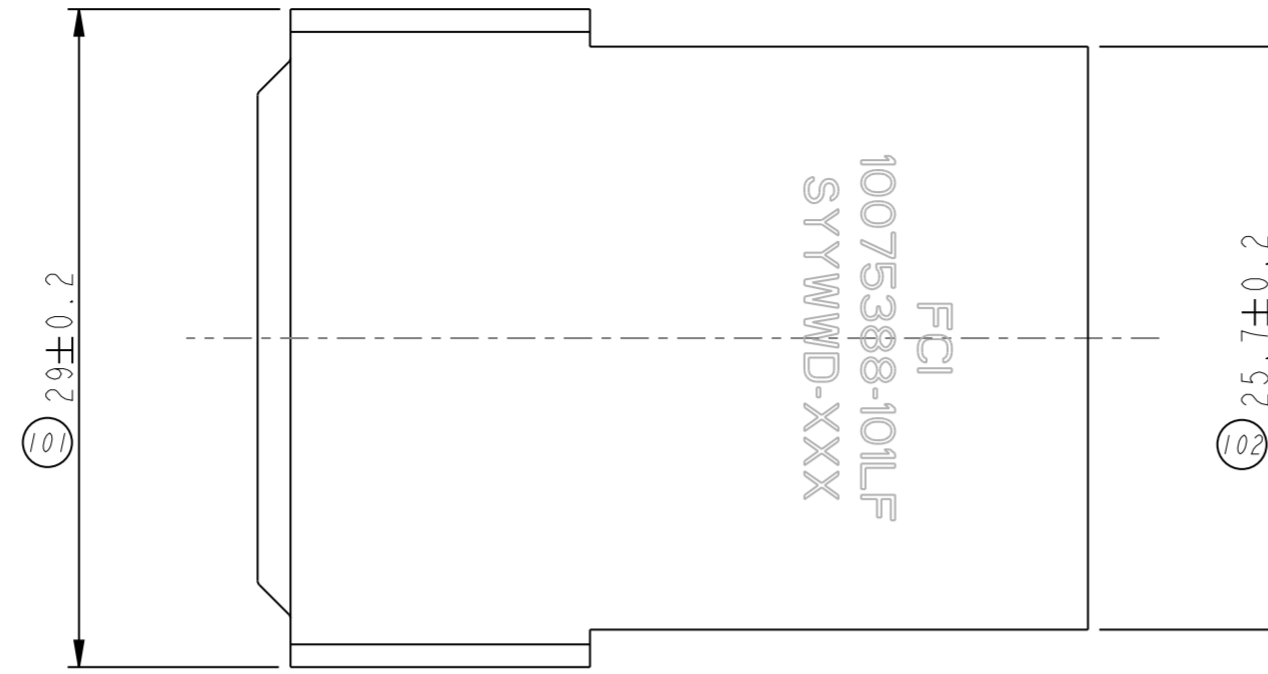


PRODUCT NUMBER
10075388-101LF

RA HEADER BOARD CONNECTOR
24 PAIRS ON 2MM PITCH



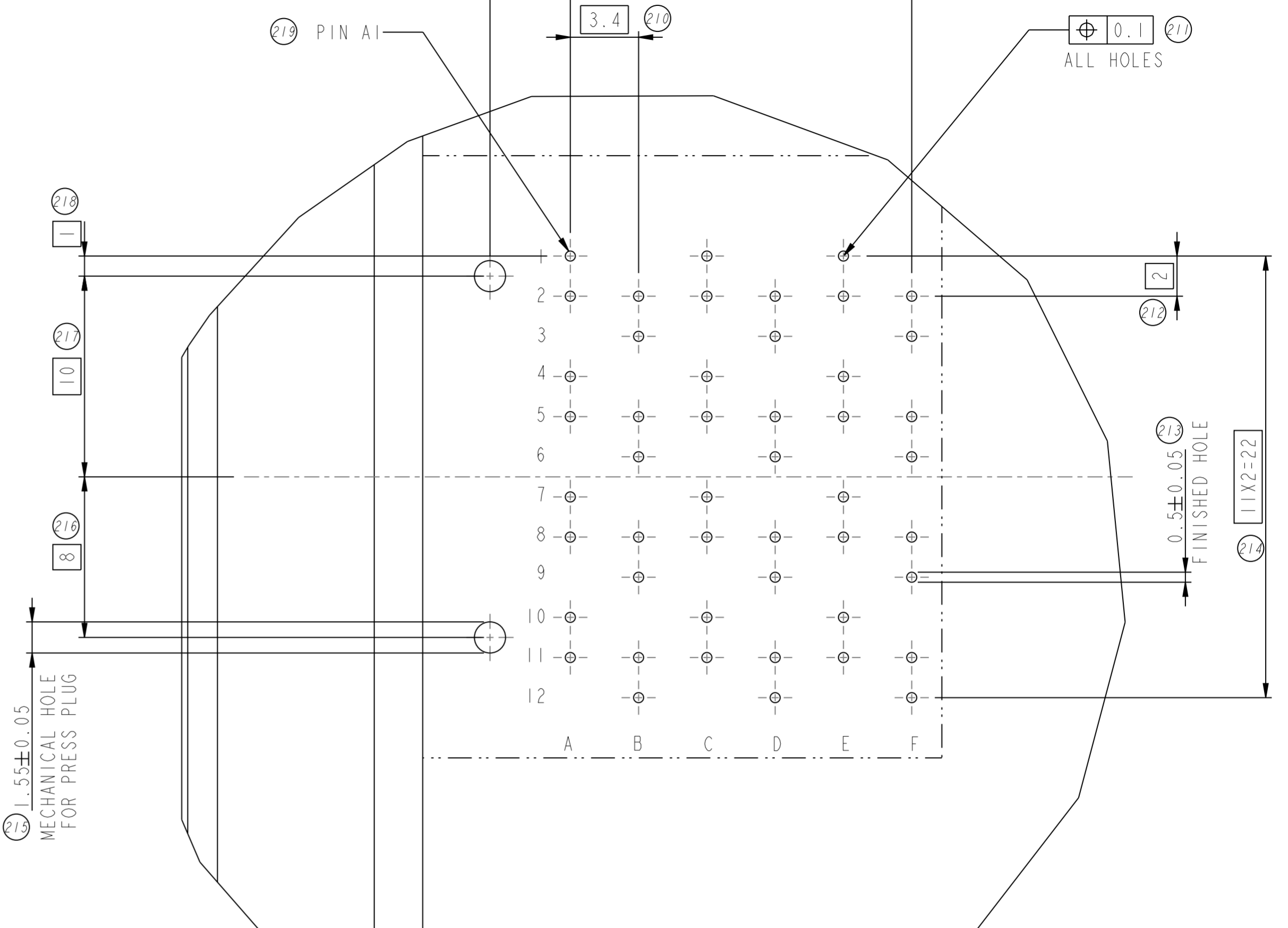
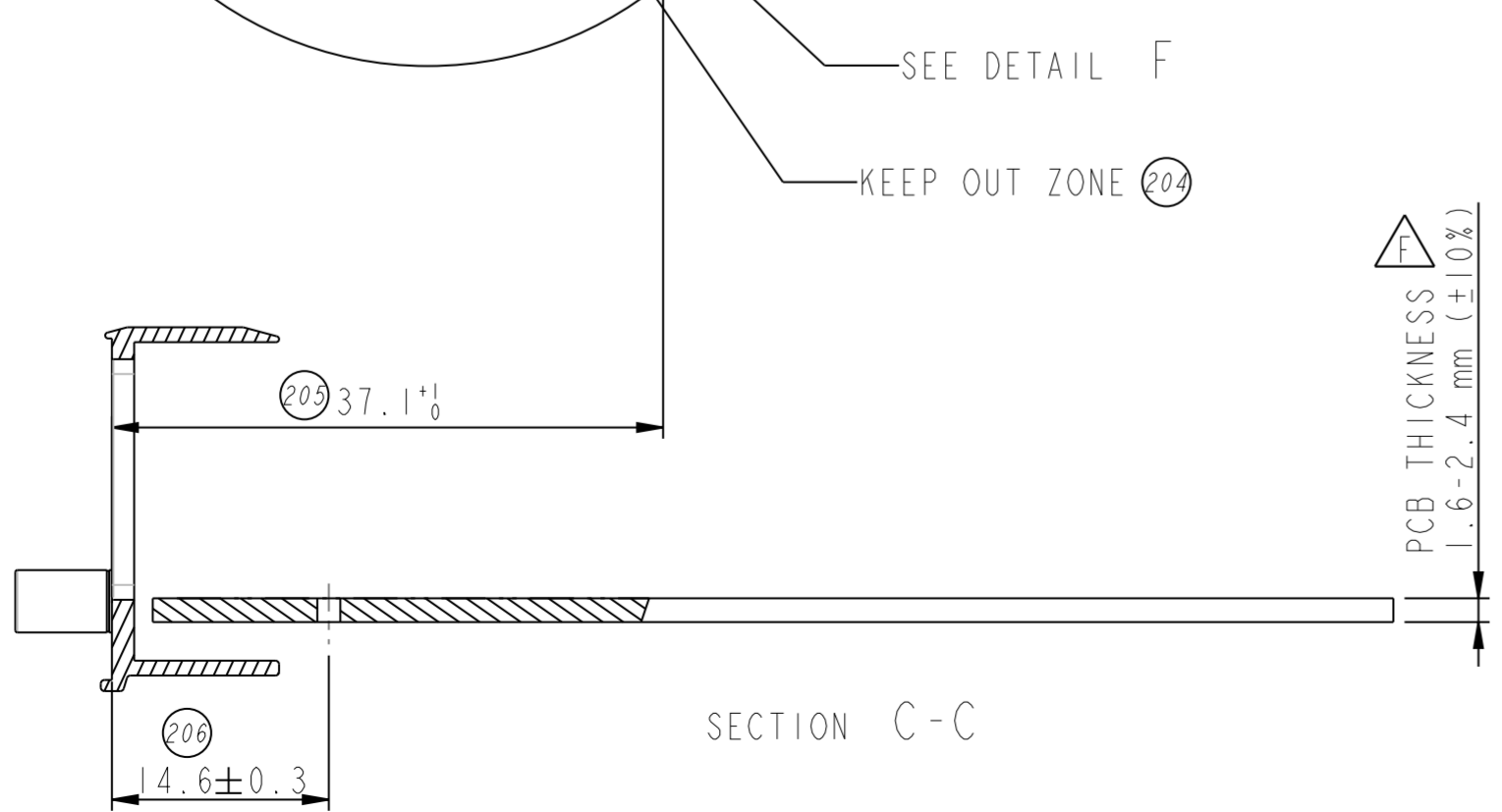
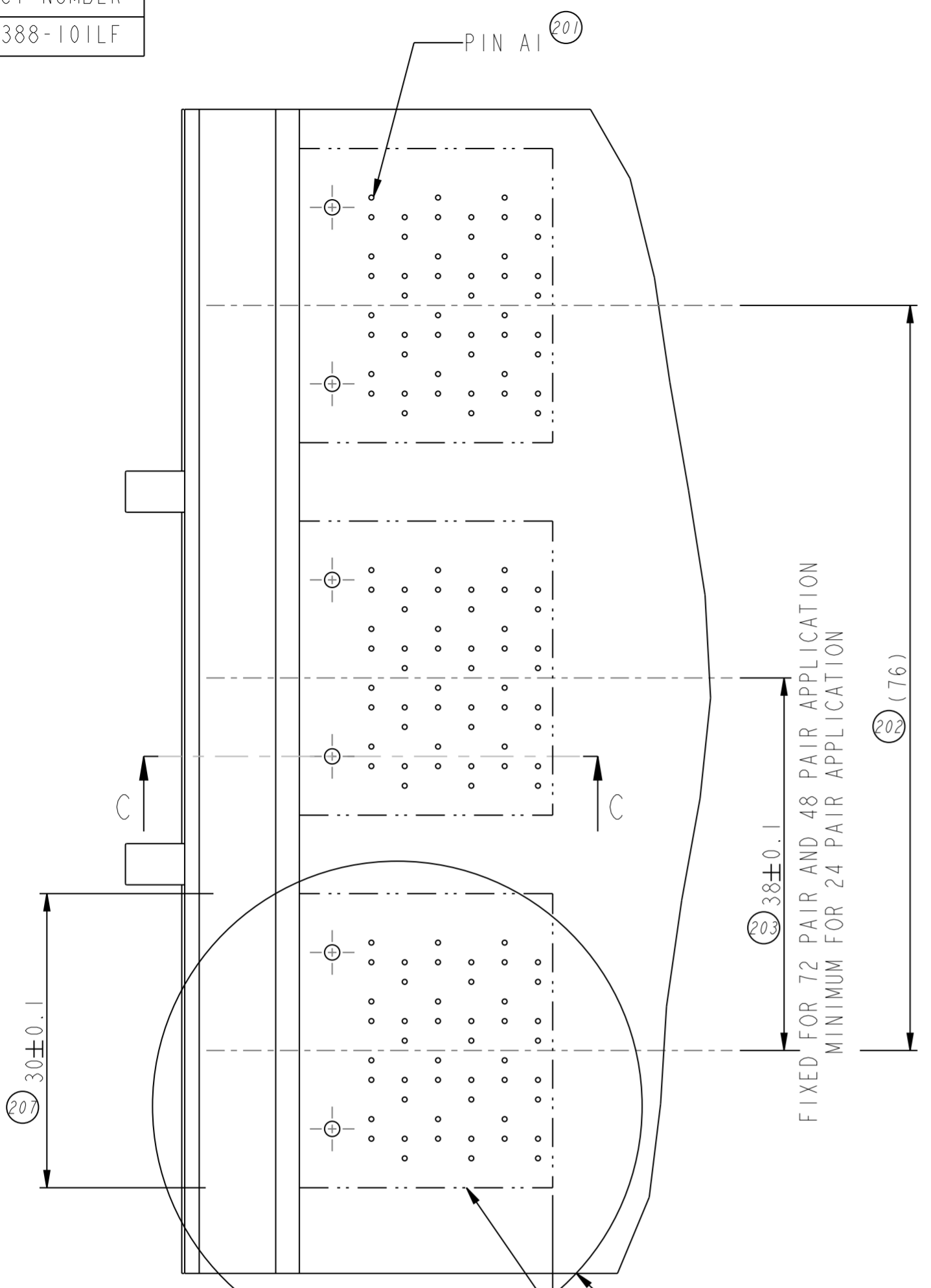
rev	ecn no	dr	date
A	H07-0272	JDB	20071205
B	H08-0042	JDB	20080331
C	H08-0061	SM	20080428
D	H09-0010	PEP	20090116
E	H09-0068	JDB	20090513
F	109-0099	SAL	20090618

www.fci.com		surface - ✓	tolerance std ISO 406 / ISO 1101	projection	MM
		TOLERANCES UNLESS OTHERWISE SPECIFIED		⊕	↔
Dr	S.MANOCHARAN	2007-12-03	ANGULAR	0.x ±	size A2
Eng	J.DE BRUIJN	2007-12-05	LINEAR	0.xx ±	Scale 3:1
Chr	-	-	0° ±	0.xxx ±	ECN 109-0099
Appr	J.DE BRUIJN	2007-12-05	Product family	METRAL	Spec ref -
FCI logo		RA HEADER BOARD CONN.		eng no	10075388
		METRAL HDXS BOARD CONNECTOR		Rev.	F
		catalog no		CUSTOMER	sheet 1 of 4

Highest Ballon Number: 130
Removed Ballon Number:

PRODUCT NUMBER
10075388-101LF

A
B
C
D
E
F



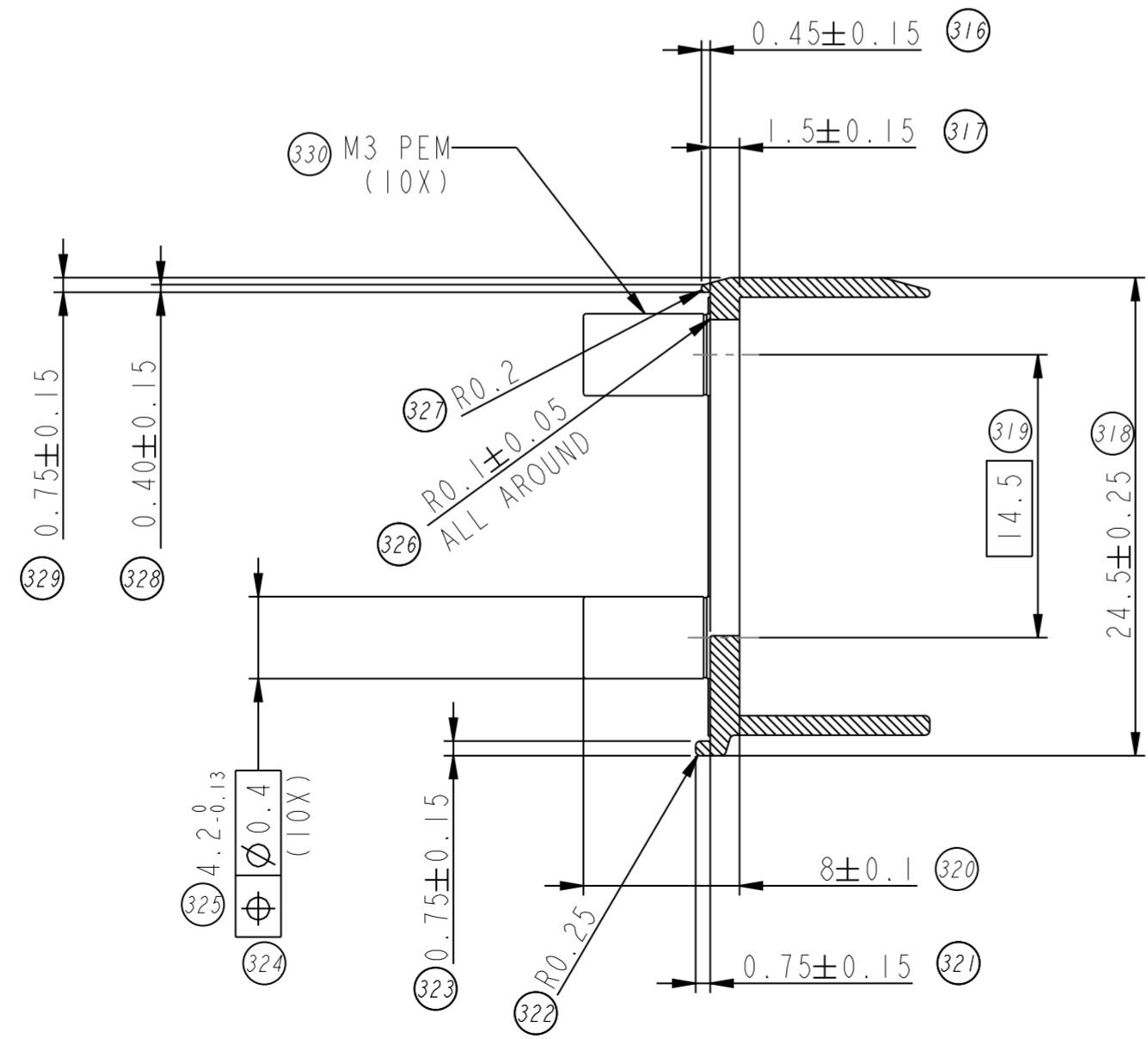
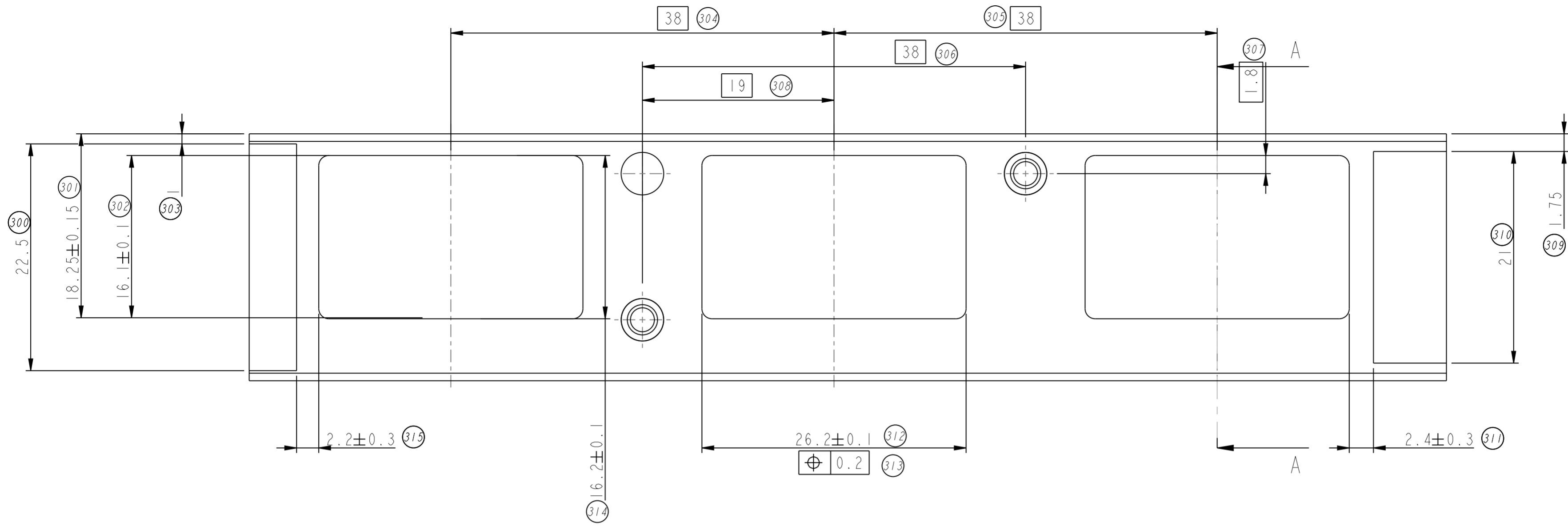
DETAIL F
SCALE 5:1

SIGNAL PTH DETAILS	
DRILLED HOLE	0.58-0.62 mm
COPPER PLATING	25-50 μm
TIN PLATING	0.8-1.2 μm
FINISHED HOLE DIA.	0.46-0.55 mm

www.fci.com		surface	tolerance std	projection	MM
		ISO 1302	ISO 406 / ISO 1101		
		TOLERANCES UNLESS OTHERWISE SPECIFIED			
Dr	S.MANOCHARAN	2007-12-03	ANGULAR	0.x	±
Eng	J.DE BRUIJN	2007-12-05	LINEAR	0.xx	±
Chr	-	-	0° ±°	0.xxx	±
Appr	J.DE BRUIJN	2007-12-05	Product family	METRAL	Spec ref
Title		RA HEADER BOARD CONN.		Draw no	10075388
Title		METRAL HDXS BOARD CONNECTOR		Rev.	F
catalog no		CUSTOMER		sheet 2 of 4	

Highest Ballon Number: 219
Removed Ballon Number:

PRODUCT NUMBER
10075388-101LF

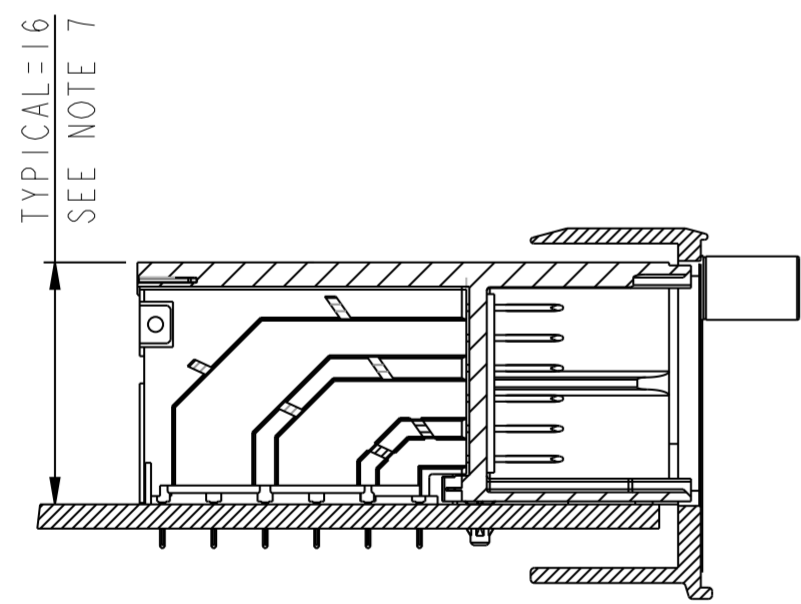
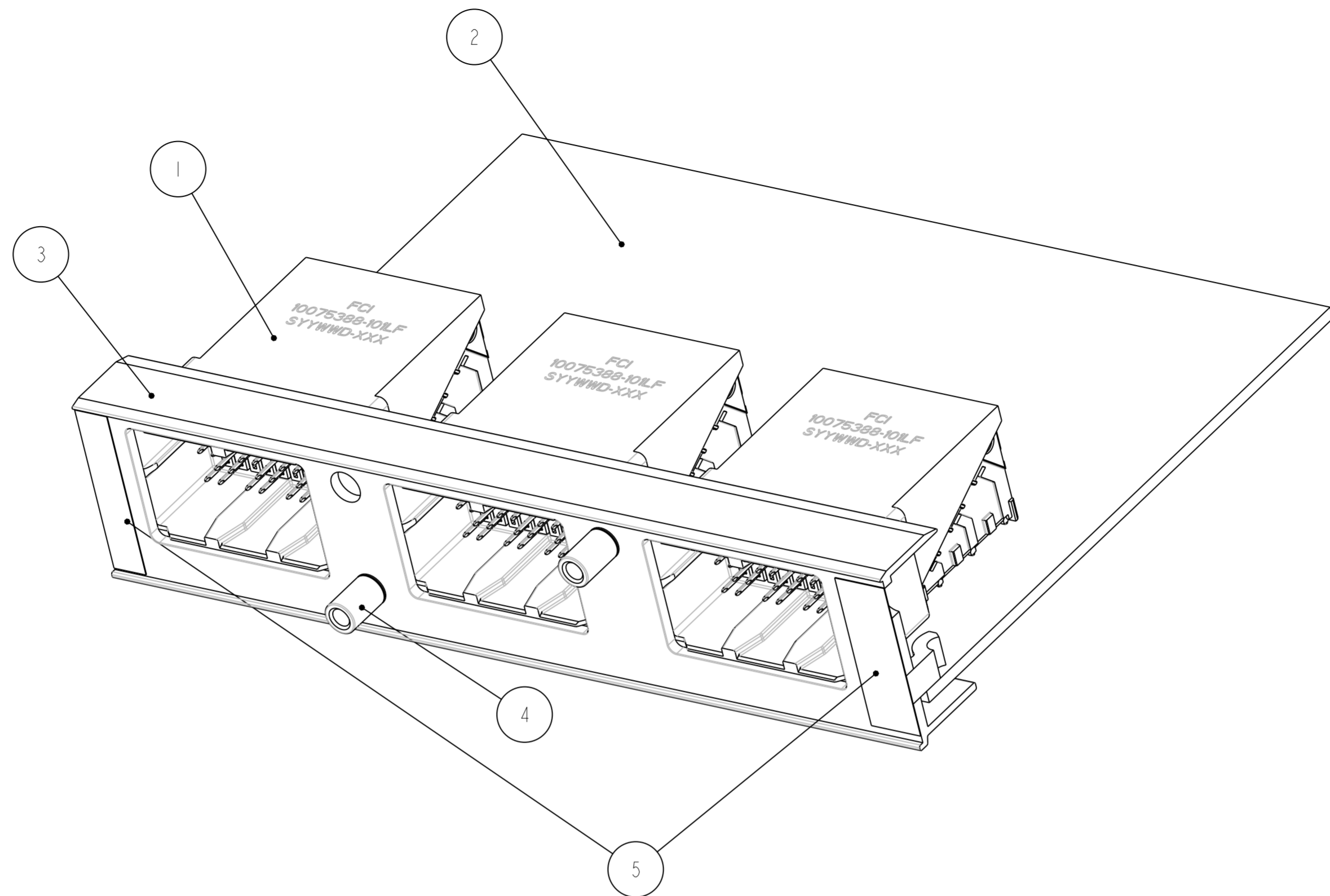


SECTION A-A
SCALE 3:1

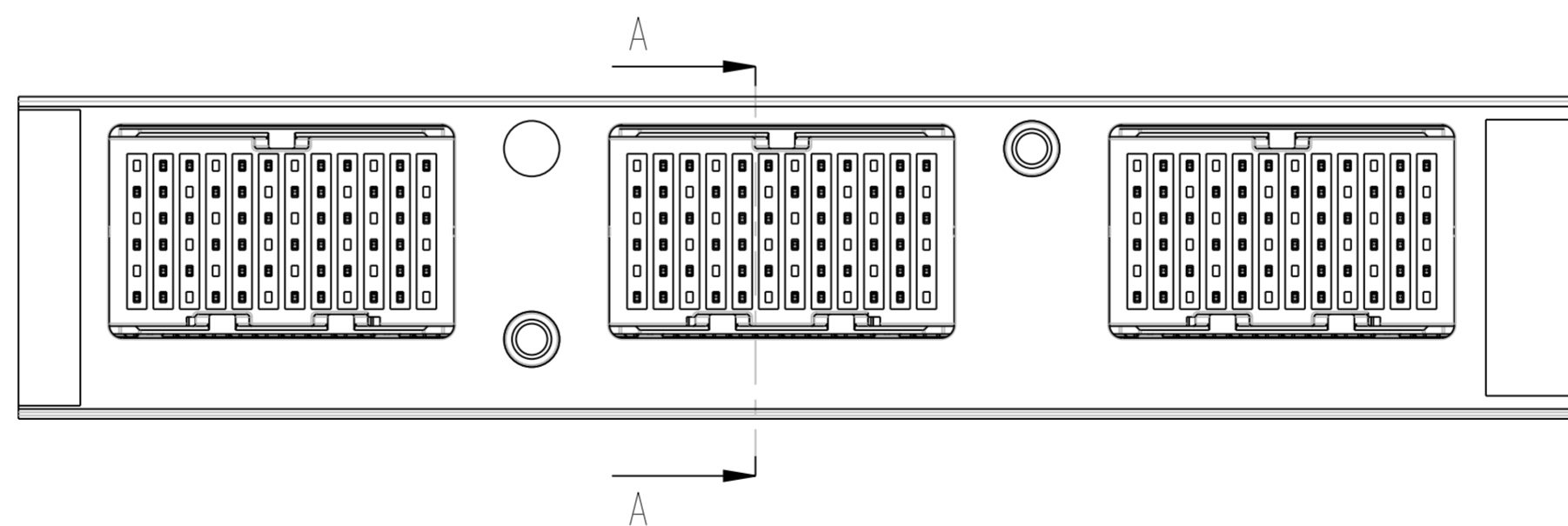
www.fci.com		surface	tolerance std	projection	MM
		ISO 1302	ISO 406 / ISO 1101		
		TOLERANCES UNLESS OTHERWISE SPECIFIED			
Dr	S.MANOCHARAN	2007-12-03	ANGULAR	0.x	±
Eng	J.DE BRUIJN	2007-12-05	LINEAR	0.xx	±
Chr	-	-	0° ±°	0.xxx	±
Appr	J.DE BRUIJN	2007-12-05	Product family	METRAL	Spec ref
Title		RA HEADER BOARD CONN.		Draw no	10075388
Title		METRAL HDXS BOARD CONNECTOR		Rev.	F
catalog no		CUSTOMER		sheet 3 of 4	

Highest Ballon Number: 330
Removed Ballon Number:

PRODUCT NUMBER
10075388-101LF



SECTION A-A
SCALE 2:1



- NOTES:
1. Product Specification : GS-12-485
 2. Application Specification : GS-20-091
 3. Packaging Specification : GS-14-1265
 4. Performance Level : Telcordia CO
 5. Flammability Classification : UL94 V0
 6. This product meets European Union Directives and other country regulations as described in GS-22-008
 7. Insertion depth for flat-rock insertion See Product Specification for more details
 8. To remove Board Connector from PCB, use removal tool 10092444-1001 acc. to instruction 10097232;
 9. Materials :
Housing : LCP
IMLA : LCP
Leadframe : Copper alloy
Performance based plating

S.No	DESCRIPTION
1	BOARD CONNECTOR
2	PCB
3	FRONT PANEL
4	PEM
5	STICKERS

www.fci.com		surface <input checked="" type="checkbox"/> ISO 1302	tolerance std ISO 406 / ISO 1101	projection	MM
TOLERANCES UNLESS OTHERWISE SPECIFIED					
Dr	S.MANOCHARAN	2007-12-03	ANGULAR	0.x ±	size A2
Eng	J.DE BRUIJN	2007-12-05	LINEAR	0.xx ±	Scale 1:1
Chr	-	-	0° ±	0.xxx ±	ECN 109-0099
Appr	J.DE BRUIJN	2007-12-05	Product family	METRAL	Spec ref -
		RA HEADER BOARD CONN.		Eng no	10075388
		METRAL HDXS BOARD CONNECTOR		Rev.	F
		catalog no		CUSTOMER	sheet 4 of 4