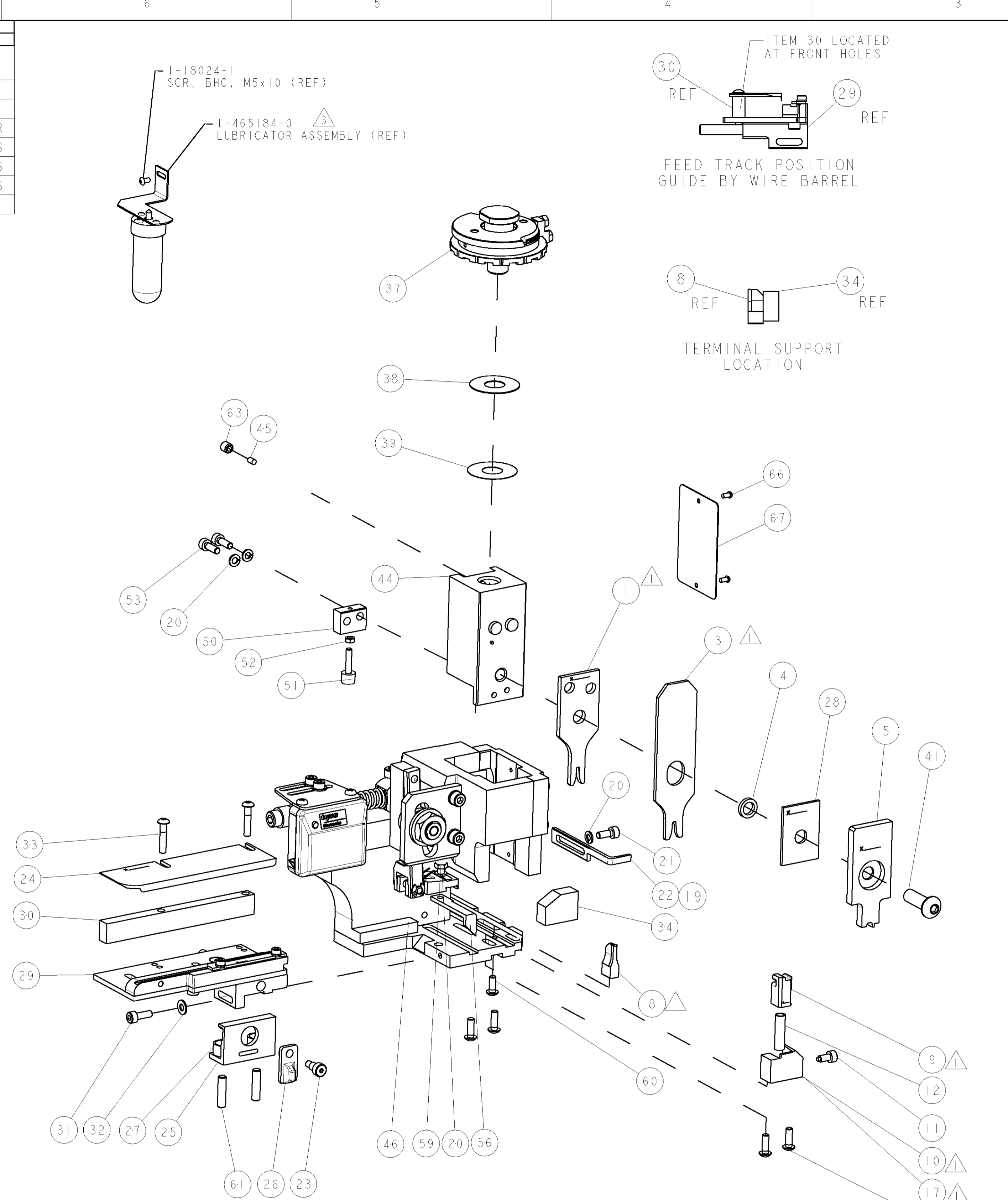


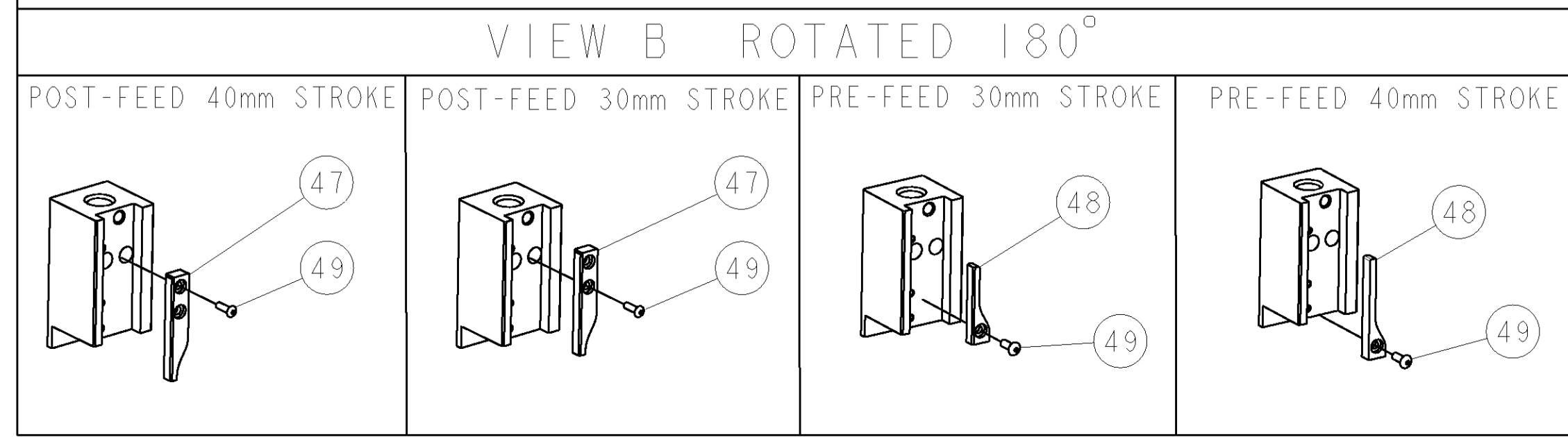
PART NUMBER	REV	TERMINATOR	FEED TYPE	DESCRIPTION
1528645-1	A	LEADMAKER	MECH POST FEED	CUTS CARRIER
1528645-2	A	BENCH	MECH PRE FEED	CUTS CARRIER
1528645-6	A	LEADMAKER	MECH POST FEED	CONTINUOUS CARRIER
7-1528645-1	A	LEADMAKER	MECH POST FEED	-1 AND SPARE PARTS
7-1528645-2	A	BENCH	MECH PRE FEED	-2 AND SPARE PARTS
7-1528645-6	A	LEADMAKER	MECH POST FEED	-6 AND SPARE PARTS
7-1528645-7	A	-	-	SPARE PARTS KIT

CRIMP DATA		LEAR/GHW TERMINAL		LEAR CRIMP SPEC	
TERMINAL NAME: AFK FEMALE TERMINAL 2.8 X 0.8					
CRIMP	SIZE	TYPE	RANGE		
WIRE	1.78 [1.070 IN]	F	0.50mm ² -1.00mm ²		
INSUL	2.69 [1.106 IN]	OV	1.40-2.00 [1.055-.079 IN]		
WIRE STRIP LENGTH 4.00-4.50 [1.57-.177 IN]		APPL INSTRUCTIONS 408-8322 & 408-8490			
TERMINAL APPL SPEC	LEAR CRIMP DATA SHEET 26701	FEED		11.68 [4.460 IN]	
TERMINALS APPLIED					
TYCO PN	MANUF'S PN				
1949038-1	26701.201.185				
1949038-2	26701.201.702				
WIRE SIZE	CRIMP HEIGHT	REF SETTING			
1.00mm ²	1.35 ±0.05 [1.053 ±.002 IN]	B5			
0.75mm ²	1.25 ±0.05 [1.049 ±.002 IN]	C3			
0.50mm ²	1.20 ±0.05 [1.047 ±.002 IN]	C6			

- △ RECOMMENDED SPARE PARTS.
- 2. GREASE RAM, CAM, CAM FOLLOWER AND FEED ROD LIGHTLY.
- △ CERTAIN TERMINALS REQUIRE LUBRICATION. REFER TO THE APPLICATOR INSTRUCTION SHEET FOR MORE INFORMATION.
- 4. LUBRICATE DAILY PER THE APPLICATOR INSTRUCTION SHEET SUPPLIED WITH THE APPLICATOR.
- △ TERMINAL APPLIES FLY TYPE INSULATION.



* WARNING
ON INSTALLATION, SET WIRE DISC TO LARGEST WIRE SIZE SETTING. USE OF SETTINGS BELOW MIN. REQUIRED CRIMP HEIGHT SETTING WILL CAUSE DAMAGE TO CRIMP TOOLING.



-77	-76	-72	-71	-6	-2	-1	PART NO	DESCRIPTION	ITEM NO
-	-	-	-	-	-	-			84
-	-	-	-	-	-	-			83
-	-	-	-	-	-	-			82
-	-	-	-	-	-	-			81
-	-	-	-	-	-	-			80
-	-	-	-	-	-	-			79
-	-	-	-	-	-	-			78
-	-	-	-	-	-	-			77
-	-	-	-	-	-	-			76
-	-	-	-	-	-	-			75
-	-	-	-	-	-	-			74

SET UP GAGE
458637-3

REV A		DIST 66		REVISIONS				
LOC	REV	DATE	BY	APPD	DESCRIPTION	DATE	BY	APPD
A	1	09JUN2006	DP	MC	SEE ECO-06-013741			

-	-	-	-	-	-	-	-	-	73
-	-	-	-	-	-	-	-	-	72
-	-	-	-	-	-	-	-	-	71
-	-	-	-	-	-	-	-	-	70
-	-	-	-	-	-	-	-	-	69
-	-	-	-	-	-	-	-	-	68
-	-	-	-	-	-	-	-	-	67
-	-	-	-	-	-	-	-	-	66
-	-	-	-	-	-	-	-	-	65
-	-	-	-	-	-	-	-	-	64
-	-	-	-	-	-	-	-	-	63
-	-	-	-	-	-	-	-	-	62
-	-	-	-	-	-	-	-	-	61
-	-	-	-	-	-	-	-	-	60
-	-	-	-	-	-	-	-	-	59
-	-	-	-	-	-	-	-	-	58
-	-	-	-	-	-	-	-	-	57
-	-	-	-	-	-	-	-	-	56
-	-	-	-	-	-	-	-	-	55
-	-	-	-	-	-	-	-	-	54
-	-	-	-	-	-	-	-	-	53
-	-	-	-	-	-	-	-	-	52
-	-	-	-	-	-	-	-	-	51
-	-	-	-	-	-	-	-	-	50
-	-	-	-	-	-	-	-	-	49
-	-	-	-	-	-	-	-	-	48
-	-	-	-	-	-	-	-	-	47
-	-	-	-	-	-	-	-	-	46
-	-	-	-	-	-	-	-	-	45
-	-	-	-	-	-	-	-	-	44
-	-	-	-	-	-	-	-	-	43
-	-	-	-	-	-	-	-	-	42
-	-	-	-	-	-	-	-	-	41
-	-	-	-	-	-	-	-	-	40
-	-	-	-	-	-	-	-	-	39
-	-	-	-	-	-	-	-	-	38
-	-	-	-	-	-	-	-	-	37
-	-	-	-	-	-	-	-	-	36
-	-	-	-	-	-	-	-	-	35
-	-	-	-	-	-	-	-	-	34
-	-	-	-	-	-	-	-	-	33
-	-	-	-	-	-	-	-	-	32
-	-	-	-	-	-	-	-	-	31
-	-	-	-	-	-	-	-	-	30
-	-	-	-	-	-	-	-	-	29
-	-	-	-	-	-	-	-	-	28
-	-	-	-	-	-	-	-	-	27
-	-	-	-	-	-	-	-	-	26
-	-	-	-	-	-	-	-	-	25
-	-	-	-	-	-	-	-	-	24
-	-	-	-	-	-	-	-	-	23
-	-	-	-	-	-	-	-	-	22
-	-	-	-	-	-	-	-	-	21
-	-	-	-	-	-	-	-	-	20
-	-	-	-	-	-	-	-	-	19
-	-	-	-	-	-	-	-	-	18
-	-	-	-	-	-	-	-	-	17
-	-	-	-	-	-	-	-	-	16
-	-	-	-	-	-	-	-	-	15
-	-	-	-	-	-	-	-	-	14
-	-	-	-	-	-	-	-	-	13
-	-	-	-	-	-	-	-	-	12
-	-	-	-	-	-	-	-	-	11
-	-	-	-	-	-	-	-	-	10
-	-	-	-	-	-	-	-	-	9
-	-	-	-	-	-	-	-	-	8
-	-	-	-	-	-	-	-	-	7
-	-	-	-	-	-	-	-	-	6
-	-	-	-	-	-	-	-	-	5
-	-	-	-	-	-	-	-	-	4
-	-	-	-	-	-	-	-	-	3
-	-	-	-	-	-	-	-	-	2
-	-	-	-	-	-	-	-	-	1

LOC	REV	DATE	BY	APPD	DESCRIPTION	DATE	BY	APPD
A	1	26APR2006	DP	MC	PROUSE			

DIMENSIONS:	TOLERANCES UNLESS OTHERWISE SPECIFIED:	APPROVED:	NAME:
mm [IN]	0 PLC ± 1 PLC ± 2 PLC ± 3 PLC ± 4 PLC ± ANGLES ±	M. CLIFFORD	M. CLIFFORD

MATERIAL:	FINISH:	WEIGHT:	SCALE:	SHEET:	OF:	REV:
-	-	-	3:5	1	1	A

TYCO	DESCRIPTION	ITEM NO
1528645-1	LEADMAKER MECH POST FEED CUTS CARRIER	1
1528645-2	BENCH MECH PRE FEED CUTS CARRIER	2
1528645-6	LEADMAKER MECH POST FEED CONTINUOUS CARRIER	3
7-1528645-1	LEADMAKER MECH POST FEED -1 AND SPARE PARTS	4
7-1528645-2	BENCH MECH PRE FEED -2 AND SPARE PARTS	5
7-1528645-6	LEADMAKER MECH POST FEED -6 AND SPARE PARTS	6
7-1528645-7	SPARE PARTS KIT	7