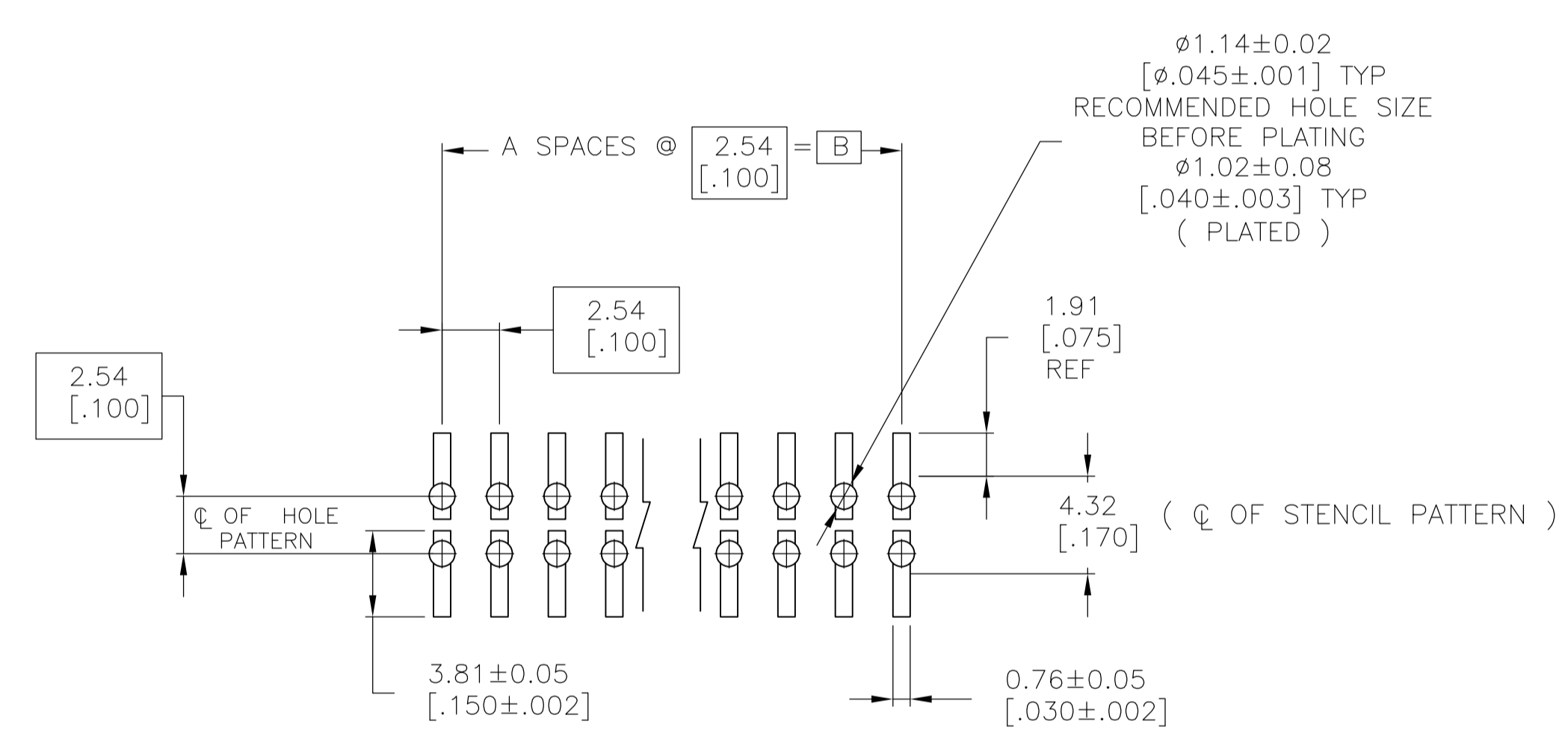
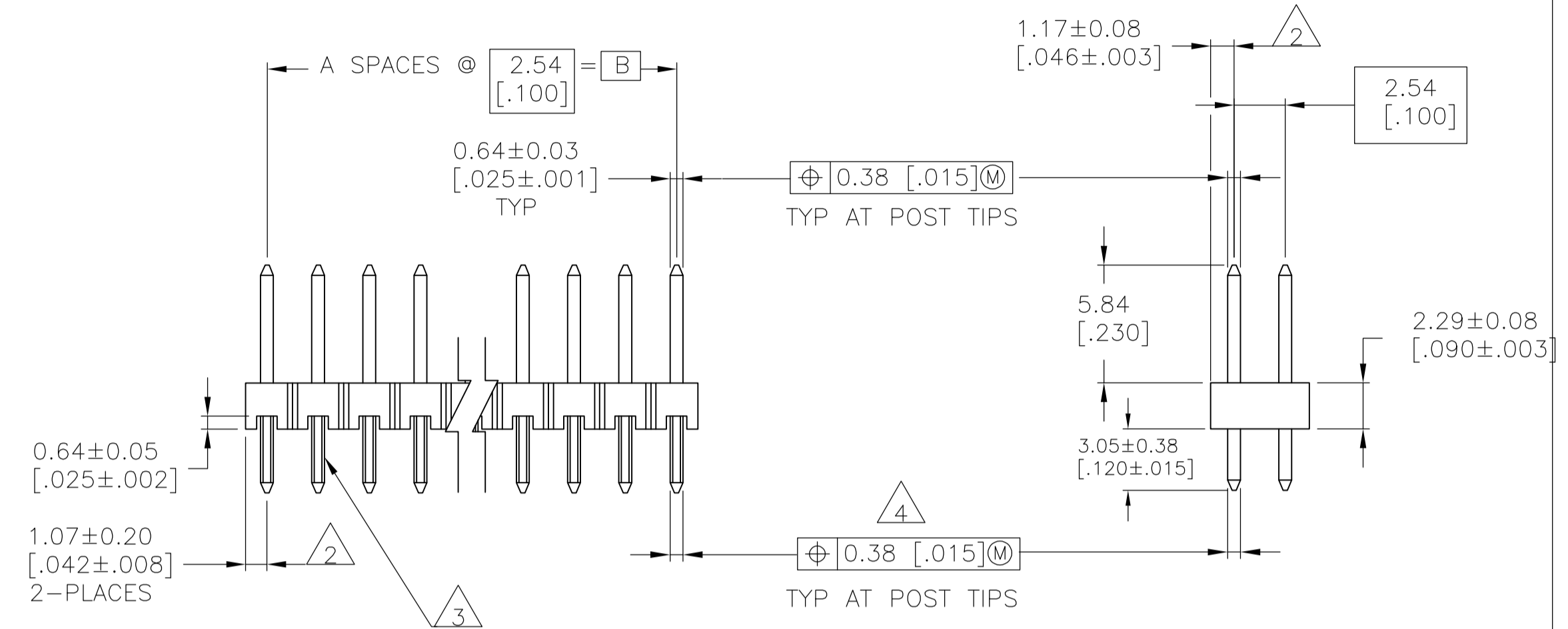
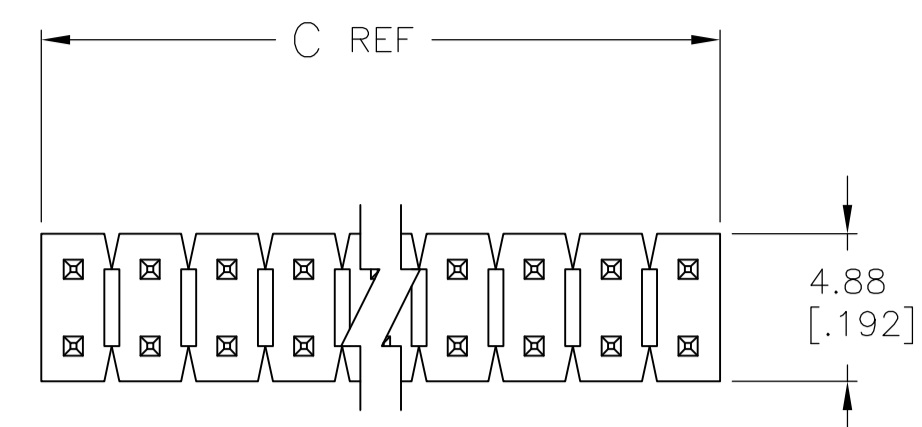


REVISED PER		DESCRIPTION	DATE	BY	APPV
K	EC 0G3C 0169 05		23APR05	BSV	JLG
K1	REVISED PER ECO-09-024606		31OCT09	KK	AEG



RECOMMENDED PC BOARD MOUNTING DIMENSIONS FOR .063 [1.60] THICK PC BOARD AND .012 [0.305] STENCIL THICK.

- TRUE POSITION TOLERANCE OF THE POST TIPS APPLIES WHEN THE HEADER IS HELD FLAT AGAINST THE PRINTED CIRCUIT BOARD.
- THE NOTED DIMENSIONS APPLY AT THE INTERSECTION OF THE POST AND HOUSING.
- RETENTION FEATURES ON SOLDER TAILS, LOCATED AT MANUFACTURERS OPTION.
- Ø 0.51 [0.020] FOR KINKED TAILS.
- 0.00254-0.00508 [0.000100-0.000200] MATTE TIN-LEAD OVER 0.00127 [0.000050] NICKEL.
- HOUSING: LCP, COLOR-BLACK.
- POST: PHOSPHOR BRONZE
- 0.00254-0.00508 [0.000100-0.000200] MATTE TIN OVER 0.00127 [0.000050] NICKEL.
- PRELIMINARY PART - NOT RELEASED FOR PRODUCTION.
- .000100-.000200 BRIGHT TIN OVER .000050 NICKEL.
- OBsolete PARTS: OBsolete CIS STREAMLINING PER D.RENAUD/D.SINISI

C	B	A	PLATING	NO. OF POSITIONS	PART NUMBER
101.19 [3.984]	99.06 [3.900]	39	8	80	9-146266-0
98.65 [3.884]	96.52 [3.800]	38	8	78	8-146266-9
96.11 [3.784]	93.98 [3.700]	37	8	76	8-146266-8
93.57 [3.684]	91.44 [3.600]	36	8	74	8-146266-7
91.03 [3.584]	88.90 [3.500]	35	8	72	8-146266-6
88.49 [3.484]	86.36 [3.400]	34	8	70	8-146266-5
85.95 [3.384]	83.82 [3.300]	33	8	68	8-146266-4
83.41 [3.284]	81.28 [3.200]	32	8	66	8-146266-3
80.87 [3.184]	78.74 [3.100]	31	8	64	8-146266-2
78.33 [3.084]	76.20 [3.000]	30	8	62	8-146266-1
75.79 [2.984]	73.66 [2.900]	29	8	60	8-146266-0
73.25 [2.884]	71.12 [2.800]	28	8	58	7-146266-9
70.71 [2.784]	68.58 [2.700]	27	8	56	7-146266-8
68.17 [2.684]	66.04 [2.600]	26	8	54	7-146266-7
65.63 [2.584]	63.5 [2.500]	25	8	52	7-146266-6
63.09 [2.484]	60.96 [2.400]	24	8	50	7-146266-5
60.55 [2.384]	58.42 [2.300]	23	8	48	7-146266-4
58.01 [2.284]	55.88 [2.200]	22	8	46	7-146266-3
55.47 [2.184]	53.34 [2.100]	21	8	44	7-146266-2
52.93 [2.084]	50.80 [2.000]	20	8	42	7-146266-1
50.39 [1.984]	48.26 [1.900]	19	8	40	7-146266-0
47.85 [1.884]	45.72 [1.800]	18	8	38	6-146266-9
45.31 [1.784]	43.18 [1.700]	17	8	36	6-146266-8
42.77 [1.684]	40.64 [1.600]	16	8	34	6-146266-7
40.23 [1.584]	38.10 [1.500]	15	8	32	6-146266-6
37.69 [1.484]	35.56 [1.400]	14	8	30	6-146266-5
35.15 [1.384]	33.02 [1.300]	13	8	28	6-146266-4
32.61 [1.284]	30.48 [1.200]	12	8	26	6-146266-3
30.07 [1.184]	27.94 [1.100]	11	8	24	6-146266-2
27.53 [1.084]	25.40 [1.000]	10	8	22	6-146266-1
24.99 [0.984]	22.86 [0.900]	9	8	20	6-146266-0
22.45 [0.884]	20.32 [0.800]	8	8	18	5-146266-9
19.91 [0.784]	17.78 [0.700]	7	8	16	5-146266-8
17.37 [0.684]	15.24 [0.600]	6	8	14	5-146266-7
14.83 [0.584]	12.70 [0.500]	5	8	12	5-146266-6
12.29 [0.484]	10.16 [0.400]	4	8	10	5-146266-5
9.75 [0.384]	7.62 [0.300]	3	8	8	5-146266-4
7.21 [0.284]	5.08 [0.200]	2	8	6	5-146266-3
4.67 [0.184]	2.54 [0.100]	1	8	4	5-146266-2
2.13 [0.084]	-	-	8	2	5-146266-1

C	B	A	PLATING	NO. OF POSITIONS	PART NUMBER
17.37 [0.684]	15.24 [0.600]	6	8	14	4-146266-2
101.19 [3.984]	99.06 [3.900]	39	8	80	4-146266-1
101.19 [3.984]	99.06 [3.900]	39	5	80	4-146266-0
98.65 [3.884]	96.52 [3.800]	38	5	78	3-146266-9
96.11 [3.784]	93.98 [3.700]	37	5	76	3-146266-8
93.57 [3.684]	91.44 [3.600]	36	5	74	3-146266-7
91.03 [3.584]	88.90 [3.500]	35	5	72	3-146266-6
88.49 [3.484]	86.36 [3.400]	34	5	70	3-146266-5
85.95 [3.384]	83.82 [3.300]	33	5	68	3-146266-4
83.41 [3.284]	81.28 [3.200]	32	5	66	3-146266-3
80.87 [3.184]	78.74 [3.100]	31	5	64	3-146266-2
78.33 [3.084]	76.20 [3.000]	30	5	62	3-146266-1
75.79 [2.984]	73.66 [2.900]	29	5	60	3-146266-0
73.25 [2.884]	71.12 [2.800]	28	5	58	2-146266-9
70.71 [2.784]	68.58 [2.700]	27	5	56	2-146266-8
68.17 [2.684]	66.04 [2.600]	26	5	54	2-146266-7
65.63 [2.584]	63.5 [2.500]	25	5	52	2-146266-6
63.09 [2.484]	60.96 [2.400]	24	5	50	2-146266-5
60.55 [2.384]	58.42 [2.300]	23	5	48	2-146266-4
58.01 [2.284]	55.88 [2.200]	22	5	46	2-146266-3
55.47 [2.184]	53.34 [2.100]	21	5	44	2-146266-2
52.93 [2.084]	50.80 [2.000]	20	5	42	2-146266-1
50.39 [1.984]	48.26 [1.900]	19	5	40	2-146266-0
47.85 [1.884]	45.72 [1.800]	18	5	38	1-146266-9
45.31 [1.784]	43.18 [1.700]	17	5	36	1-146266-8
42.77 [1.684]	40.64 [1.600]	16	5	34	1-146266-7
40.23 [1.584]	38.10 [1.500]	15	5	32	1-146266-6
37.69 [1.484]	35.56 [1.400]	14	5	30	1-146266-5
35.15 [1.384]	33.02 [1.300]	13	5	28	1-146266-4
32.61 [1.284]	30.48 [1.200]	12	5	26	1-146266-3
30.07 [1.184]	27.94 [1.100]	11	5	24	1-146266-2
27.53 [1.084]	25.40 [1.000]	10	5	22	1-146266-1
24.99 [0.984]	22.86 [0.900]	9	5	20	1-146266-0
22.45 [0.884]	20.32 [0.800]	8	5	18	1-146266-9
19.91 [0.784]	17.78 [0.700]	7	5	16	1-146266-8
17.37 [0.684]	15.24 [0.600]	6	5	14	146266-7
14.83 [0.584]	12.70 [0.500]	5	5	12	146266-6
12.29 [0.484]	10.16 [0.400]	4	5	10	146266-5
9.75 [0.384]	7.62 [0.300]	3	5	8	146266-4
7.21 [0.284]	5.08 [0.200]	2	5	6	146266-3
4.67 [0.184]	2.54 [0.100]	1	5	4	146266-2
2.13 [0.084]	-	-	5	2	146266-1

THIS DRAWING IS A CONTROLLED DOCUMENT.

BY: T. HOFFMAN, DATE: 20C795
 CHK: G. DUBNICZKI, DATE: 20C795
 APPV: G. DUBNICZKI, DATE: 20C795

TYCO ELECTRONICS CORPORATION
 HARRISBURG, PA 17105-3608

NAME: HEADER ASSEMBLY, MOD II, BREAKAWAY, DOUBLE ROW, .100 X.100CL, VERTICAL, WITH RETENTION FEATURE, .025 SQ.POSTS, HIGH TEMPERATURE

PRODUCT SPEC: APPLICATION SPEC

SIZE: A1, DRAWING NO: 00779, PART NO: 146266

SCALE: 4:1, SHEET: 1 OF 1, REV: K1