

# HMESW - SERIES

BUL86297

REV. C

## ASSEMBLY INSTRUCTIONS FOR HMESWK/HMESWF

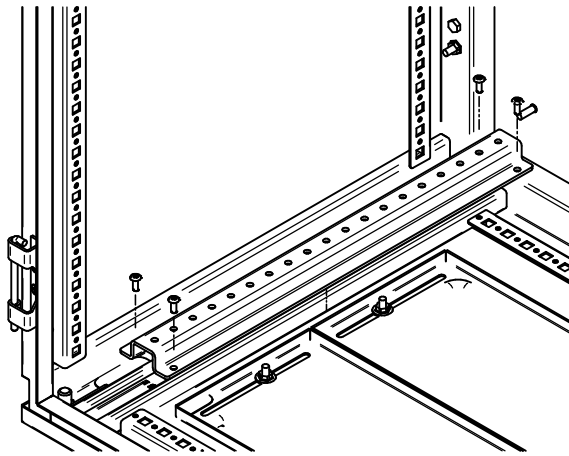


FIG 1. (BOTTOM VIEW)

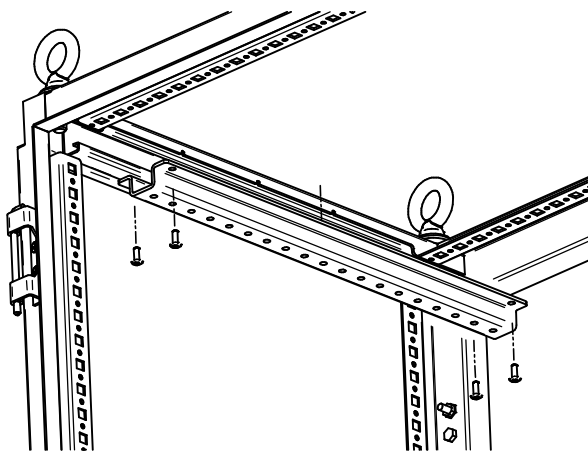


FIG 1. (TOP VIEW)

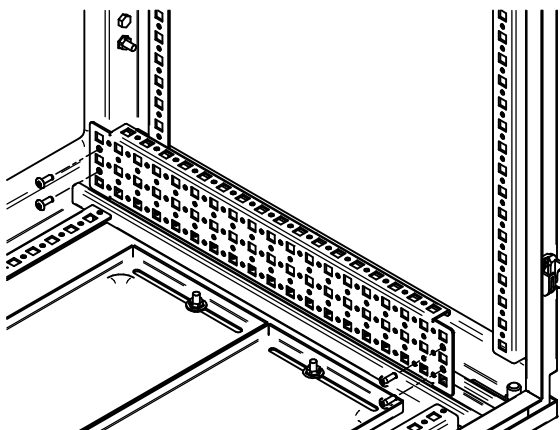


FIG 2.

### ASSEMBLY INSTRUCTIONS:

A) Install adjustable depth rails in the top and bottom of the frame. For the bottom mount the hole closest to the outside of the frame in the first hole of the grid system (FIG 1. bottom view) and secure with four #12 thread rolling screws. For the top mount the hole closest to the outside of the frame to the third hole on the grid system (FIG 1. top view) and secure with four #12 thread rolling screws.

B) Install the grid strap at the very bottom and the very top of the frames grid system (FIG 2.). Secure with four #12 thread rolling screws.

TOOL BOX



7/16" Socket  
Wrench



Phillips  
Screw Driver



 **HAMMOND  
MANUFACTURING™**

# HMESW - SERIES

BUL86297

REV. C

## ASSEMBLY INSTRUCTIONS FOR HMESWK/HMESWF

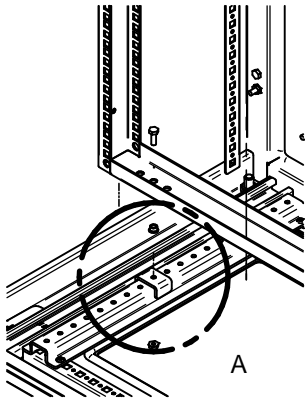


FIG 3.

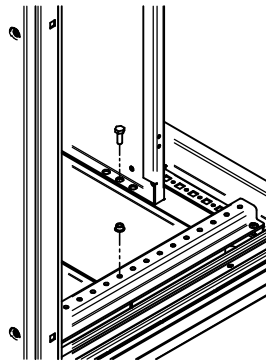
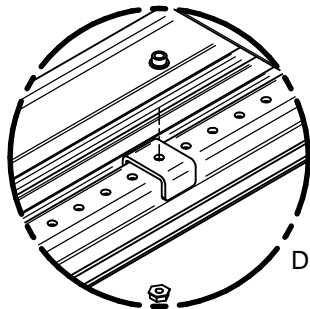


FIG 4.



DETAIL A

C) The depth swing frame/panel will be installed by selecting one of the holes on the adjustable depth rails. Place the brass bushings in the center hole of the frame/panel top and bottom. \*NOTE\* for swing frame include stainless steel spacer between bushing and depth rail (See detail A). Place frame/panel in place and insert 1/4-20 X 1" bolt through bushing, frame/panel and secure with 1/4-20 kep nuts (not shown). \*NOTE\* if more of a opening angle is desired, move adjustable depth rails over (Towards the inside of the frame/panel) one hole, and install bushing into the hole closest to the center of the frame/panel.

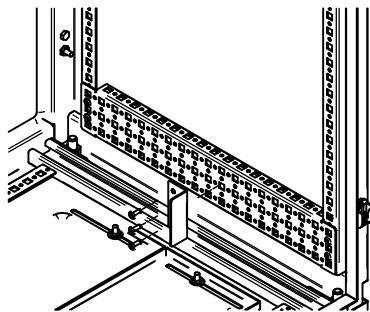


FIG 5. (800MM WIDE)

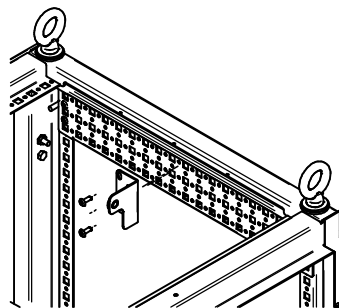


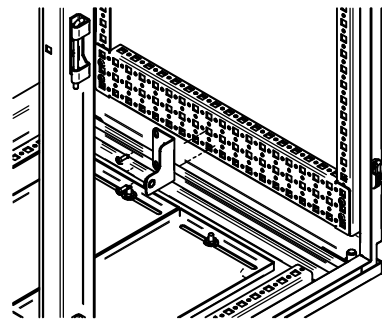
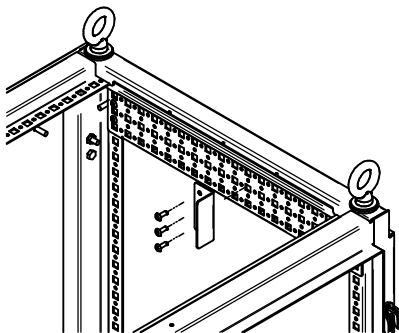
FIG 6. (600MM WIDE/SWING PANEL)

D) Install catch brackets to grid strap. For installing swing frames in 800mm wide enclosures refer to FIG 5. For installing swing frames in 600mm wide enclosures or swing panels refer to FIG 6. Secure them with two #12 thread rolling screws per bracket.

\*NOTE\*

-The bracket has two sets of mounting slots. If installing the swing frame use the outer slots, otherwise use the inner set of slots.

-For quick alignment check which hole the swing panel is mounted to on the adjustable depth rail. Install catch brackets the same number of holes in on the grid strap, only counting the rows that have three holes in them. Example, if the swing panel is on the ninth hole on the adjustable depth rail, mount the catch bracket on the ninth row of three holes.



TOOL BOX



7/16" Socket  
Wrench



Phillips  
Screw Driver



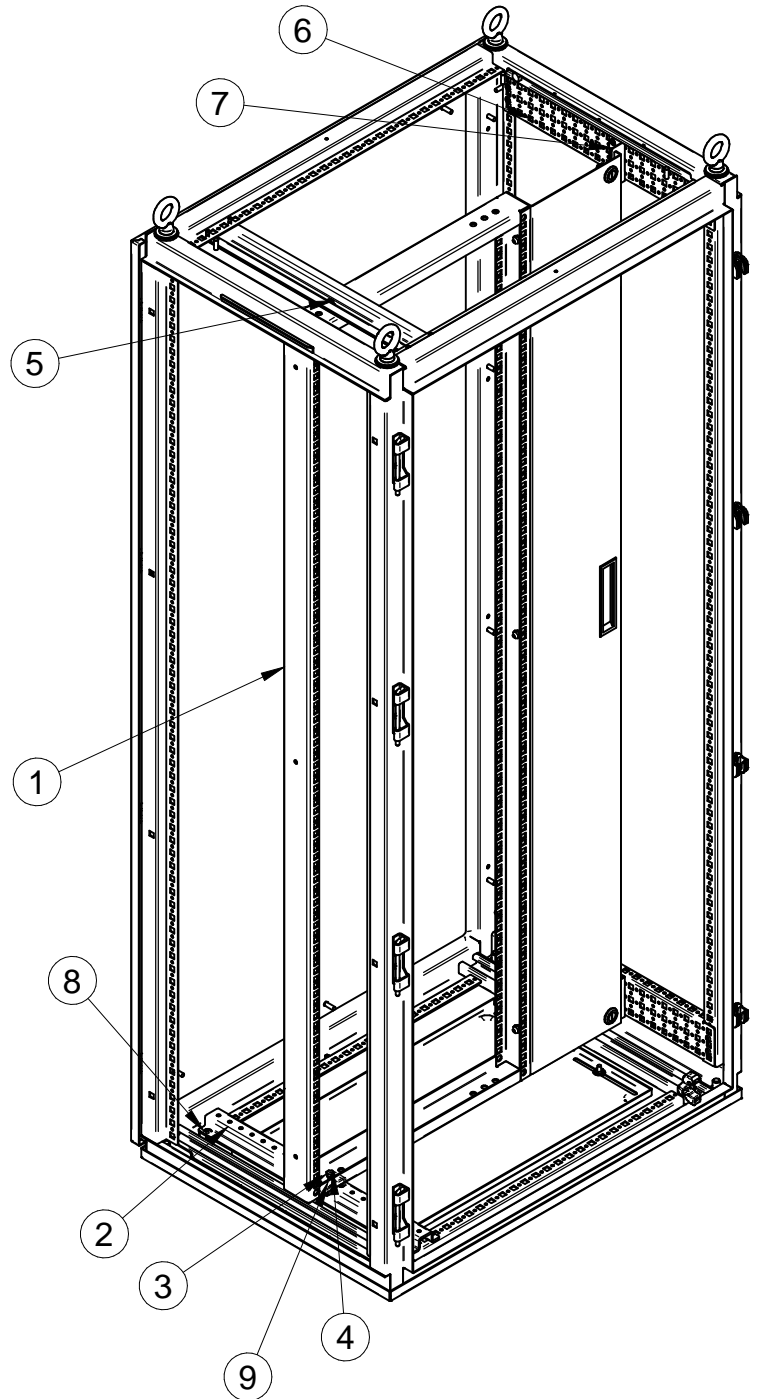
 **HAMMOND  
MANUFACTURING™**

# HMESW - SERIES

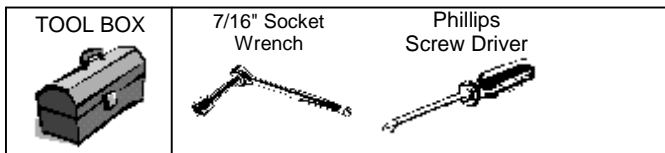
BUL86297

REV. C

## ASSEMBLY INSTRUCTIONS FOR HMESWK/HMESWF



ITEM	DESCRIPTION	QTY
1	HME - Swing Frame Assembly	1
2	HME - Swing Frame Depth Adjustment Rail	2
3	Brass Bushing	2
4	1/4-20 X 1 Hex ZP	2
5	NUT 1/4-20 Kep ZP	2
6	HME- Front To Back Grid Strap (3 Row)	2
7	HME - Swing Frame Latch Bracket	2
8	Screw - #12 X 1/2" Pan head Phillips Self Tapping	22
9	Stainless Steel Spacer	1



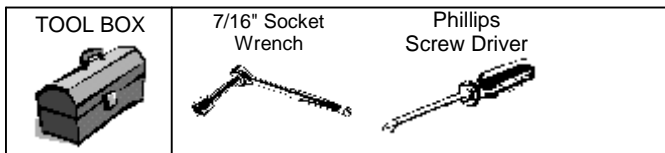
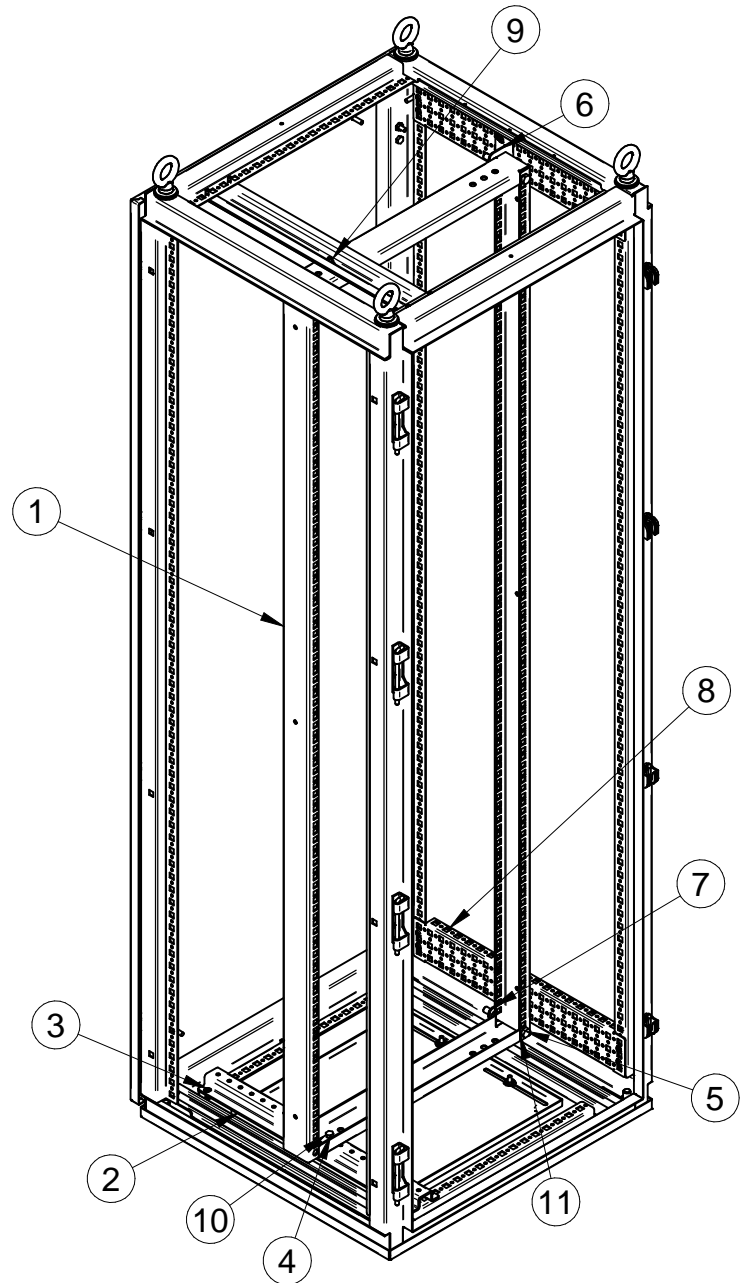
# HMESW - SERIES

BUL86297

REV. C

## ASSEMBLY INSTRUCTIONS FOR HMESWK/HMESWF

ITEM	DESCRIPTION	QTY
1	HME - Swing Frame	1
2	HME - Swing Frame Depth Adjustment Rail	2
3	Screw - #12 X 1/2" Pan head Phillips Self Tapping	22
4	1/4-20 X 1 Hex ZP	2
5	Screw 3/8-16 X 2.75 Hex Head	2
6	HME - Swing Frame Top Bolt Bracket	1
7	HME - Swing Frame Bottom Bolt Bracket	1
8	HME- Front To Back Grid Strap (3 Row)	2
9	Nut 1/4-20 Kep ZP	2
10	Brass Bushing	2
11	3/8 Flat Washer	2

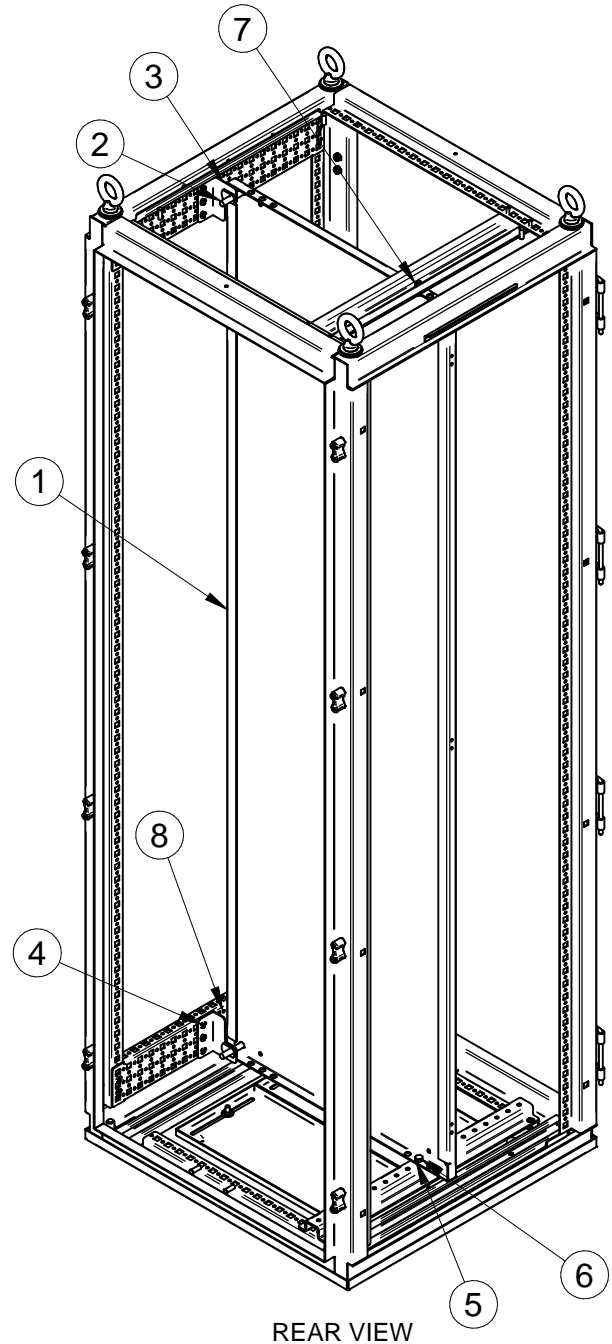


# HMESW - SERIES

BUL86297

REV. C

## ASSEMBLY INSTRUCTIONS FOR HMESWK/HMESWF



ITEM	DESCRIPTION	QTY
1	HME GALV INNER PANEL	1
2	SCREW 3/8-16 X 1.25" HEX	2
3	HME - SWING FRAME TOP BOLT BRACKET	1
4	SCREW - #12 X 1/2" PAN HEAD PHILLIPS SELF TAPPING	22
5	Brass BUSHING	2
6	1/4-20 X 1 HEX ZP	2
7	NUT 1/4-20 KEP ZP	2
8	HME - SWING FRAME BOTTOM BOLT BRACKET	1

