



2620QK and 2622QK Series Non-Relampable Neon Indicator Lights



Description and Features

Mounting: Supplied with push-on speednut SN2089

Terminal: Quick Connector, Tinned Brass

Lens: Polycarbonate

Housing: White Nylon

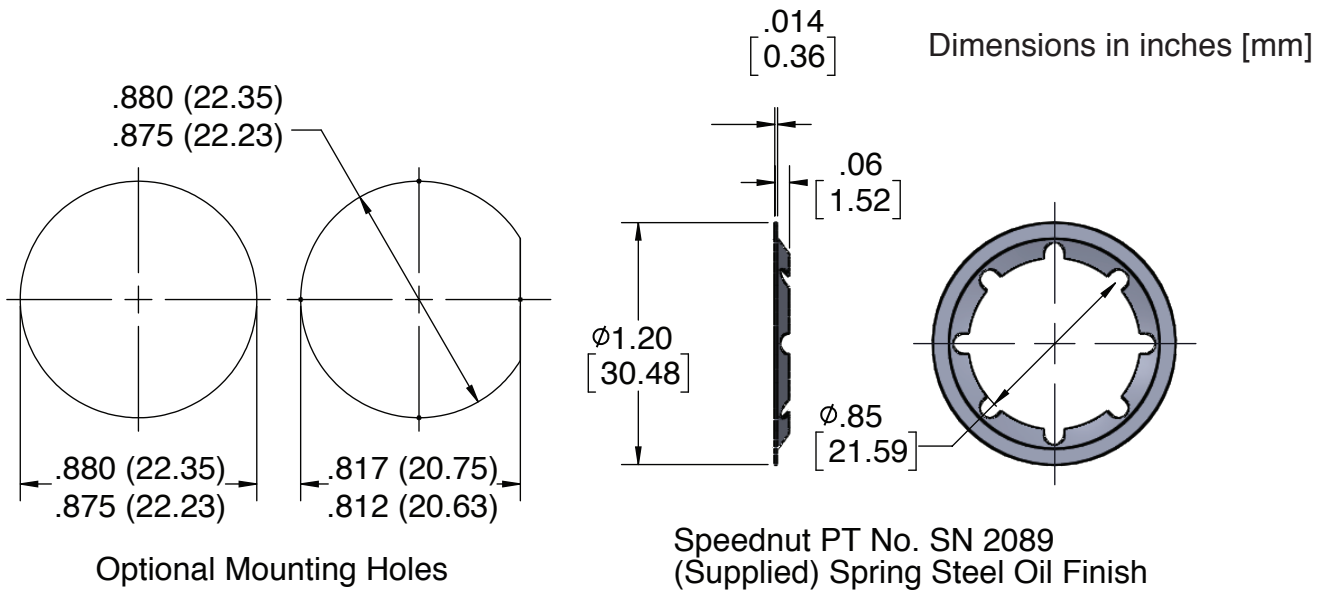
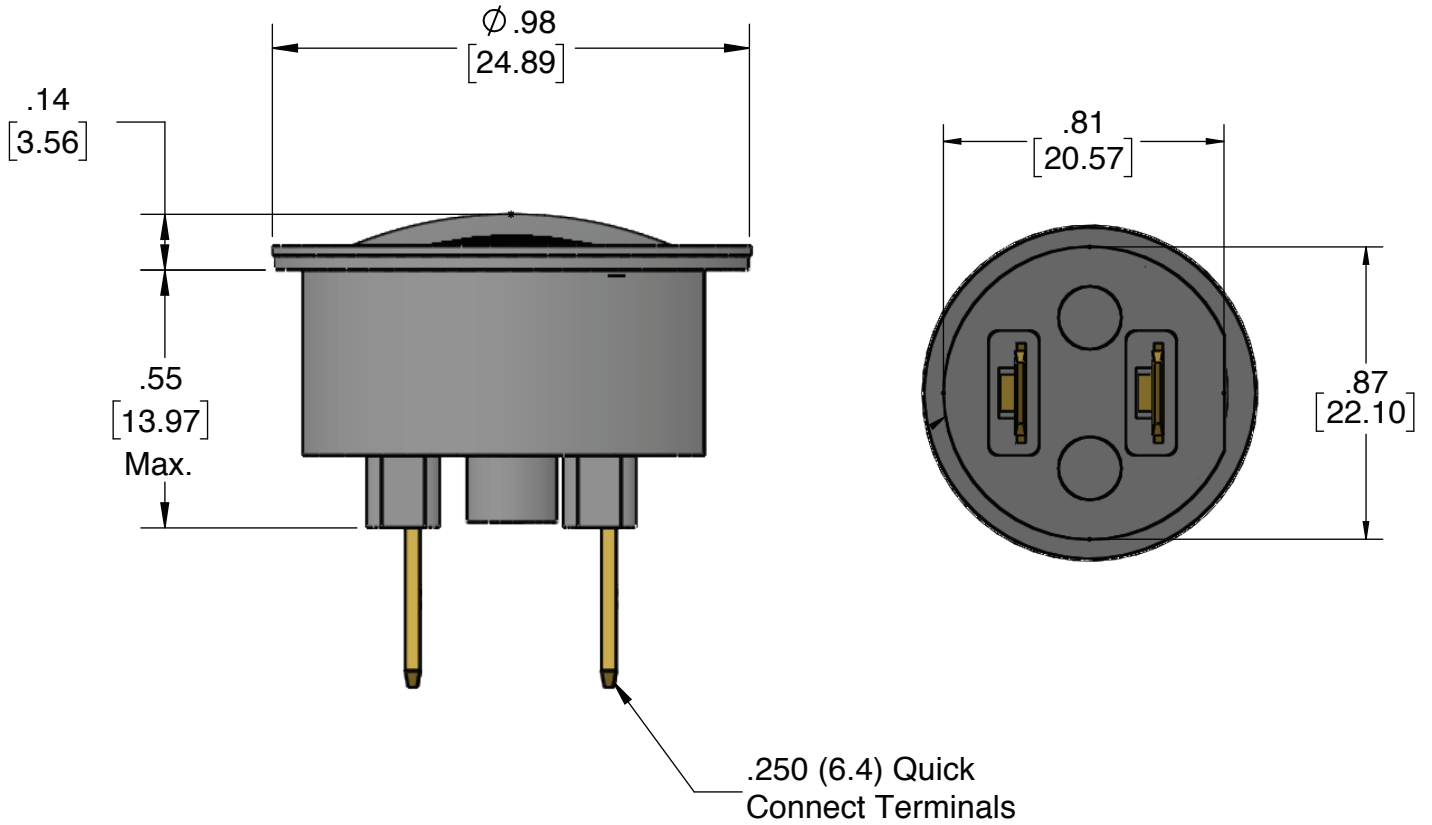
Underwriters Laboratories (UL) File No.E20356

Ordering Data

Lens Color	Neon
	Model No. (105-125VAC)
Red	2620QK1
Amber	2620QK3
White	2620QK4
Green	2622QK5*
Lamp used	C2A+Resistor

*Incorporates G2B lamp and resistor

Product Dimensions



Compliances and Approvals

