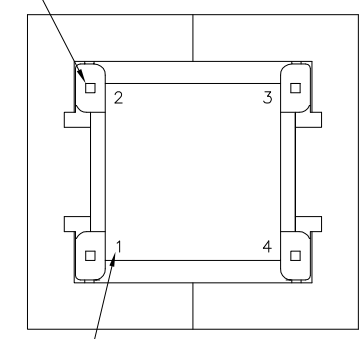


| | | | | |
|---------------|-------------------|------|---------------|----------|
| SOLDER SUFFIX | CUSTOMER TERMINAL | RoHS | LEAD(Pb)-FREE | (8F)(8K) |
| LF3 | Sn100% | Yes | Yes | |

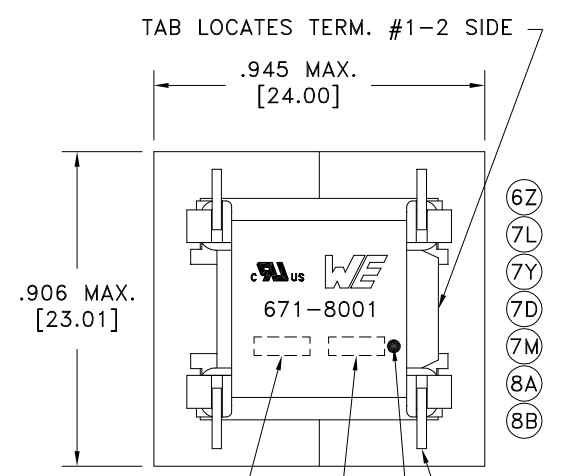
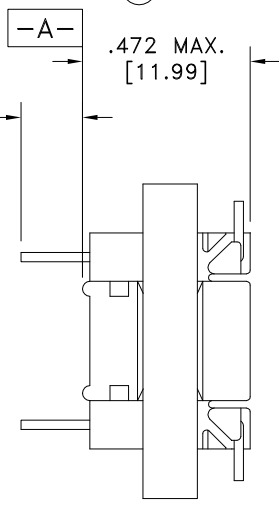
(8L) * DIMENSION MAY BE EXCEEDED WITH SOLDER ONLY

(7X)(6T) PART MUST INSERT FULLY TO SURFACE A IN RECOMMENDED GRID .025 SQ.(4) [.64]

(6T)(7M) .110/.140 * [2.79/3.56]



TERM. NO.'s FOR REF. ONLY

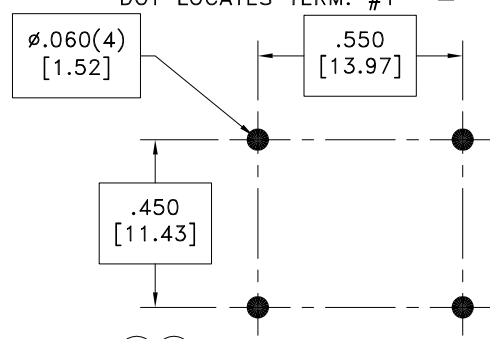


LOT CODE & DATE CODE (8K)

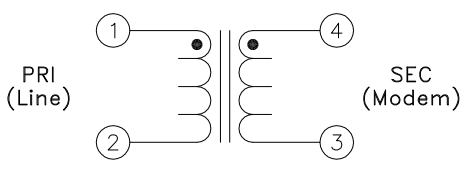
SOLDER SUFFIX (8F)

DOT LOCATES TERM. #1 *

TERM 1



(7X)(6T) RECOMMENDED P.C. PATTERN, COMPONENT SIDE



ELECTRICAL SPECIFICATIONS @ 25°C unless otherwise noted:

- IMPEDANCE: 600 ohms each, PRI & SEC (ref.). Designed to reflect 600 ohms on the PRI with 470 ohm load on SEC.
- (7Z) LONGITUDINAL BALANCE: 66dB min., 60 - 1000Hz; 46dB min., 1-2, 1000 - 4000Hz, per FCC part 68.310, with terminal 3 or 4 grounded.
- (7Z) D.C. RESISTANCE (@20°C): PRI, 108 ohms ±10%. SEC, 120 ohms ±10%.
- FREQUENCY RESPONSE: ±1.0dB, 600 - 3500Hz, ±4dB, 300 - 600Hz.
- INSERTION LOSS: 2.5dB max., 1000Hz, per IEEE method, 0/30mADC, 20°C.
- DIELECTRIC RATING: 1000VAC, 1 minute tested by applying 1250VAC for 1 second between PRI-SEC; PRI-Core. Meets or exceeds requirements of: CAN/CSA-C22.2 No.225 (M90); DOC's CS-03 (Issue 7); UL's UL1459, 2nd ED. (1992); and FCC's Part 68(58 FR 44907, Aug. 25, 1993).
- (6T)(7G)(7K)(7Q)(7R)
- (7Z) TURNS RATIO: (PRI):(SEC) = 1:1, ±2%.
- OPERATING CONDITIONS: All spec. except as noted to be from -20 to +4dBm, 0/100mADC in PRI, 600 ohm source resistance on PRI 470 ohm load on SEC.

(7X)* Marking Detail may be rotated 90° clockwise. Locating Dot will NOT move. Midcom p/n 671-8001-LF3 is eiSos p/n: 7500718001.

- (8J) OPERATING TEMPERATURE RANGE: -40°C to +85°C.
- (8K) Wire insulation & RoHS status not affected by wire color.
- (8K) Wire insulation color may vary depending on availability.

DETAILS SUBJECT TO CHANGE

| | |
|------------------------|---------|
| (7K)(8K) AGENCY NUMBER | |
| (8H) UL | E205930 |

Unless otherwise specified:
Tolerances:
Angles: ±1°
Fractions: ±1/64
Decimals: ±.005[.13]

This drawing is dual dimensioned.
Dimensions in brackets are in millimeters.

DRAWING TITLE
TRANSFORMER
DC COUPLING (8G)
eiSos p/n: 7500718001
SEE REVISION SHEET FOR REVISION LEVEL

Midcom WE
www.we-online.com/midcom

PART NO. (8K)(8F) REV. 8L 4/16
671-8001-LF3

SPECIFICATION SHEET 1 OF 1

PART# 671-8001-LF3