

REFERENCE SPECIFICATIONS

-NFC 93425 (in compliance with HE 508)

PHYSICAL CHARACTERISTICS

- INSULATOR MATERIAL: THERMOSET UL94V0
- CONTACT MATERIAL: BRASS
GOLD OVER NICKEL
- ACCESSORIES: BRASS
Cadmium plated, yellow passivation
- SHELLS: STEEL
Cadmium plated, yellow passivation

ELECTRICAL CHARACTERISTICS

- NOMINAL CURRENT: 7.5A
- CONTACT RESISTANCE: <= 7.3 m ohms
- CONTACT/CONTACT : >=1000 V
- CONTACT/GROUND : >=1200 V
- INSULATION RESISTANCE: >=5000 MOhms

ENVIRONMENTAL CHARACTERISTICS

- CLIMATIC CATEGORY: 55/155/56
TEMPERATURE RANGE -55°C TO +155°C
DAMP HEAT STEADY STATE 56 DAYS
SALT SPRAY 48 HOURS

MECHANICAL CHARACTERISTICS

- RETENTION AGAINST TORQUE: - Threaded insert: 0.7 N.m minimum
- Female screw : 0.5 N.m minimum

DBML25S400N

Series

Shell size: **E A B C D**
see sheet 2

Front accessory definition
see sheet 2

- Blank** : without accessory
- F** : floating mounting
- L** : threaded insert M3
- O** : threaded insert UNC 4-40
- V** : female screw UNC 4-40

Contact number (see sheet 2)
9,15,25,37,50

Contacts

- S** : Socket

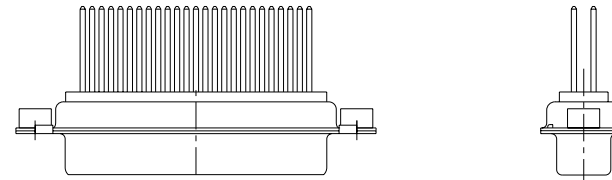
Termination type

- 4** 3 level wire wrap contact

Plating

- 00** : 500 matings/unmatings
- 43** : 500 matings/unmatings for harsh environment

Obligatory for HE508



25 WAY for Exemple

www.fciconnect.com		surface	tolerance std	projection	mm
		ISO 1302	ISO 406 ISO 1101	⊕	←→
		TOLERANCES UNLESS OTHERWISE SPECIFIED			
Dr	M PESSON	2006/11/14	ANGULAR	LINEAR	size A2 Scale 2:1
Eng	P LEGARE	2006/11/14	0.X	±0.3	
Chr	P LEGARE	2006/11/14	0.xx	±0.1	
Appr	P LEGARE	2006/11/14	0.xxx	±0.05	ECN LS07-0311
		Product family	- Spec ref		
		SUB FEMALE DM HE508 series			ang no C01-8637-1747
		with 3 level wire wrap contact			Rev. C
		catalog no	CUSTOMER sheet 1 of 4		

Copyright FCi.

1 2 3 4 5 6 7 8

A

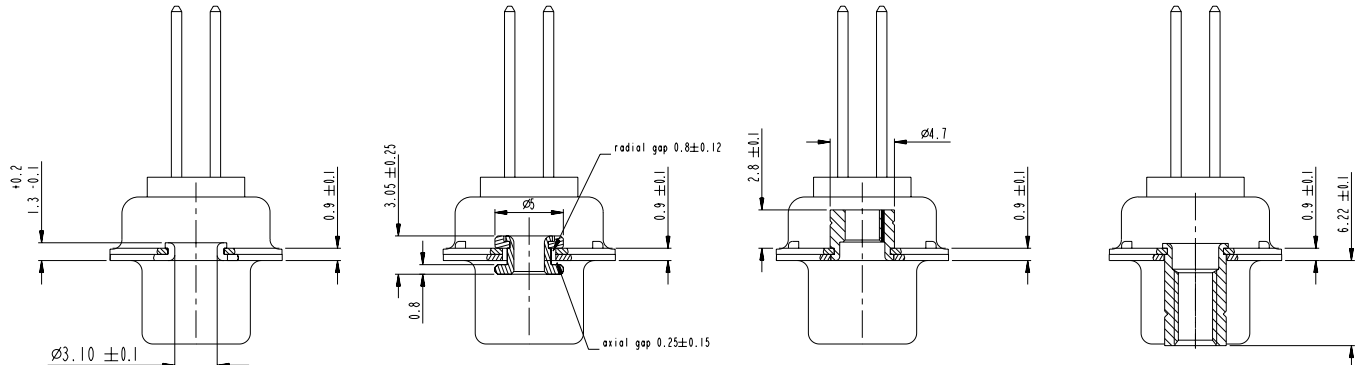
B

C

D

E

F



FRONT ACCESSORY **Blank** without **F** floating mounting **L** insert M3 **O** insert UNC 4.40 **V** female screw UNC 4.40

PART NUMBER	FRONT ACCESSORY
D*MxxS400N	without
D*MFxxS400N	floating mounting
D*MLxxS400N	insert M3
D*MOxxS400N	insert UNC 4.40
D*MVxxS400N	female screw UNC 4.40

shell size	Contact number
*	XX
E	09
A	15
B	25
C	37
D	50

PART NUMBER	FRONT ACCESSORY
D*MxxS443N	without
D*MFxxS443N	floating mounting
D*MLxxS443N	insert M3
D*MOxxS443N	insert UNC 4.40
D*MVxxS443N	female screw UNC 4.40

CROSS REFERENCES HE508 and FCI

HE508 P/N	FCI P/N	FRONT ACCESSORY
HE508NxxKS3	D*MxxS400N	without
HE508FxxKS3	D*MFxxS400N	floating mounting

Copyright FCI

www.fciconnect.com		surface -	tolerance std	projection	mm
		ISO 1302	ISO 406 ISO 1101		
TOLERANCES UNLESS OTHERWISE SPECIFIED					
Dr	M PESSON	2006/11/14	ANGULAR	0.X ±0.3	size A2 Scale 2:1
Eng	P LEGARE	2006/11/14	LINEAR	0.XX ±0.1	
Chr	P LEGARE	2006/11/14	0° ±2°	0.XXX ±0.05	ECN LS07-0311
Appr	P LEGARE	2006/11/14	Product family	-	Spec ref
FCI		SUB FEMALE DM HE508 series		ang no	Rev.
		with 3 level wire wrap contact		C01-8637-1747	C
catalog no		CUSTOMER		sheet 2 of 4	

SCALE: 4

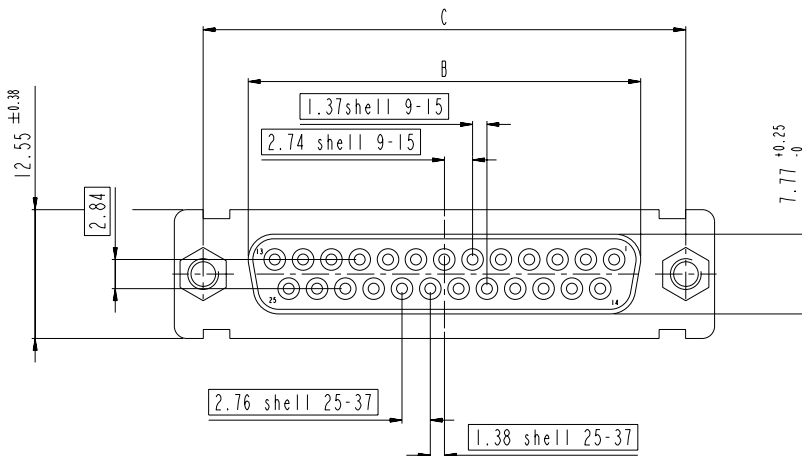
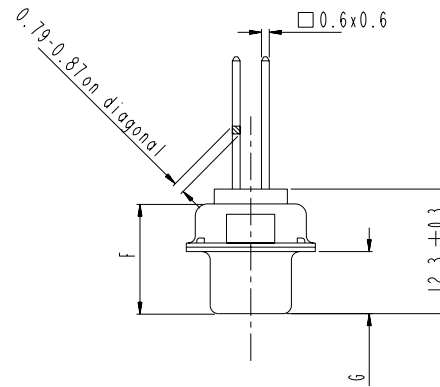
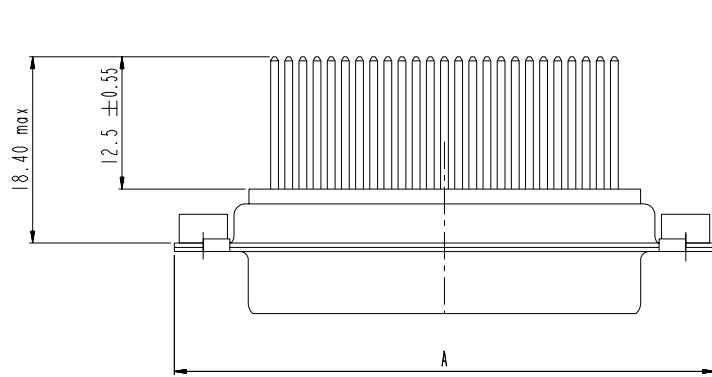
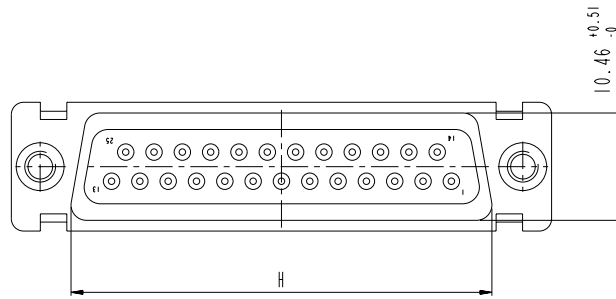
REV 7 - 2006-04-17

1 2 3 4 5 6 7 8

DIMENSIONS FOR SHELL E, A, B, C

Dimensions are in millimeters

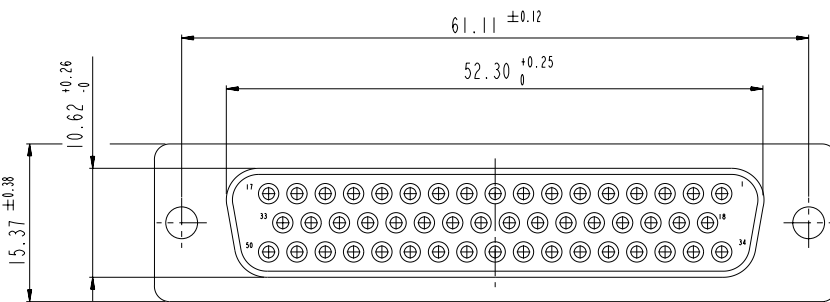
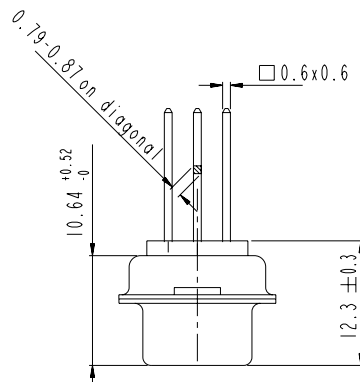
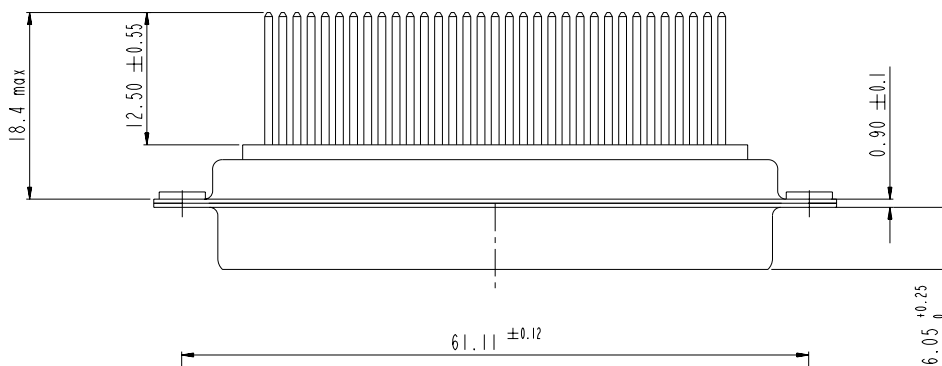
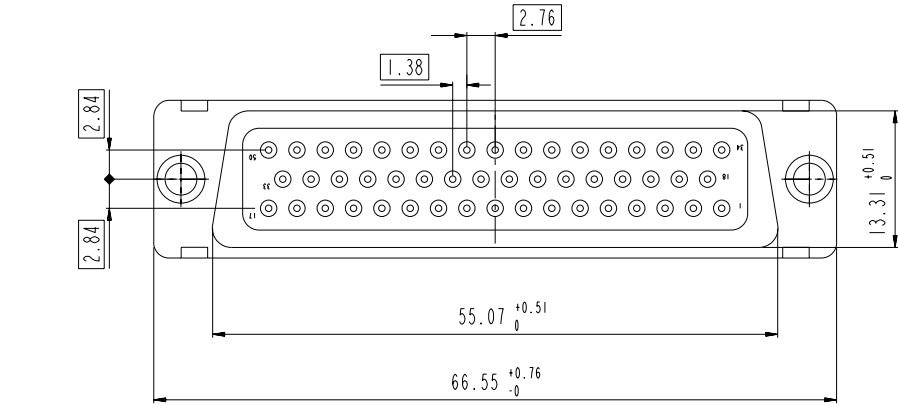
Shell size	Number of contacts	A ^{+0.76} ₋₀	B ^{+0.25} ₋₀	C ±0.12	F ^{+0.57} ₋₀	G ^{+0.25} ₋₀	H ^{+0.51} ₋₀
E	09	30.43	16.21	24.99	10.64	6.05	19.02
A	15	38.76	24.54	33.32	10.64	6.05	27.25
B	25	52.65	38.25	47.04	10.64	6.05	41.02
C	37	68.94	54.71	63.50	10.64	6.05	57.45



Copyright fci. fci

www.fciconnect.com		surface - ISO 1302 ✓	tolerance std ISO 406 ISO 1101	projection mm
		TOLERANCES UNLESS OTHERWISE SPECIFIED		
Dr M PESSON	2006/11/14	ANGULAR	0.X ±0.3	size A2 Scale 2:1
Eng P LEGARE	2006/11/14	LINEAR	0.XX ±0.1	ECN LS07-0311
Chr P LEGARE	2006/11/14	0° ±2'	0.XXX ±0.05	
Appr P LEGARE	2006/11/14	Product family		Spec ref
SUB FEMALE DM HE508 series		ang no	C01-8637-1747	
with 3 level wire wrap contact		cat no	CUSTOMER sheet 3 of 4	

DIMENSIONS FOR SHELL D (50 CONTACTS)



Copyright fci. FCI

www.fciconnect.com		surface - ISO 1302 ✓	tolerance std ISO 406 ISO 1101	projection mm
		TOLERANCES UNLESS OTHERWISE SPECIFIED		
Dr M PESSON	2006/11/14	ANGULAR	0.X ±0.3	size A2 Scale 2:1
Eng P LEGARE	2006/11/14	LINEAR	0.XX ±0.1	ECN LS07-0311
Chr P LEGARE	2006/11/14	° ±2'	0.XXX ±0.05	
Appr P LEGARE	2006/11/14	Product family	Spec ref	
SUB FEMALE DM HE508 series		ang no	C01-8637-1747	
with 3 level wire wrap contact		Rev.	C	
catalog no		CUSTOMER sheet 4 of 4		