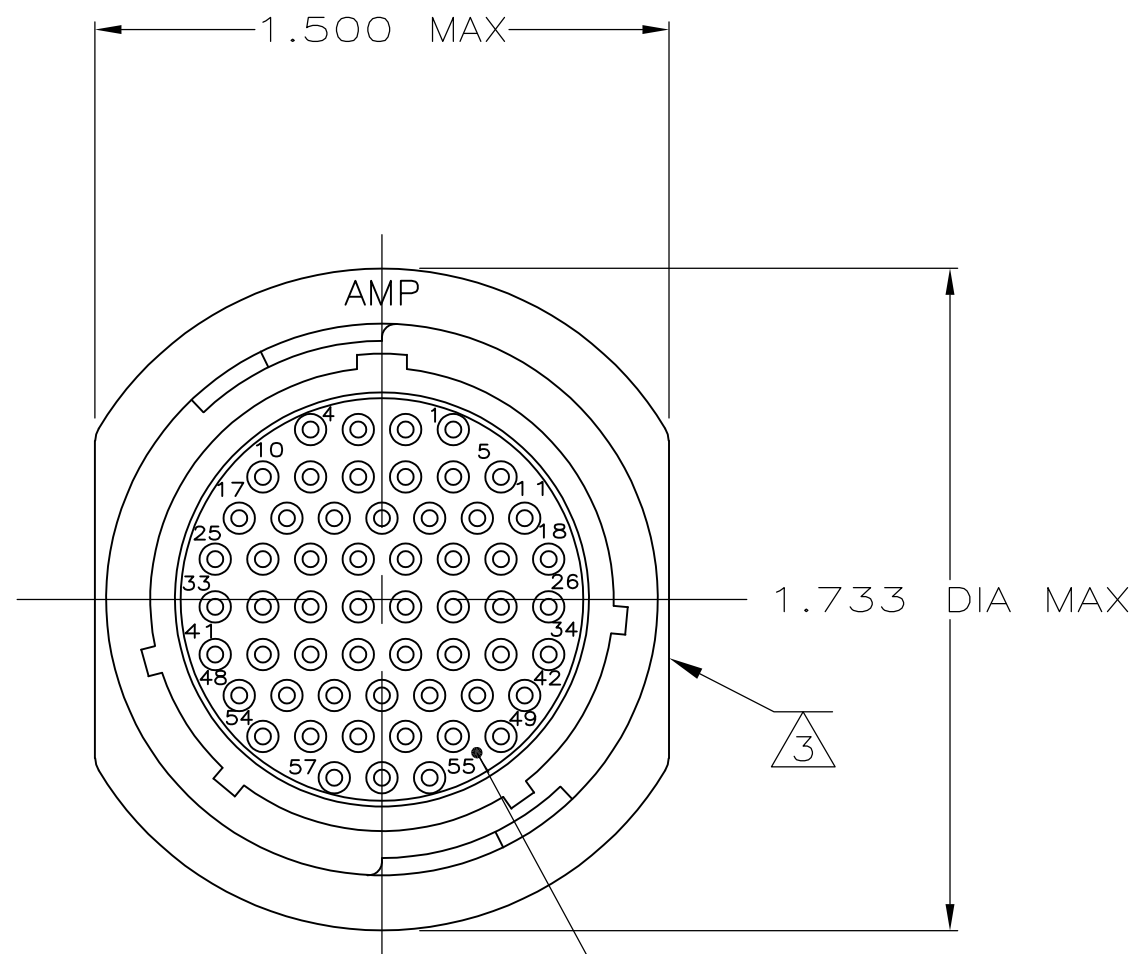
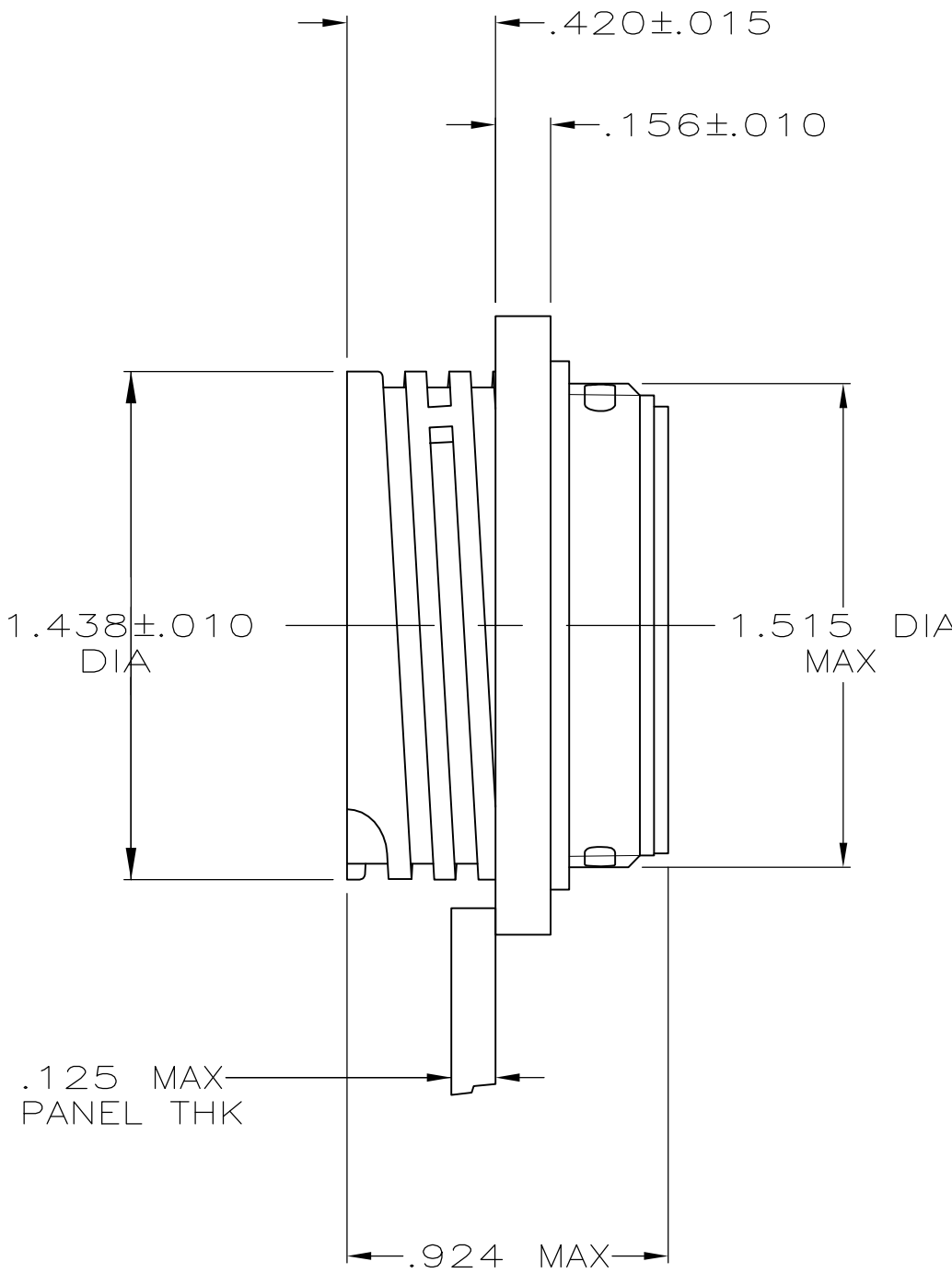
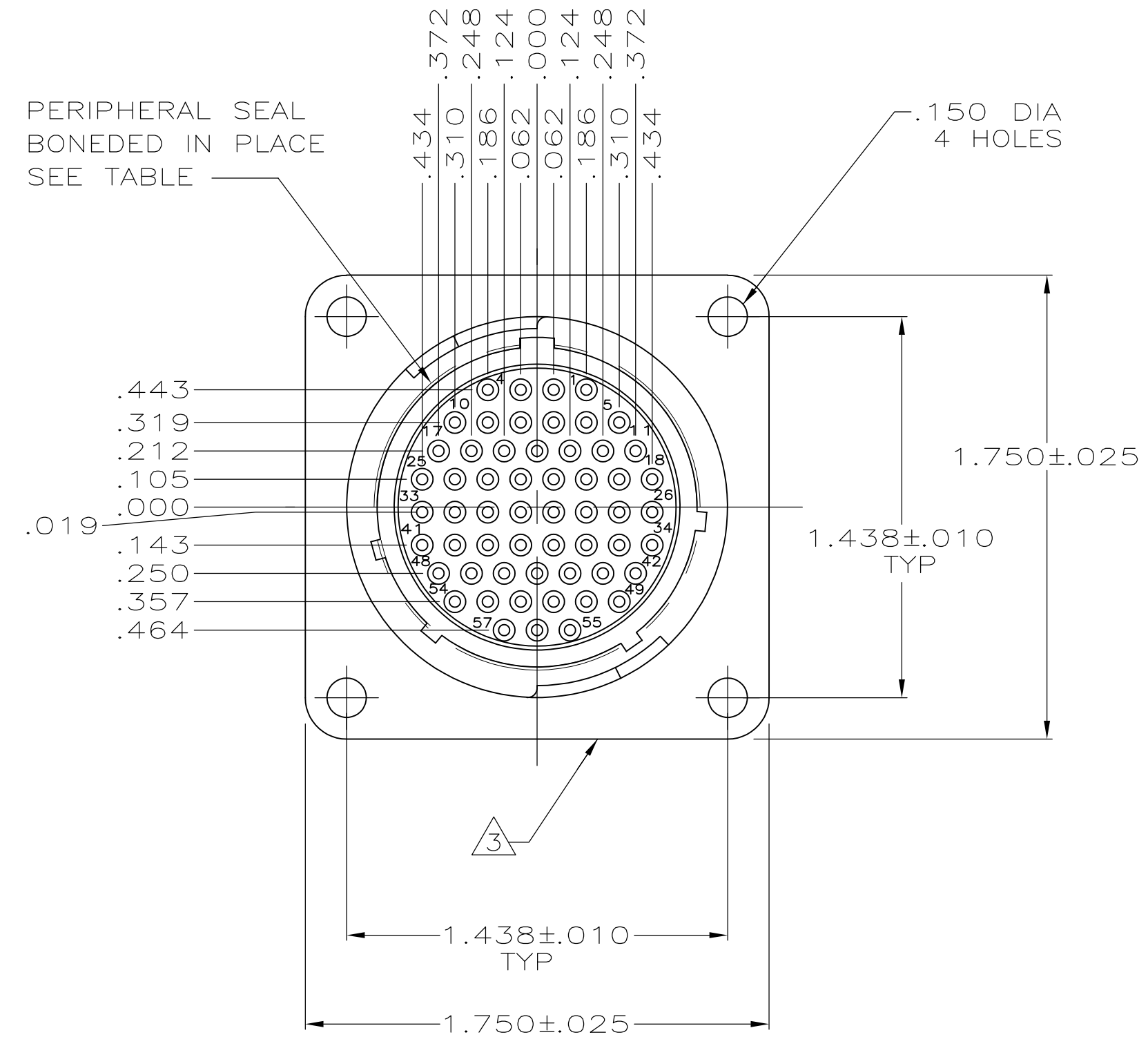
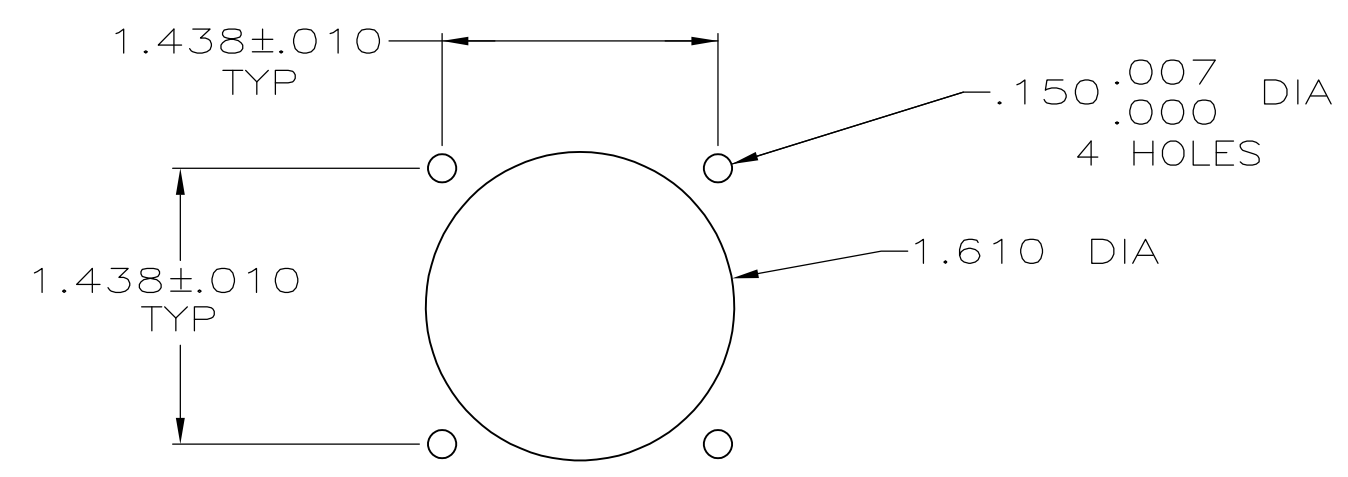


THIS DRAWING IS UNPUBLISHED. RELEASED FOR PUBLICATION
 © COPYRIGHT - By - ALL RIGHTS RESERVED.

LOC		DIST		REVISIONS			
P	LTR	DESCRIPTION		DATE	DWN	APVD	
FT	0	K2	REVISED PER ECO-11-004820		11MAR11	RK	HMR



FREE HANGING
(-2 ONLY)



PANEL CUTOUT
SCALE 1:1

- NOTES:
- CONTACT CAVITIES IDENTIFIED BY CHARACTERS ON FRONT AND REAR FACES OF CONNECTOR.
 - WILL ACCEPT (57) SIZE 20 SOCKET CONTACTS.
 - PART NUMBER THIS AREA.
 - OBSOLETE PARTS: OBSOLETE CIS STREAMLINING PER D.RENAUD/D.SINISI

OBSOLETE	YES	206438-3
	NO	206438-2
	NO	206438-1
PERIPHERAL SEAL	PART NUMBER	

THIS DRAWING IS A CONTROLLED DOCUMENT.		DWN	A.STAUB BG	4/3/91	TE Connectivity	
DIMENSIONS: INCHES		CHK	W.G.LENKER	7-27-92		
TOLERANCES UNLESS OTHERWISE SPECIFIED:		APVD	-		NAME	
0 PLC ± -		PRODUCT SPEC		108-10024		
1 PLC ± -		APPLICATION SPEC		-		
2 PLC ± -		WEIGHT		-		
3 PLC ± .005		SIZE		A2		CAGE CODE
4 PLC ± -		DRAWING NO		00779		DRAWING NO
ANGLES ± -		RESTRICTED TO		-		
FINISH		SCALE		2:1		SHEET
THERMOPLASTIC, -		CUSTOMER DRAWING		1 of 1		REV
				K2		

206438