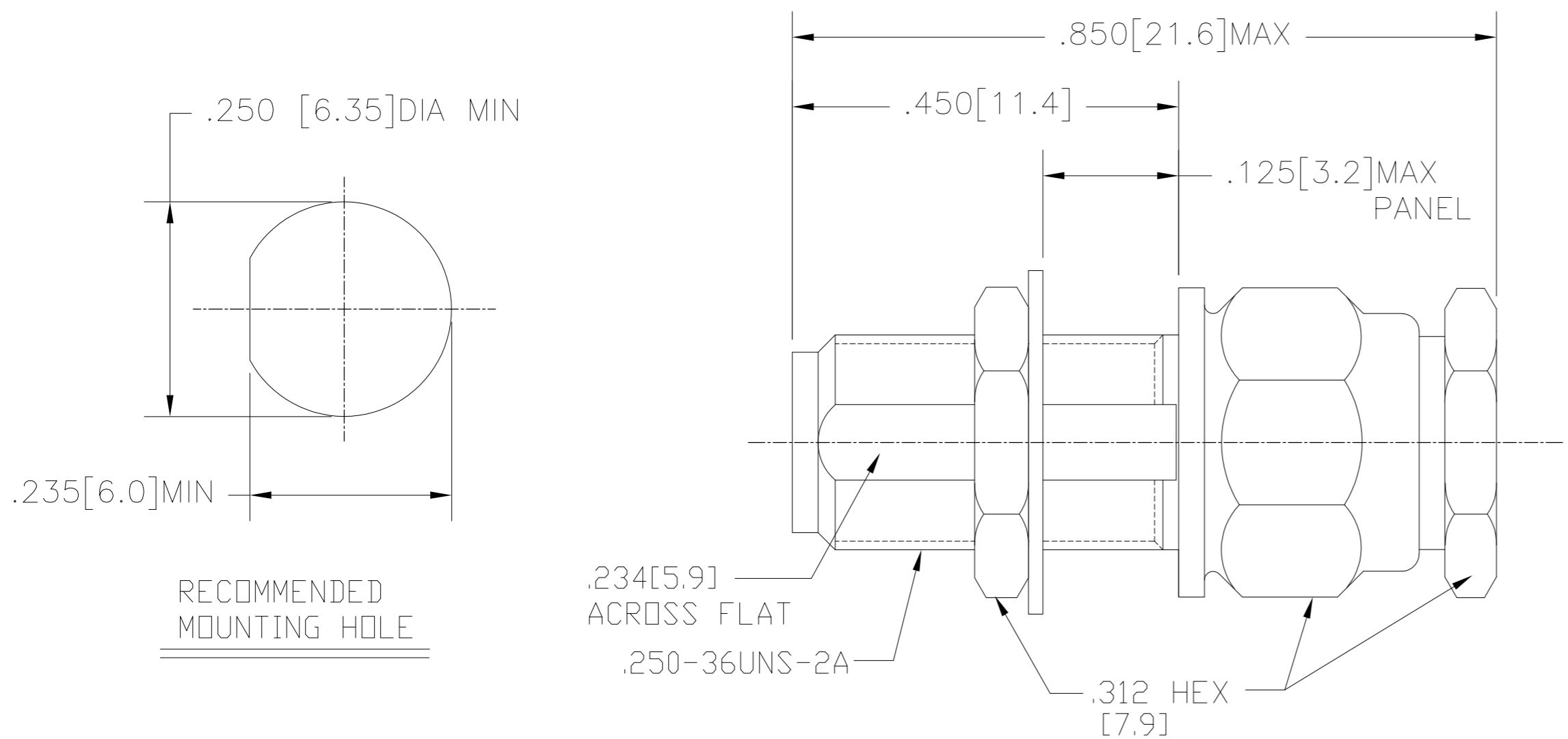


THIS DRAWING IS UNPUBLISHED. RELEASED FOR PUBLICATION
 © COPYRIGHT BY TYCO ELECTRONICS CORPORATION. ALL RIGHTS RESERVED.

LOC		DIST		REVISIONS					
AJ		00		P	LTR	DESCRIPTION	DATE	DWN	APVD
				B		REV PER ECO-09-013650	-	ANS	BOB



NOTES:
 1. CAPTURED CENTER CONTACT
 2. DESIGNED FOR USE WITH RG-195/U OR OTHER CABLES HAVING SIMILAR COMPONENT DIAMETERS

- ① BRASS
- ② STAINLESS STEEL
- ③ BERYLLIUM COPPER
- ④ PHOSPHOR BRONZE
- ⑤ PTFE
- ⑥ SILICONE RUBBER
- ⑦ GOLD PLATE
- ⑧ NICKEL PLATE
- ⑨ PASSIVATE
- ⑩ WHITE BRONZE PLATE

ELECTRICAL	MECHANICAL	ENVIRONMENTAL
Nominal Impedance (Ohms) <u>50</u>	Interface Dimensions MIL-STD-348A, Fig. 310.1	TEMPERATURE RATING -40° TO +95° DURABILITY:500 CYCLES
Frequency Range (GHz) DC to 6	Recommended Mating Torque <u>7-10 In-Lbs</u>	
Volt Rating (VRMS MAX) @ Sea Level <u>250</u>	Mating Characteristics: Insertion (MAX Lbs) N/A Withdrawal (MIN Oz) N/A	.XXX = in XX.X = mm
VSWR <u>1.18 + .02f(GHz)</u>	Force to Engage and Disengage (In-Lbs MAX) <u>2</u>	
Insertion Loss (dB MAX) <u>.07 √f GHz</u>	Center Contact Captivation Axial (Lbs) <u>6 Min</u> Radial (In-Oz) N/A	
Dielectric Withstanding Voltage (VRMS MIN) @ Sea Level <u>750</u>	Cable Retention Axial Force (Lbs) <u>20 MIN</u> Torque (In-Oz) N/A	
Contact Resistance (Milliohms MAX) Center Contact <u>5.0</u> Outer Contact <u>3.0</u> Cable to Housing <u>0.5</u>	Weight (Grams) <u>TBD</u>	
RF High Potential @ Sea Level (VRMS MIN @ 5 MHz) <u>500</u>		
I.R.(Megohms MIN) <u>5,000</u>		

① ⑧	① ⑧	③ ⑦	⑤	① ⑧	④ ⑧	① ⑩	1050999-3
② ⑦	① ⑦	③ ⑦	⑤	② ⑦	② ⑦	② ⑦	1050999-1
CLAMP NUT	COLLAR	CENTER CONTACT	DIELECTRIC	HOUSING	LOCK WASHER	MOUNTING NUT	TE PN.

THIS DRAWING IS A CONTROLLED DOCUMENT.

DWN ANSON MA 2Jul09	Tyco Electronics Corporation Kunshan, Jiangsu, RPC 215312
CHK RITA ZUO 2Jul09	
APVD BOB_ZHAO 2Jul09	
PRODUCT SPEC	
APPLICATION SPEC	NAME OSM STRAIGHT CABLE(RG-195/U) JACK CLAMP ATTACHMENT
408-4938	SIZE A2 CAGE CODE 00779 DRAWING NO C=1050999 RESTRICTED TO -
CUSTOMER DRAWING	SCALE 5:1 SHEET 1 of 1 REV B