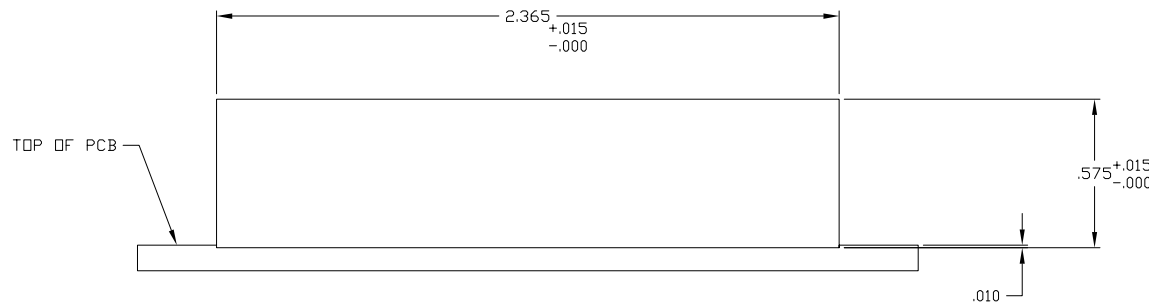
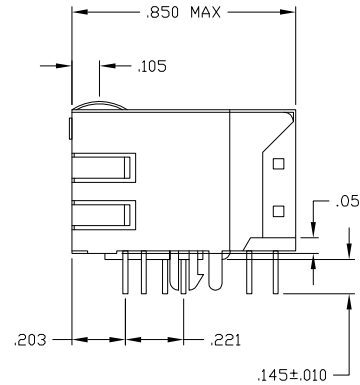
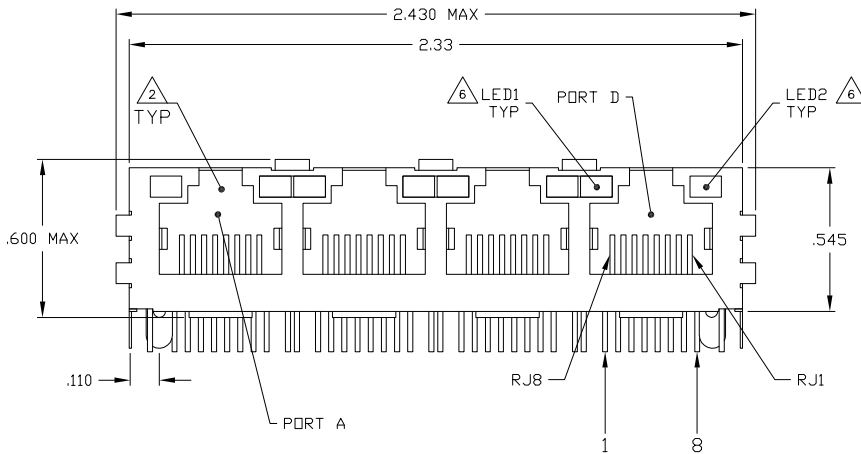
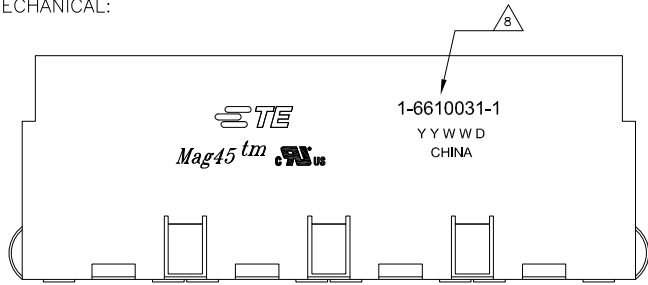


LOC	DATE	REVISIONS		
AA	22			
#	DESCRIPTION	DATE	BY	APP'D
B1	REVISED PER ECO-09-024927	17DEC09	KK	AEG
C	ECO-11-015769	30MAY2011	EL	LR

MECHANICAL:



1X4 SUGGESTED PANEL CUTOUT

- 1 MATERIALS:
 -HOUSING - THERMOPLASTIC PET POLYESTER FLAMMABILITY RATING UL 94V-0.
 -SHIELD - .010" THICK, C26800 BRASS PREPLATED WITH 30μINCH MIN SEMI-BRIGHT NICKEL.
 SOLDER TABS POST DIPPED WITH 100μINCH MIN SAC SOLDER.
 -MOD JACK CONTACTS - 0.0157 X 0.018" PHOSPHOR BRONZE, 50μINCH MIN OVERALL NICKEL UNDERPLATE WITH SELECT 50μINCH MIN HARD GOLD FINISH PLATE. SOLDER TAILS WITH 100μINCH MIN MATTE TIN AND/OR SAC SOLDER DIP.
 -LIGHT EMITTING DIODE(LED) - DIFFUSED EPOXY LENS, .020" X .020" CARBON STEEL WIREFRAME LEADS PRE-PLATED WITH 80μINCH SILVER OVER 40μINCH NICKEL UNDERPLATE OVER 40μINCH COPPER UNDERPLATE. POST-PLATED WITH 100μINCH MATTE TIN AND/OR SAC SOLDER DIP OR PURE TIN SOLDER DIP.

- 2 RJ45 JACK CAVITY CONFORMS TO FCC RULES AND REGULATIONS PART 68, SUB PART F.

- 3 MAGNETICS
 -IMPEDANCE: 100 OHMS
 -TURNS RATIO (CHIP CABLE): TX = 11, RX = 11
 -OPEN CIRCUIT INDUCTANCE (OCL): 350μH MIN @100kHz, 0.1VRMS, 8mADC BIAS FROM 0iΩ TO 70iΩ, TX AND RX
 -PERFORMANCE @ 25iΩ:
 INSERTION LOSS (IL): 1.1dB MAX FROM 0.5MHz TO 100MHz
 RETURN LOSS (RL): 18dB MIN FROM 0.5MHz TO 30MHz
 18-20LOG(f/30dB) MIN FROM 30.1MHz TO 60MHz
 12dB MIN FROM 60.1MHz TO 80MHz
 CROSSTALK ATTENUATION: 35dB MIN FROM 0.5MHz TO 40MHz
 33-20*LOG(f/50dB) MIN FROM 40.1MHz TO 100MHz
 COMMON MODE REJECTION RATIO (CMRR): 30dB MIN FROM 0.5MHz TO 100MHz
 -ISOLATION VOLTAGE: 2250VDC (MAX) FOR 60 SECONDS WITH A RISE TIME OF 500V/SEC AND WITH ALL PORTS CONNECTED.

- 4 C1 IS AN OPTIONAL CAPACITOR. IF NO CAPACITOR, TRACE IS CONTINUOUS. SEE TABLE FOR PRESENCE OF CAPACITOR IN DIFFERENT CONFIGURATIONS.

5. OPERATING TEMPERATURE: FROM 0iΩ TO +70iΩC

- 6 THE 250 OHM LED RESISTORS ARE OPTIONAL. PLEASE SEE CHART FOR PRESENCE OR ABSENCE OF LED RESISTORS. IF THE LED WITHOUT 250 OHM RESISTORS, LED IS DRIVEN WITH CONSTANT CURRENT AT APPROX 20mA.
 LED COLOR : DOMINANT WAVELENGTH (λD): GREEN 568 nm TYP. @ IF=20mA
 FORWARD VOLTAGE (VF): GREEN 2.2V TYP. @ IF=20mA
 DOMINANT WAVELENGTH (λD): YELLOW 588 nm TYP. @ IF=20mA
 FORWARD VOLTAGE (VF): YELLOW 2.1V TYP. @ IF=20mA
 DOMINANT WAVELENGTH (λD): ORANGE 605 nm TYP. @ IF=20mA
 FORWARD VOLTAGE (VF): ORANGE 2.05V TYP. @ IF=20mA.
 IF THE LED WITH 250 OHM RESISTORS, LED IS DRIVEN WITH 5V VOLTAGE AND THE MAX OPERATING CURRENT IS 20mA.
 LED COLOR : DOMINANT WAVELENGTH (λD): GREEN 568 nm TYP. @ VF=5V
 FORWARD CURRENT (IF): GREEN 12 mA TYP. @ VF=5V
 DOMINANT WAVELENGTH (λD): YELLOW 588 nm TYP. @ VF=5V
 FORWARD CURRENT (IF): YELLOW 13 mA TYP. @ VF=5V

- 7 INDICATED CONNECTIONS ARE FOR HUB CONFIGURATION. THE MAGNETICS ARE ASYMMETRICAL AND DO NOT SUPPORT AUTO-MD/MDIX.

- 8 TE CONNECTIVITY LOGO, PART NUMBER, DATE CODE, COUNTRY OF ORIGIN AND AGENCY APPROVAL MARKING IN APPROXIMATE LOCATION SHOWN.

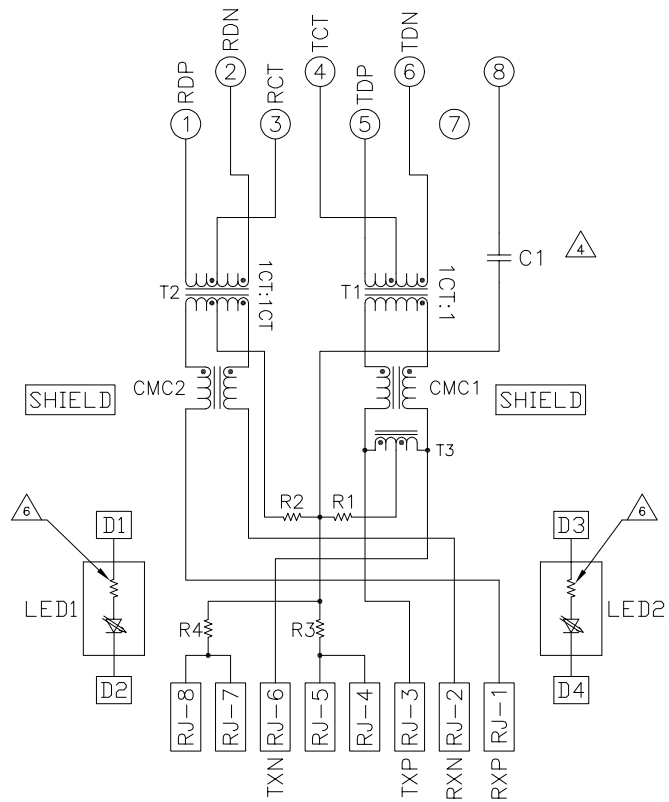
9. THESE PARTS ARE RECOMMENDED FOR WAVE SOLDERING PROCESS, PEAK WAVE SOLDERING TEMPERATURE IS 265iΩC, 10SECONDS MAX.

10. OBSOLETE PARTS: OBSOLETE CIS STREAMLINING PER D.RENAUD/D.SINISI

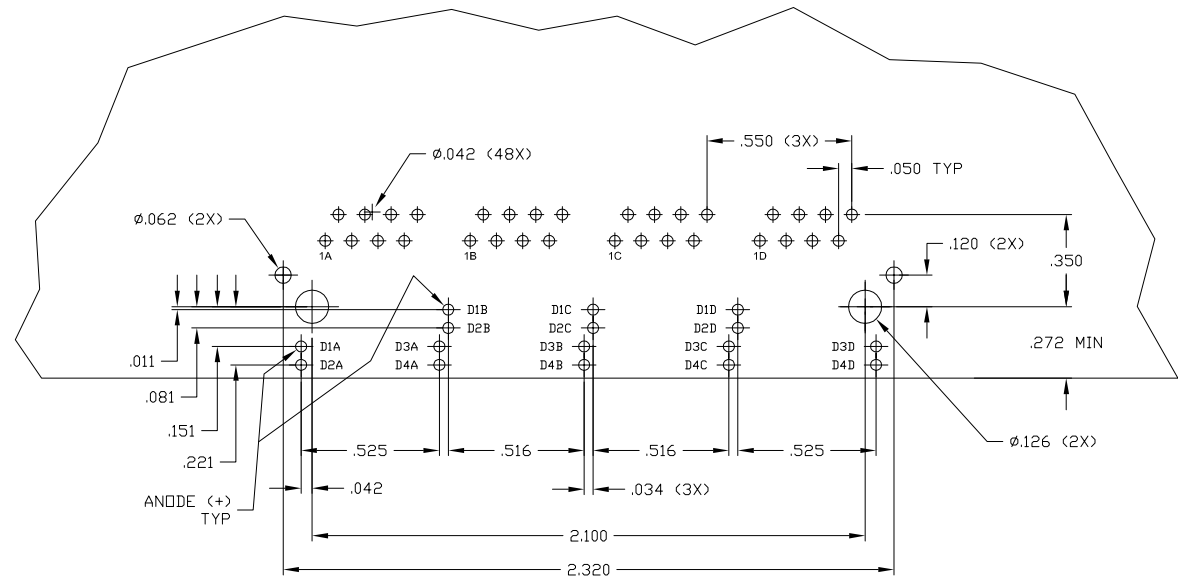
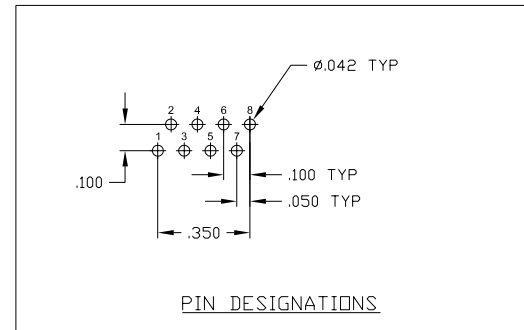
OBsolete	YES	YES	GREEN	GREEN	6-6610031-1
	NO	YES	GREEN	GREEN	5-6610031-7
	YES	YES	YELLOW	GREEN	5-6610031-2
	YES	YES	GREEN	YELLOW	5-6610031-1
OBsolete	YES	NO	GREEN	GREEN	4-6610031-1
	LED RESISTOR	DECOUPLING CAPACITOR	LED1	LED2	PART NUMBER

DIMENSIONS:		DRAWING NO.		REV	
1	0.100	100779	1	1	1
2	0.210	108-2100	1	2	2
3	0.208				
4	0.208				
5	0.208				
6	0.208				
7	0.208				
8	0.208				
9	0.208				
10	0.208				
11	0.208				
12	0.208				
13	0.208				
14	0.208				
15	0.208				
16	0.208				
17	0.208				
18	0.208				
19	0.208				
20	0.208				
21	0.208				
22	0.208				
23	0.208				
24	0.208				
25	0.208				
26	0.208				
27	0.208				
28	0.208				
29	0.208				
30	0.208				
31	0.208				
32	0.208				
33	0.208				
34	0.208				
35	0.208				
36	0.208				
37	0.208				
38	0.208				
39	0.208				
40	0.208				
41	0.208				
42	0.208				
43	0.208				
44	0.208				
45	0.208				
46	0.208				
47	0.208				
48	0.208				
49	0.208				
50	0.208				
51	0.208				
52	0.208				
53	0.208				
54	0.208				
55	0.208				
56	0.208				
57	0.208				
58	0.208				
59	0.208				
60	0.208				
61	0.208				
62	0.208				
63	0.208				
64	0.208				
65	0.208				
66	0.208				
67	0.208				
68	0.208				
69	0.208				
70	0.208				
71	0.208				
72	0.208				
73	0.208				
74	0.208				
75	0.208				
76	0.208				
77	0.208				
78	0.208				
79	0.208				
80	0.208				
81	0.208				
82	0.208				
83	0.208				
84	0.208				
85	0.208				
86	0.208				
87	0.208				
88	0.208				
89	0.208				
90	0.208				
91	0.208				
92	0.208				
93	0.208				
94	0.208				
95	0.208				
96	0.208				
97	0.208				
98	0.208				
99	0.208				
100	0.208				


754 SERIES MAGNETIC CIRCUIT 



C1 = 1000pF, 2kV DECOUPLING CAPACITOR
R1-R4 = 75 OHMS, 1/16W, 5% RESISTORS



SUGGESTED PCB LAYOUT
(Component Side)

THIS DRAWING IS A CONTROLLED DOCUMENT.		REV	1	VARELA	10MAR2003	 TE Connectivity
DRAWN BY		CHK	2	FAROLE	10MAR2003	
DIMENSIONS:		APP'D	3	FAROLE	10MAR2003	1X4 MAG45(TW) MODULAR JACK, 7HS SCHEMATIC, 54 SERIES CIRCUIT, OPTIONAL DECOUPLING CAPACITOR, SHIELDED, WITH LEADS
INCHES		REVISED BY	4	FAROLE	10MAR2003	
0.125		0.125	± .010	PRODUCT SPEC		
0.250		0.250	± .005	APPLICATION SPEC		
MATERIAL		FINISH	WEIGHT	SIZE	DWG CODE	RESTRICTED TO
				A1	00779C-6610031	
				CUSTOMER DRAWING		SCALE
				4:1		SHEET
				2		REV
				C		