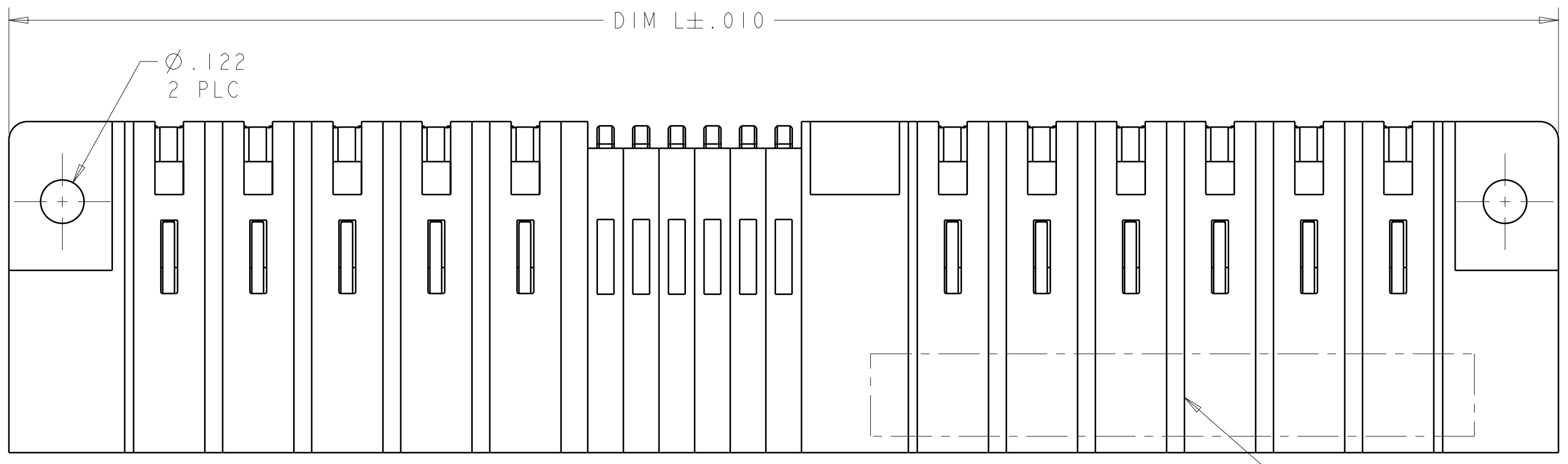
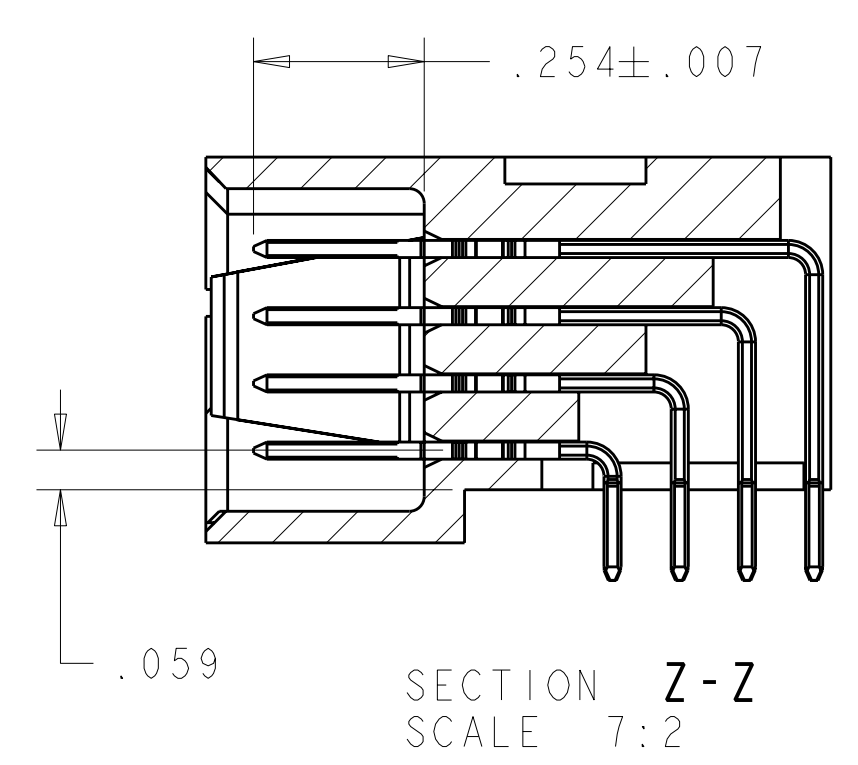
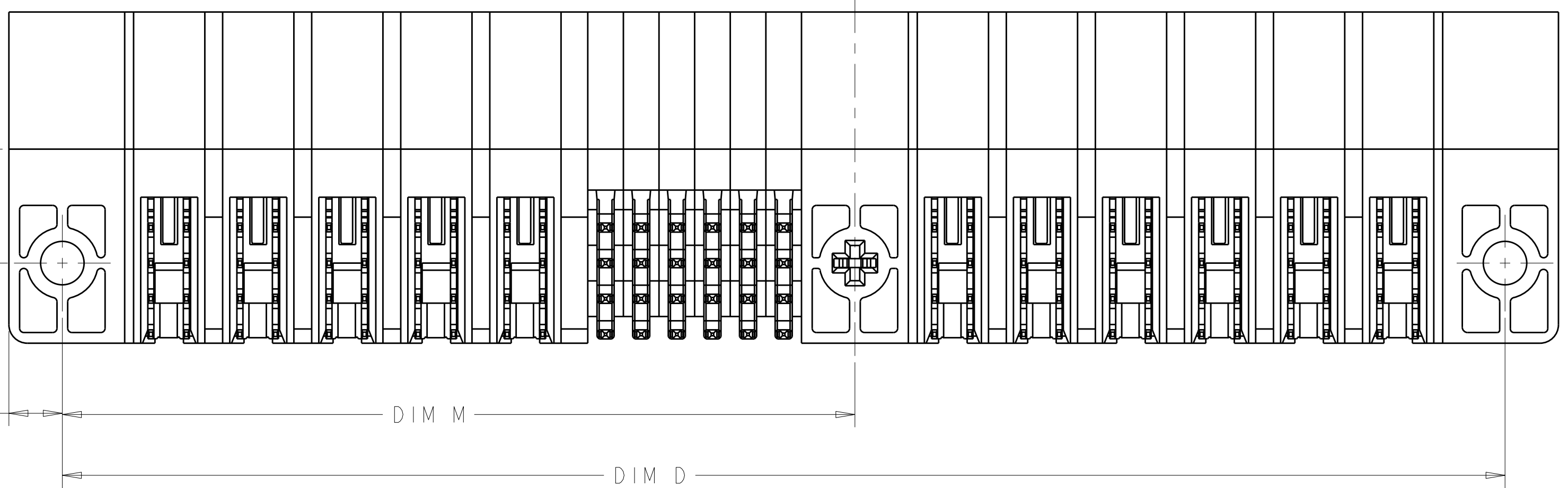
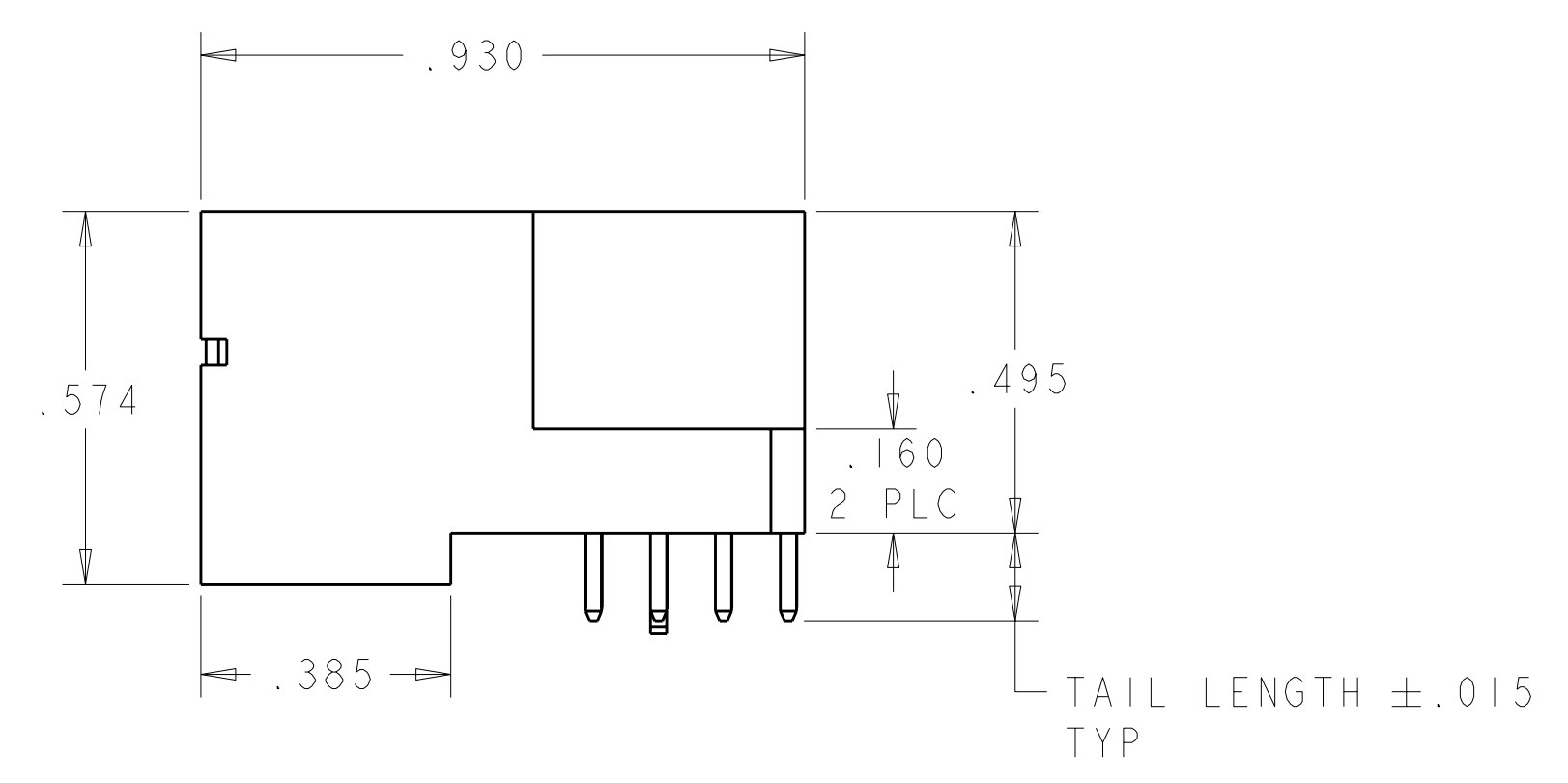
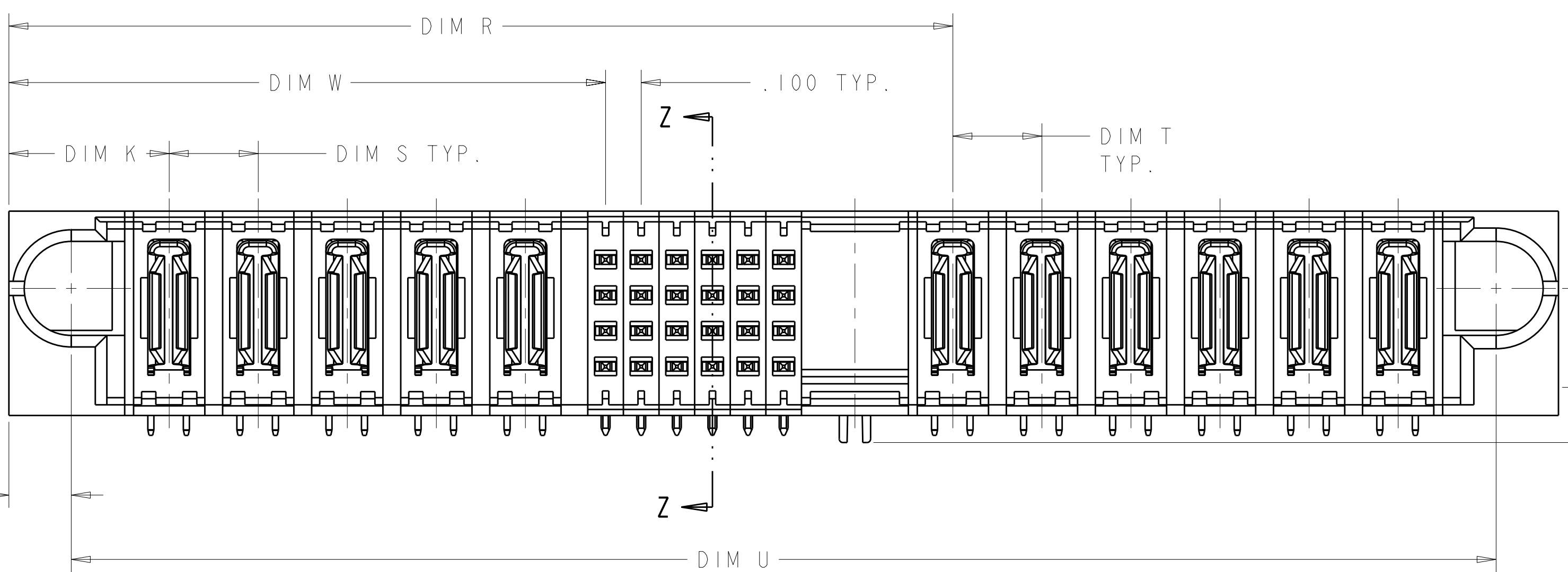


LOC	DIST	REV	DATE	DWN	APVD
ES	00	A	19JAN2009	IL	SY
		DESCRIPTION			
		REV PER ECR-09-000659			



- △ "AMP", PART NUMBER, AND DATE CODE TO BE MARKED IN AREA SHOWN
- △ MATERIAL: HOUSING - GLASS FILLED HIGH TEMP THERMO PLASTIC, UL94 V-0
 SIGNAL CONTACT - COPPER ALLOY
 POWER CONTACT - HIGH CONDUCTIVITY COPPER ALLOY
- △ CONTACT PLATING:
 SIGNAL CONTACTS - .000050 MIN Ni UNDER ALL.
 .000030 MIN. Au ON CONTACT AREA.
 .000100 MIN Sn AT PCB INTERFACE.
 POWER CONTACTS - .000050 MIN Ni UNDER ALL.
 .000030 MIN. Au AT CONTACT AREA.
 .000100 MIN Sn AT PCB INTERFACE.
- △ MECHANICAL CONNECTOR KEEP OUT ZONE.
- △ DATUM AND BASIC DIMENSIONS ESTABLISHED BY CUSTOMER.
- △ PCB - ALL HOLE DIAMETERS ARE FINISHED HOLE SIZES
- △ PCB - .0453 ±.0010 DRILLED HOLES PLATED WITH .0003 MIN Sn OVER
 .001-.003 CU PLATING TO ACHIEVE .040±.003 DIAMETER HOLE
- △ VARIABLE DIMS SHOWN ON VIEW (SHEET 2)

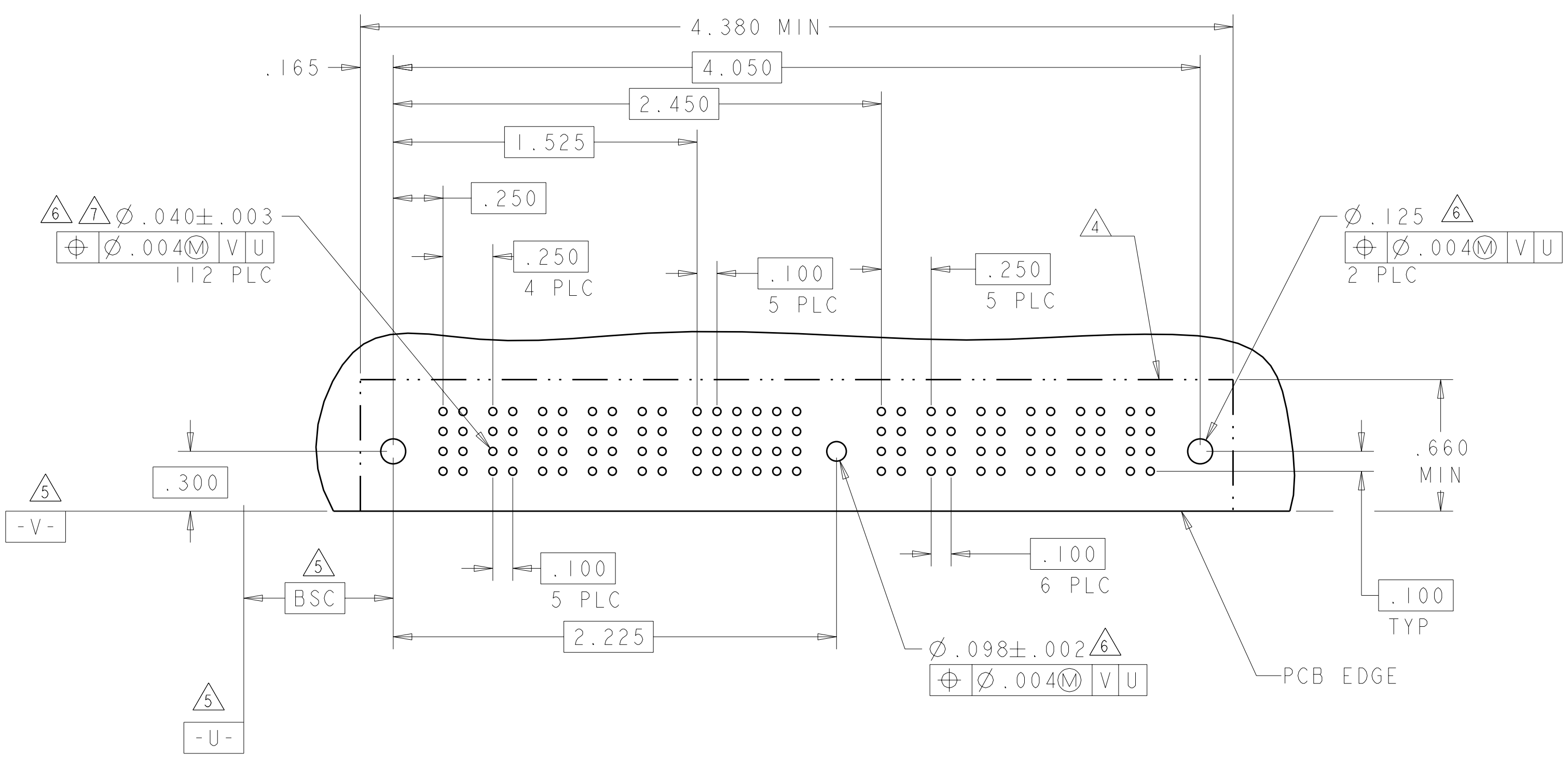


4.000	.250	.250	2.650	1.675	4.050	2.225	4.350	.450	5P + 24S + 1M + 6P	6600131-1
DIM U	DIM S	DIM T	DIM R	DIM W	DIM D	DIM M	DIM L	DIM K	DESCRIPTION	PART NUMBER

DIMENSIONS: INCHES		TOLERANCES UNLESS OTHERWISE SPECIFIED:		DWN: D. ZHU 240CT2007		CHK: S. ZHAO 240CT2007		APVD: S. YAO		NAME: Tyco Electronics Corporation Shanghai, P.R.China, 200233	
0 PLC	±.01	1 PLC	±.01	PRODUCT SPEC	RIGHT ANGLE SOLDER HEADER ASSEMBLY MULTI-BEAM XL						
2 PLC	±.01	3 PLC	±.005	APPLICATION SPEC	SIZE: CAGE CODE: DRAWING NO: RESTRICTED TO						
4 PLC	±.0020	ANGLES	±.0020	114-13038	A11 00779 C=6600131						
MATERIAL: △ 2	FINISH: △ 3	CUSTOMER DRAWING		SCALE: 1:1		SHEET: 1 OF 2		REV: A			

LOC	DIST	REV	DATE	BY	APPD
ES	00				
		DESCRIPTION		DATE	BY
		SEE SHEET 1			

PART NUMBER	ROWS	POWER					SIGNAL						CM	POWER					
		P1	P2	P3	P4	P5	1	2	3	4	5	6		P6	P7	P8	P9	P10	P11
6600131-1	D C B A	PS	PS	PS	PS	PS	J	J	J	J	J	J	PS	PS	PS	PS	PS	PS	
							K	K	K	K	K	K							
							N	N	N	N	N	N							
5P + 24S + 1M + 6P							S	S	S	S	S	HD							



CODE	MATING SEQUENCE	TAIL LENGTH	ROW
E	MLBF	.135	D
F	MLBF	.135	C
G	MLBF	.135	B
H	MLBF	.135	A
J	STD	.135	D
K	STD	.135	C
N	STD	.135	B
S	STD	.135	A

CODE	TAIL LENGTH
PS	.135

DIMENSIONS: INCHES 		TOLERANCES UNLESS OTHERWISE SPECIFIED: 9 PLC ±. 1 PLC ±.01 5 PLC ±.005 4 PLC ±.0020 ANGLES ±.0°		DWN D.ZHU 24OCT2007 CHK S.ZHAO 24OCT2007 APVD S.YAO PRODUCT SPEC 108-1973 APPLICATION SPEC 114-13038 WEIGHT CUSTOMER DRAWING		Tyco Electronics Corporation Shanghai, P.R.China, 200233 NAME RIGHT ANGLE SOLDER HEADER ASSEMBLY MULTI-BEAM XL SIZE CAGE CODE DRAWING NO RESTRICTED TO A11 00779 C-6600131 SCALE 1:1 SHEET 2 OF 2 REV A	
---------------------------	--	--	--	--	--	--	--