

ATLANTIC VERSION TERMINATOR INTERFACE ADAPTER	PART NUMBER	REVISION	DESCRIPTION	FEED TYPE	APPLICATOR STYLE CONVERSION CHART						
					CONVERT TO	PART NUMBERS REQUIRED					
	2150372-2	B	FINE CRIMP HEIGHT ADJUST	PNEUMATIC	-	-	2063961-1	-	-	-	-
	2150372-5	B	FINE CRIMP HEIGHT ADJUST	SERVO LATCH PLATE ⁴	SERVO LATCH PLATE	2119951-1	1901697-1	8-2150372-5	-	-	2168400-7 (QUANTITY 2)
					SMART APPLICATOR	2161326-1	-	8-2150372-4	-	-	-
	2150372-6	B	NON-CRIMP HEIGHT ADJUST	SERVO LATCH PLATE ⁴	-	-	2063961-1	-	-	-	-
	2150372-7	B	FINE CRIMP HEIGHT ADJUST	NONE	-	-	-	-	-	-	-
	7-2150372-7	A	CRIMP TOOLING KIT	-	-	-	-	-	-	-	-

APPLICATOR DATA		
CRIMP	SIZE	TYPE
WIRE	.090 [2.29 mm]	F
INSUL	.130 [3.30 mm]	O
APPL INSTRUCTIONS 408-10390		

TERMINAL DATA: TE TERMINAL		TE CRIMP SPECIFICATION	
TERMINAL NAME: RECEPTACLE, SHUR PLUG, .180 DIA			
WIRE STRIP LENGTH		INSULATION DIAMETER RANGE	
.150-.181 IN [3.81-4.60 mm]		Ø.090-.120 IN [2.29-3.05 mm]	
TERMINAL APPLICATION SPECIFICATION	114-2017		
TERMINALS APPLIED ¹⁰			
TE TERMINAL	TE TERMINAL	TE TERMINAL	TE TERMINAL
42531-1	42531-3	61817-1	
42531-2	42539-1	150639-1	

WIRE SIZE	CRIMP HEIGHT mm [INCH]	CRIMP HEIGHT REFERENCE SETTING ⁹
16 AWG	1.55+/-0.000 [0.061+/-0.000]	4.2
18 AWG	1.40+/-0.000 [0.055+/-0.000]	5.7
20 AWG	1.29+/-0.000 [0.051+/-0.000]	6.9

- ¹ RECOMMENDED SPARE PARTS
- ² GREASE BEARING SURFACES LIGHTLY
- 3. LUBRICATE DAILY PER THE APPLICATOR INSTRUCTION SHEET SUPPLIED WITH THE APPLICATOR.
- ⁴ APPLICATOR SPECIFIC DATA TO BE ENTERED INTO BLANK MEMORY CHIP AT ASSEMBLY. SEE BELOW FOR PART NUMBER:
 PNEUMATIC FEED WITH "SMART APPLICATOR" CONVERSION: 8-2150372-4
 SERVO FEED WITH "FINE CRIMP HEIGHT ADJUST": 8-2150372-5
 SERVO FEED WITH "NON-CRIMP HEIGHT ADJUST": 8-2150372-6
- 5. ADJUSTMENT OF THE STRIPPER MAY BE REQUIRED WHEN MOVING THE APPLICATOR BETWEEN BENCH AND LEADMAKER APPLICATIONS.
- ⁶ APPLY PART NUMBER 1-23419-5 LOCTITE TO THREADS OF ITEMS 62, 180. APPLY PART NUMBER 2-23419-6 LOCTITE TO THREADS OF ITEMS 242. FOR -6 ONLY APPLY PART NUMBER 1-23419-5 LOCTITE TO THREADS OF ITEMS 37, 180.
- ⁷ GREASE THREADS, GROOVE AND O-RING ON ITEMS 35 & 252.
- ⁸ MAGNET, ITEM 166 MUST BE ORIENTED CORRECTLY IN ORDER TO PROPERLY ACTUATE THE COUNTER.
- ⁹ CRIMP HEIGHT REFERENCE SETTING WAS THE SETTING USED WHEN THE APPLICATOR WAS QUALIFIED AT THE FACTORY. ADJUSTMENT MAY BE NECESSARY WHEN RUNNING APPLICATOR IN THE FIELD.
- ¹⁰ TERMINAL PITCH NOT COMPATIBLE WITH MECHANICAL FEED.
- ¹¹ THE RECOMMENDED SET-UP FOR END FEED APPLICATORS IS POST-FEED WITH ITEM 2119653-1. THE APPLICATOR CAN BE CONFIGURED FOR PRE-FEED WITH ITEM 2119652-1 BUT MAY ENCOUNTER PROBLEMS WITH SOME APPLICATIONS. FEED ISSUES OR TERMINAL JAMMING MAY OCCUR IN THE PRE-FEED CONFIGURATION.
- ¹² WHEN ASSEMBLING -6 NON-CRIMP HEIGHT ADJUST APPLICATOR USE SHIM PACK 2119957-2 TO ALIGN APPLICATOR'S MAXIMUM WIRE CRIMP HEIGHT AT NORMAL TERMINATOR SHUT HEIGHT

-77	-7	-6	-5	-2	PART NO	DESCRIPTION	ITEM NO
-	-	1	-	-	2119957-2	TEC Standard Metric Part Template	
-	-	1	-	1	8-21084-0	APPLICATOR SHIM PACK	260
-	-	-	-	1	2119640-1	O-RING, .676 ID, .070 DIA. MAT.	252
-	-	-	-	1	2079988-1	PUSH ROD, AIR FEED	250
-	-	-	-	1		BUSHING, LCH5-12, MISUMI	249

ATLANTIC VERSION
 Shown on sheets 1 of 4 & 2 of 4
 (Pacific version shown on sheets 3 of 4 & 4 of 4)

SET UP GAUGE	LOC	DIST	REVISIONS			
2119599-2	A	66	REV	DATE	BY	APPV
	A		RELEASED	07NOV2013	BH	GB
	B		ECR-15-000343	09JAN2015	JH	TE

REV	DATE	BY	APPV	DESCRIPTION	ITEM NO		
-	-	-	-	1	2119641-1	FEED CAM, AIR FEED	248
-	-	1	-	1	2119798-1	DETENT PIN	247
-	-	1	-	1	1-22279-3	SPRING, COMPRESSION	246
-	-	1	-	-	2119759-1	RAM, AMP STYLE, END FEED, NON-ADJUST	245
-	-	1	1	1	2119082-9	CAM, SNAIL, INSULATION ADJUSTMENT	244
-	-	1	1	1	2079764-1	WASHER, WAVE SPRING, CREST-TO-CREST	243
⁶	-	1	1	1	2119083-1	RETAINER, INSULATION DIAL	242
-	-	2	2	-	2168400-7	SHCS, LOW HEAD, RoHS, M5 X 10	240
-	-	-	-	1	2063440-1	AIR FEED MODULE	238
-	-	1	1	-	2119740-2	TAG, IDENTIFICATION	213
-	-	REFREF	-	-	1901697-1	FEED FINGER ASSEMBLY, EF	183
⁶	-	1	1	1	1-1976055-9	STANDOFF, HOLD-DOWN	180
-	-	1	1	1	6-993111-6	PIN, SLOTTED SPRING 3.0 X 14.0	177
-	-	1	1	1	8-22280-7	SPRING, COMPRESSION	176
-	-	1	1	1	1752353-2	GUIDE PIN, HOLDDOWN	175
-	-	1	1	1	1901680-2	GUIDE PIN, HOLDDOWN	174
-	-	-	-	2	21045-3	RING, RETAIN, EXTERN, 3/16 CRESCENT	172
-	-	1	1	1	994969-1	MAGNET, RARE EARTH HIGH ENERGY	166
-	-	REFREFREFREF	-	-	994970-2	COUNTER, MAGNETIC	164
-	-	-	-	1	240638-1	SPRING, FEED FINGER	163
-	-	-	-	1	3-23627-7	PIN, RETAIN, GRVD, 3/16 X .854	137
-	-	REFREF	-	-	SEE NOTE 4	MEMORY CHIP, PROGRAMMED	135
-	-	1	1	-	1633743-1	SERVO FEED LATCH ASM	133
-	-	1	1	1	455888-5	SPACER, CRIMPER	82
-	-	1	1	1	2119791-9	DEPRESSOR, WIRE	73
-	-	1	1	1	2119956-2	DOCUMENTATION PACKAGE	71
-	-	2	2	2	2-18032-2	SCR, SET, FLT POINT M3 X 10.0	70
-	-	1	1	1	2119943-1	WASHER, SPACER	69
-	-	1	-	1	2119740-1	TAG, IDENTIFICATION	67
-	-	2	2	2	2168078-1	SCREW, DRIVE, RH, RoHS, 2 x .188	66
-	-	1	1	1	1901681-1	HOLDDOWN, TERMINAL	65
⁶	-	1	-	1	2119793-1	LIMITER, ADJUSTMENT BOLT	63
-	-	3	-	3	992763-5	SCR, SET, SOC, CONE POINT, M3 X 4.0	62
-	-	1	1	1	2079383-4	SCR, BHSC, RoHS (M4 X 8)	60
-	-	4	4	4	2168400-4	SHCS, LOW HEAD, RoHS, M4 X 8	57
-	-	2	2	2	2168083-8	SCR, SKT HD CAP, RoHS, M4 X 16	56
-	-	2	2	2	5018030-2	NUT, HEX, REG, RoHS, M4	55
-	-	2	2	2	5018030-1	NUT, HEX, REG, RoHS, M3	54
-	-	2	2	2	986965-8	NUT, LOCK, HEX, TORQUE (M4)	53
-	-	1	1	1	1-5018030-0	NUT, HEX, REG, RoHS, M3.5	52
-	-	-	-	1	2119792-2	PAWL, EF, AIR	51
-	-	-	-	1	18023-9	SCR, SKT HD CAP M4 X 6.0	49
-	-	1	1	1	2119655-5	APPLICATOR BASIC ASSEMBLY, EF	46
-	-	1	-	1	2119369-1	RAM, AMP STYLE, END FEED	44
-	-	1	1	1	2079383-7	SCR, BHSC, RoHS (M8 X 25)	41
-	-	1	-	1	2119645-1	DISC, NUMBERED FA WIRE ADJUSTMENT	40
-	-	1	-	1	2119957-1	APPLICATOR SHIM PACK	39
-	-	1	1	1	2119644-1	RAM WASHER, PRECISION	38
⁶	-	1	1	1	2119085-1	FA HEAD, ATLANTIC STYLE	37
-	-	1	-	1	2119092-1	BOLT, ADJUSTMENT	35
-	-	8	8	8	1-18028-2	WASHER, FLAT, REG M4	33
-	-	2	2	2	2168083-9	SCR, SKT HD CAP, RoHS, M4 X 20	31
-	-	2	2	2	1-2168083-0	SCR, SKT HD CAP, RoHS, M4 X 10	29
-	-	1	1	1	240639-1	STRIPPER (MACHINING)	27
-	-	2	2	2	1320906-1	STUD, THREADED	25
-	-	1	1	1	1752371-5	PLATE, STRIP GUIDE	24
-	-	2	2	2	2-22281-3	SPRING, COMPRESSION	22
-	-	1	1	1	1752373-4	DRAG	20
-	-	2	2	2	1901259-6	GUIDE, LOWER STRIP	18
-	-	4	4	4	1-2079383-1	SCR, BHSC, RoHS (M6 X 12)	17
-	-	1	1	1	4-240641-3	SPACER	16
-	-	1	1	1	1752360-1	SPACER, HOLD-DOWN	13
¹	-	1	1	1	240644-1	PLATE, REAR SHEAR	11
¹	-	2	2	2	1-240645-6	SPACER, SHEAR PLATE	10
¹	-	1	1	1	1-240642-2	PLATE, FRONT SHEAR	9
¹	1	1	1	1	3-1803000-5	ANVIL, COMBINATION, END FEED	8
¹	-	1	1	1	9-240651-0	BLADE, SLUG	7
-	-	-	-	-	-	-	6
-	-	1	1	1	8-240641-5	SPACER	5
-	-	1	1	1	238009-1	BLOCK, FL CRIMPER SPACER	4
¹	1	1	1	1	3-1803019-1	CRIMPER, INSULATION O	3
-	-	-	-	-	-	-	2
¹	1	1	1	1	4-456406-7	CRIMPER, WIRE PREMIUM	1
-77	-7	-6	-5	-2	PART NO	DESCRIPTION	ITEM NO

DIMENSIONS:		TOLERANCES UNLESS OTHERWISE SPECIFIED:		DATE	
mm	0 PLC ±0.5	1 PLC ±0.13	2 PLC ±0.013	01JUN2011	CHK
	3 PLC ±0.001	4 PLC ±0.0001	ANGLES ±0.0001	01JUN2011	APPV
MATERIAL:		FINISH:		NAME	
				H. STAKEM	
				G. BAILEY	
				M. CLIFFORD	
				TE Connectivity	
				Harrisburg, PA 17105-3608	
				Ocean End Feed	
				Applicator	
				SIZE	
				A1 00779	
				CAGE CODE	
				00779	
				DRAWING NO	
				C=2150372	
				RESTRICTED TO	
				Customer Accessible Production Drawing	
				SCALE	
				1:1	
				SHEET	
				1 of 4	
				REV	
				B	

PACIFIC VERSION TERMINATOR INTERFACE ADAPTER	PART NUMBER	REVISION	DESCRIPTION	FEED TYPE	APPLICATOR STYLE CONVERSION CHART					
					CONVERT TO	PART NUMBERS REQUIRED				
	2-2150372-2	B	FINE CRIMP HEIGHT ADJUST	PNEUMATIC	-	2063961-1	-	2119653-2	-	-
					SERVO LATCH PLATE	2119951-1	1901697-1	8-2150372-5	-	2168400-7 (QUANTITY 2)
	2-2150372-5	B	FINE CRIMP HEIGHT ADJUST	SERVO LATCH PLATE ⁴	-	2063961-1	-	2119653-2	-	-
					PNEUMATIC FEED	2119950-1	2119792-2	-	2119641-2	-
2-2150372-7	B	FINE CRIMP HEIGHT ADJUST	NONE	-	-	-	-	-	-	
7-2150372-7	A	CRIMP TOOLING KIT	-	-	-	-	-	-	-	

APPLICATOR DATA		
CRIMP	SIZE	TYPE
WIRE	.090 [2.29 mm]	F
INSUL	.130 [3.30 mm]	O
APPL INSTRUCTIONS 408-10390		

TERMINAL DATA: TE TERMINAL		TE CRIMP SPECIFICATION	
TERMINAL NAME: RECEPTACLE, SHUR PLUG, .180 DIA			
WIRE STRIP LENGTH		INSULATION DIAMETER RANGE	
.150-.181 IN [3.81-4.60 mm]		∅.090-.120 IN [2.29-3.05 mm]	
TERMINAL APPLICATION SPECIFICATION	114-2017	-	-
TERMINALS APPLIED ¹⁰			
TE TERMINAL	TE TERMINAL	TE TERMINAL	TE TERMINAL
42531-1	42531-3	61817-1	
42531-2	42539-1	150639-1	

WIRE SIZE	CRIMP HEIGHT mm [INCH]	CRIMP HEIGHT REFERENCE SETTING ⁹
16 AWG	1.55+/-0.000 [.061+/- .000]	4.2
18 AWG	1.40+/-0.000 [.055+/- .000]	5.7
20 AWG	1.29+/-0.000 [.051+/- .000]	6.9

- RECOMMENDED SPARE PARTS
- GREASE BEARING SURFACES LIGHTLY
- 3. LUBRICATE DAILY PER THE APPLICATOR INSTRUCTION SHEET SUPPLIED WITH THE APPLICATOR.
- APPLICATOR SPECIFIC DATA TO BE ENTERED INTO BLANK MEMORY CHIP AT ASSEMBLY. SEE BELOW FOR PART NUMBER:
 PNEUMATIC FEED WITH "SMART APPLICATOR" CONVERSION: 8-2150372-4
 SERVO FEED WITH "FINE CRIMP HEIGHT ADJUST": 8-2150372-5
- 5. ADJUSTMENT OF THE STRIPPER MAY BE REQUIRED WHEN MOVING THE APPLICATOR BETWEEN BENCH AND LEADMAKER APPLICATIONS.
- APPLY PART NUMBER 1-23419-5 LOCTITE TO THREADS OF ITEMS 62, 180. APPLY PART NUMBER 2-23419-6 LOCTITE TO THREADS OF ITEMS 242.
- GREASE THREADS, GROOVE AND O-RING ON ITEMS 139 & 153.
- MAGNET, ITEM 166 MUST BE ORIENTED CORRECTLY IN ORDER TO PROPERLY ACTUATE THE COUNTER.
- CRIMP HEIGHT REFERENCE SETTING WAS THE SETTING USED WHEN THE APPLICATOR WAS QUALIFIED AT THE FACTORY. ADJUSTMENT MAY BE NECESSARY WHEN RUNNING APPLICATOR IN THE FIELD.
- TERMINAL PITCH NOT COMPATIBLE WITH MECHANICAL FEED.

				TEC Standard Metric Part Template		
-	1	1	1	2119782-1	FINE ADJUST HEAD ASM, PACIFIC STYLE	251
-	-	-	1	2119640-1	PUSH ROD, AIR FEED	250
-	-	-	1	2079988-1	BUSHING, LCH5-12, MISUMI	249
-	1	1	1	1-22279-3	SPRING, COMPRESSION	246
-	1	1	1	2119082-9	CAM, SNAIL, INSULATION ADJUSTMENT	244
-77-27-25-22				PART NO	DESCRIPTION	ITEM NO

PACIFIC VERSION
 Shown on sheets 3 of 4 & 4 of 4
 (Atlantic version shown on sheets 1 of 4 & 2 of 4)

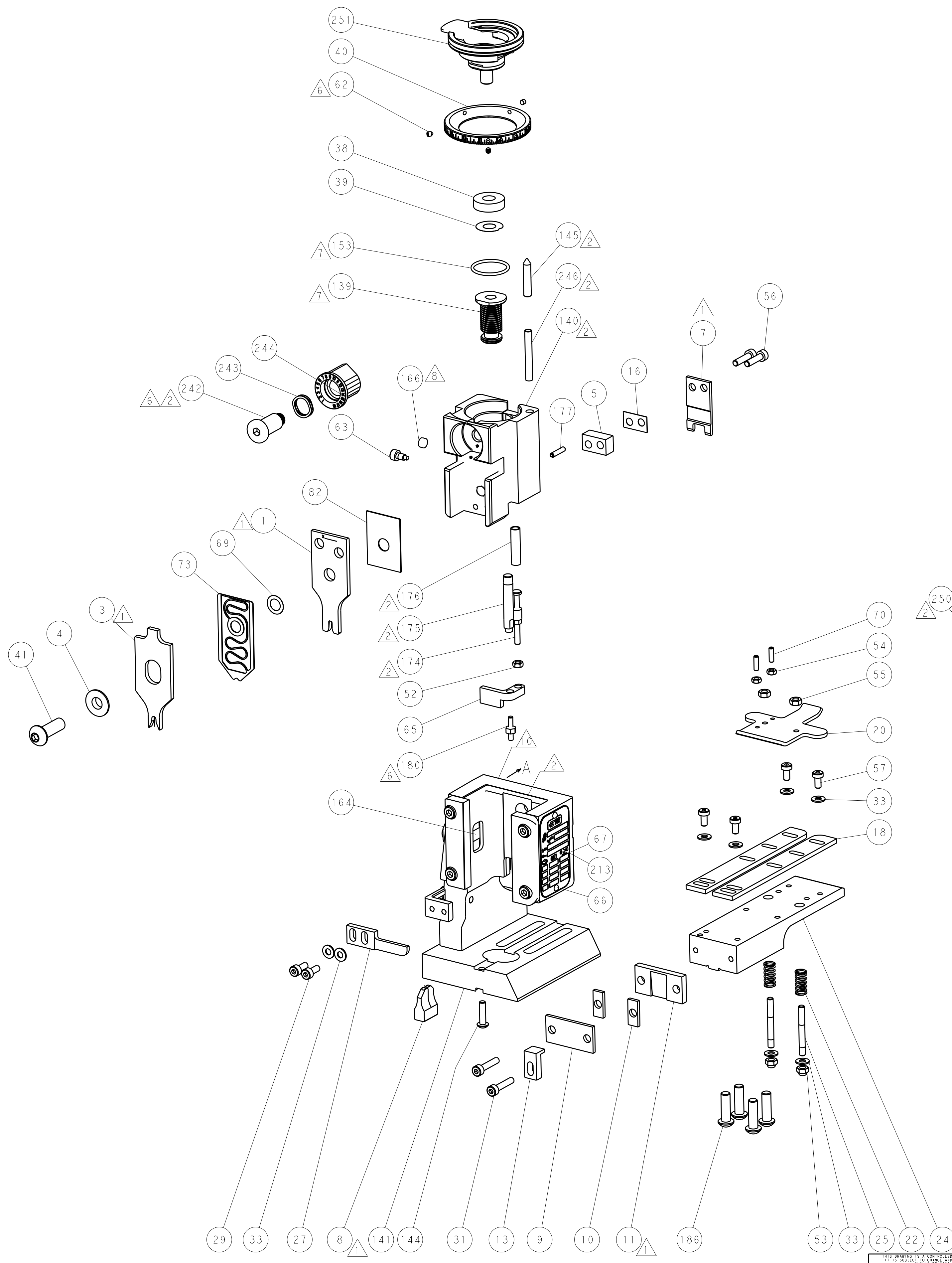
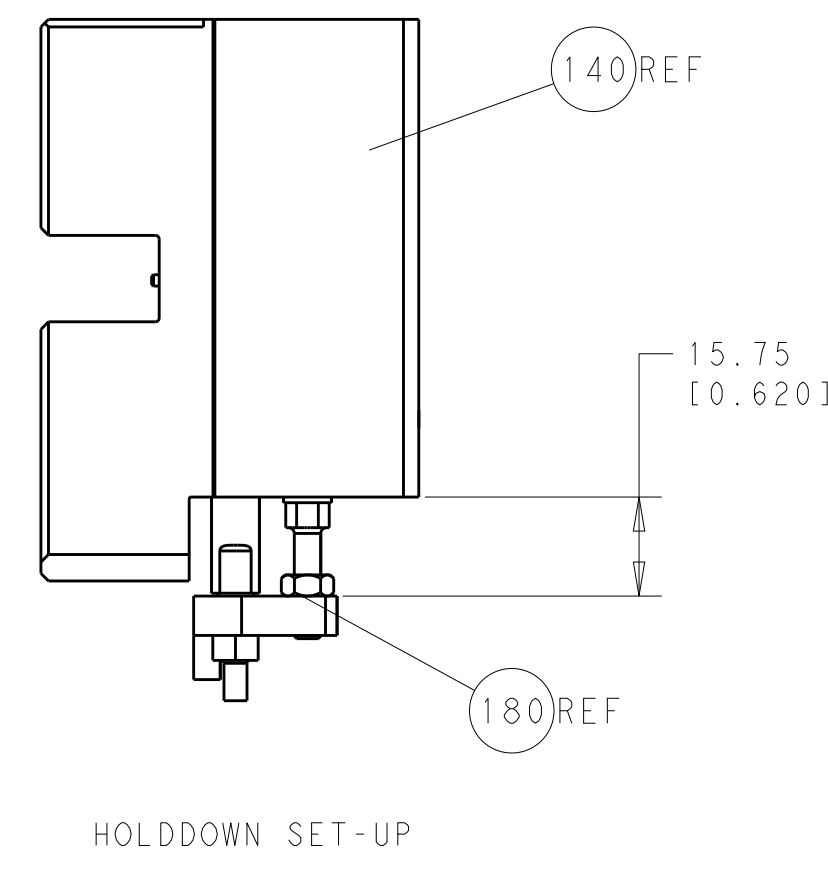
SET UP GAUGE	LOC	DIST	REVISIONS			
2119599-2	A	66	REV	DATE	BY	APPV
			-	SEE SHEET 1	-	-

-	1	1	1	2079764-1	WASHER, WAVE SPRING, CREST-TO-CREST	243
-	1	1	1	2119083-1	RETAINER, INSULATION DIAL	242
-	-	2	-	2168400-7	SHCS, LOW HEAD, RoHS, M5 X 10	240
-	-	-	-	2119580-1	MECHANICAL FEED ASSEMBLY	239
-	-	-	1	2063440-1	AIR FEED MODULE	238
-	-	1	-	2119740-2	TAG, IDENTIFICATION	213
-	4	4	4	2079383-9	SCR, BHSC, RoHS (M6 X 20)	186
-	-	REF	-	1901697-1	FEED FINGER ASSEMBLY, EF	183
-	1	1	1	1-1976055-9	STANDOFF, HOLD-DOWN	180
-	1	1	1	6-993111-6	PIN, SLOTTED SPRING 3.0 X 14.0	177
-	1	1	1	8-22280-7	SPRING, COMPRESSION	176
-	1	1	1	1752353-2	GUIDE PIN, HOLDDOWN	175
-	1	1	1	1901680-2	GUIDE PIN, HOLDDOWN	174
-	-	-	2	21045-3	RING, RETAIN, EXTERN, 3/16 CRESCENT	172
-	1	1	1	994969-1	MAGNET, RARE EARTH HIGH ENERGY	166
-	REF	REF	REF	994970-2	COUNTER, MAGNETIC	164
-	-	-	1	240638-1	SPRING, FEED FINGER	163
-	1	1	1	8-21084-1	O-RING, .801 ID, .070 DIA. MAT.	153
-	-	-	1	2119641-2	FEED CAM, AIR FEED	152
-	1	1	1	2119798-2	DETENT PIN	145
-	1	1	1	2079383-8	SCR, BHSC, RoHS (M4 X 16)	144
-	-	-	-	2119653-2	FEED CAM, POST FEED	142
-	1	1	1	2119655-6	APPLICATOR BASIC ASSEMBLY, EF	141
-	1	1	1	2119651-1	RAM, ASIAN STYLE, END FEED	140
-	1	1	1	2119092-2	BOLT, ADJUSTMENT	139
-	-	-	1	3-23627-7	PIN, RETAIN, GRVD, 3/16 X .854	137
-	-	REF	-	SEE NOTE 4	MEMORY CHIP, PROGRAMMED	135
-	-	1	-	1633743-1	SERVO FEED LATCH ASM	133
-	1	1	1	455888-5	SPACER, CRIMPER	82
-	1	1	1	2119791-9	DEPRESSOR, WIRE	73
-	1	1	1	2119956-2	DOCUMENTATION PACKAGE	71
-	2	2	2	2-18032-2	SCR, SET, FLT POINT M3 X 10.0	70
-	1	1	1	2119943-1	WASHER, SPACER	69
-	1	-	1	2119740-1	TAG, IDENTIFICATION	67
-	2	2	2	2168078-1	SCREW, DRIVE, RH, RoHS, 2 x .188	66
-	1	1	1	1901681-1	HOLDDOWN, TERMINAL	65
-	1	1	1	2119793-1	LIMITER, ADJUSTMENT BOLT	63
-	3	3	3	992763-5	SCR, SET, SOC, CONE POINT, M3 x 4.0	62
-	-	-	-	2063961-1	FEED FINGER	58
-	4	4	4	2168400-4	SHCS, LOW HEAD, RoHS, M4 X 8	57
-	2	2	2	2168083-8	SCR, SKT HD CAP, RoHS, M4 X 16	56
-	2	2	2	5018030-2	NUT, HEX, REG, RoHS, M4	55
-	2	2	2	5018030-1	NUT, HEX, REG, RoHS, M3	54
-	2	2	2	986965-8	NUT, LOCK, HEX, TORQUE (M4)	53
-	1	1	1	1-5018030-0	NUT, HEX, REG, RoHS, M3.5	52
-	-	-	1	2119792-2	PAWL, EF, AIR	51
-	-	-	1	18023-9	SCR, SKT HD CAP M4 X 6.0	49
-	1	1	1	2079383-7	SCR, BHSC, RoHS (M8 X 25)	41
-	1	1	1	2119645-1	DISC, NUMBERED FA WIRE ADJUSTMENT	40
-	1	1	1	2119957-1	APPLICATOR SHIM PACK	39
-	1	1	1	2119644-1	RAM WASHER, PRECISION	38
-	8	8	8	1-18028-2	WASHER, FLAT, REG M4	33
-	2	2	2	2168083-9	SCR, SKT HD CAP, RoHS, M4 X 20	31
-	2	2	2	1-2168083-0	SCR, SKT HD CAP, RoHS, M4 X 10	29
-	1	1	1	240639-1	STRIPPER (MACHINING)	27
-	2	2	2	1320906-1	STUD, THREADED	25
-	1	1	1	1752371-5	PLATE, STRIP GUIDE	24
-	2	2	2	2-22281-3	SPRING, COMPRESSION	22
-	1	1	1	1752373-4	DRAG	20
-	2	2	2	1901259-6	GUIDE, LOWER STRIP	18
-	1	1	1	4-240641-3	SPACER	16
-	1	1	1	1752360-1	SPACER, HOLD-DOWN	13
-	1	1	1	240644-1	PLATE, REAR SHEAR	11
-	2	2	2	1-240645-6	SPACER, SHEAR PLATE	10
-	1	1	1	1-240642-2	PLATE, FRONT SHEAR	9
-	1	1	1	3-1803000-5	ANVIL, COMBINATION, END FEED	8
-	1	1	1	9-240651-0	BLADE, SLUG	7
-	-	-	-	-	-	6
-	1	1	1	8-240641-5	SPACER	5
-	1	1	1	238009-1	BLOCK, FL CRIMPER SPACER	4
-	1	1	1	3-1803019-1	CRIMPER, INSULATION O	3
-	-	-	-	-	-	2
-	1	1	1	4-456406-7	CRIMPER, WIRE PREMIUM	1
-77-27-25-22				PART NO	DESCRIPTION	ITEM NO

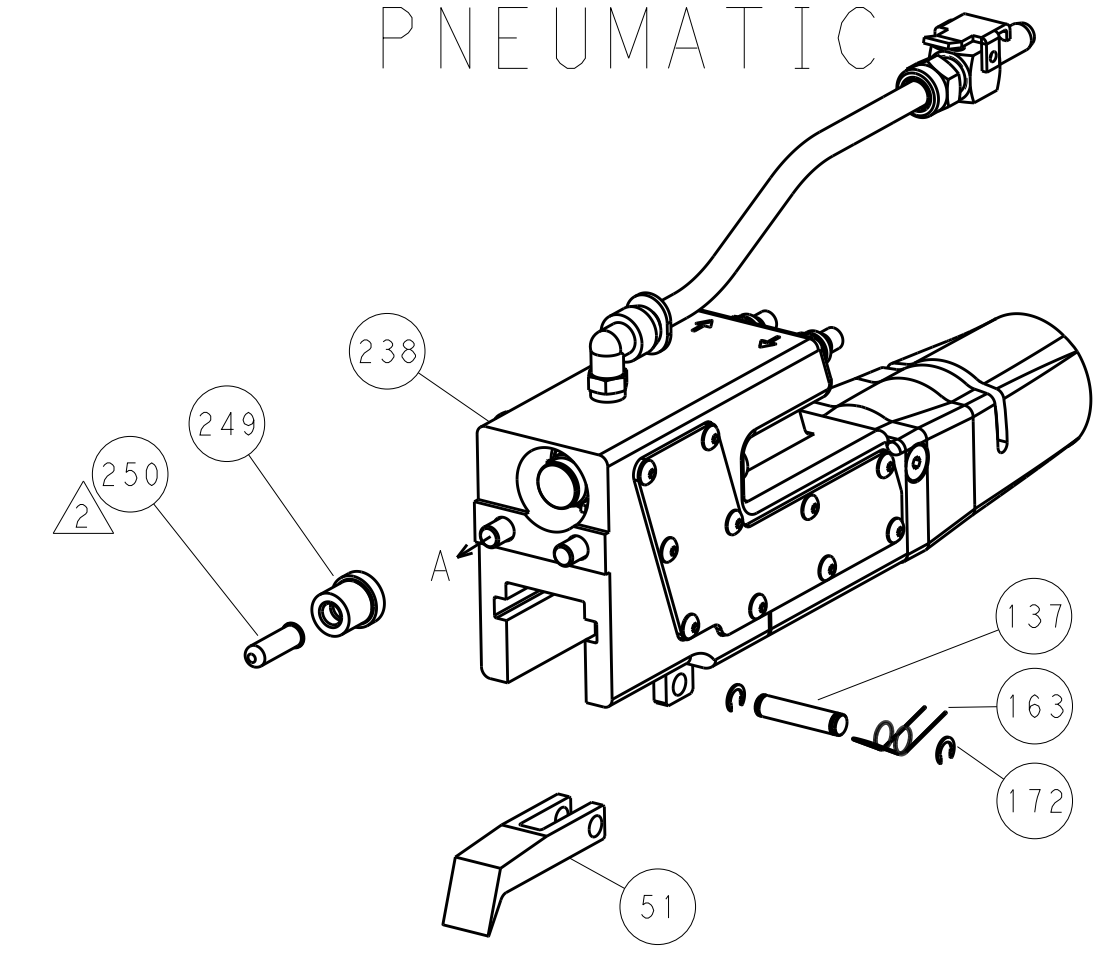
DIMENSIONS:		TOLERANCES UNLESS OTHERWISE SPECIFIED:		DATE	
mm	0 PLC ±.5	1 PLC ±.3	2 PLC ±.2	01 JUN 2011	CHK
	3 PLC ±.13	4 PLC ±.013	ANGLES ±.0001	01 JUN 2011	APPV
MATERIAL	FINISH	WEIGHT	SCALE	Customer Accessible Production Drawing	

DRW	PL STAKEM	01 JUN 2011		TE Connectivity
CHK	G. BAILEY	01 JUN 2011		Harrisburg, PA 17105-3608
APPV	M. CLIFFORD	01 JUN 2011	NAME	
PRODUCT SPEC			Ocean End Feed Applicator	
APPLICATION SPEC			SIZE	CAGE CODE
MATERIAL			00779	2150372
WEIGHT			SCALE	SHEET 3 OF 4
Customer Accessible Production Drawing			REV	B

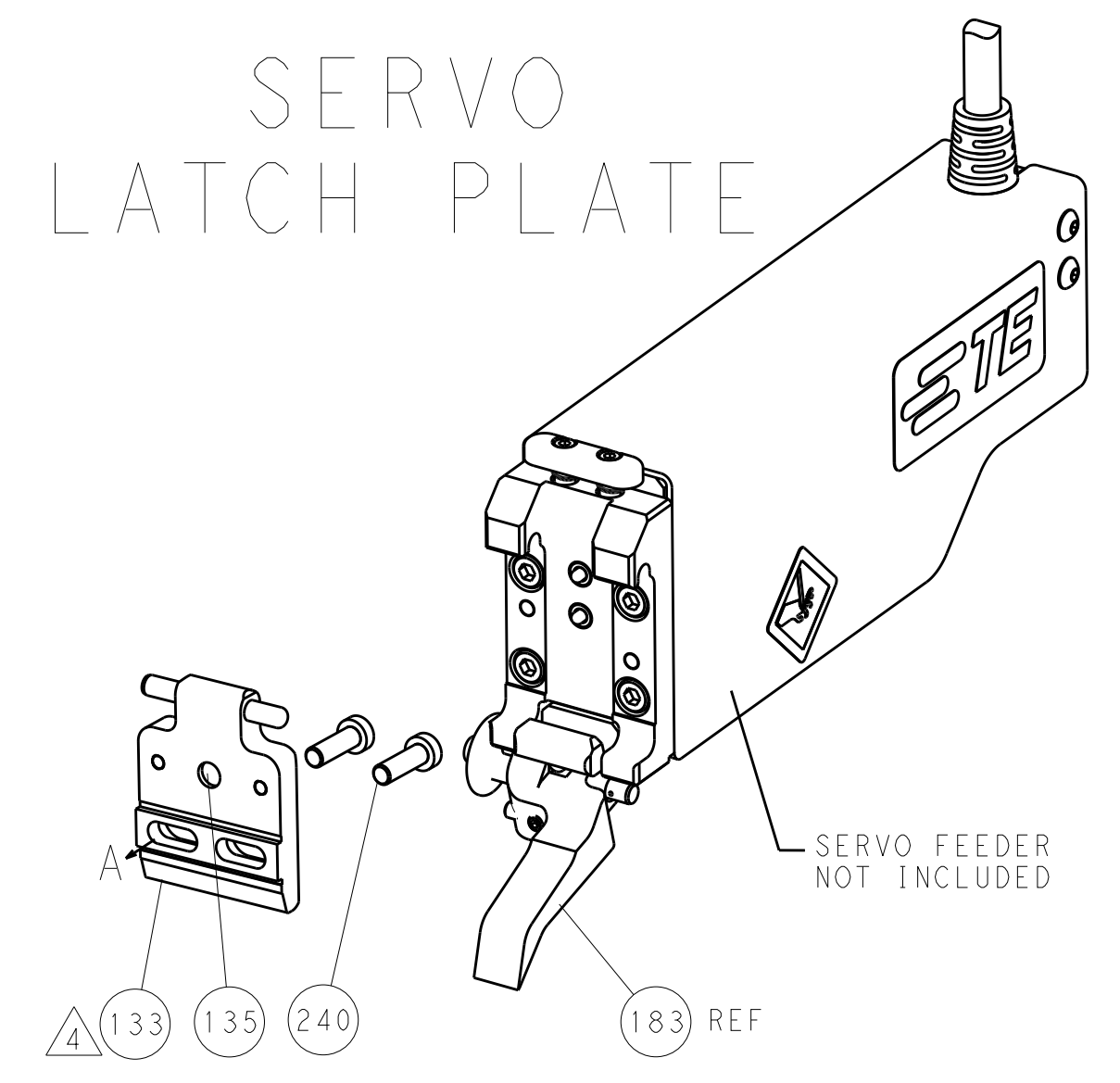
LOC	DIST	REV	DATE	BY	APPV
A	66				



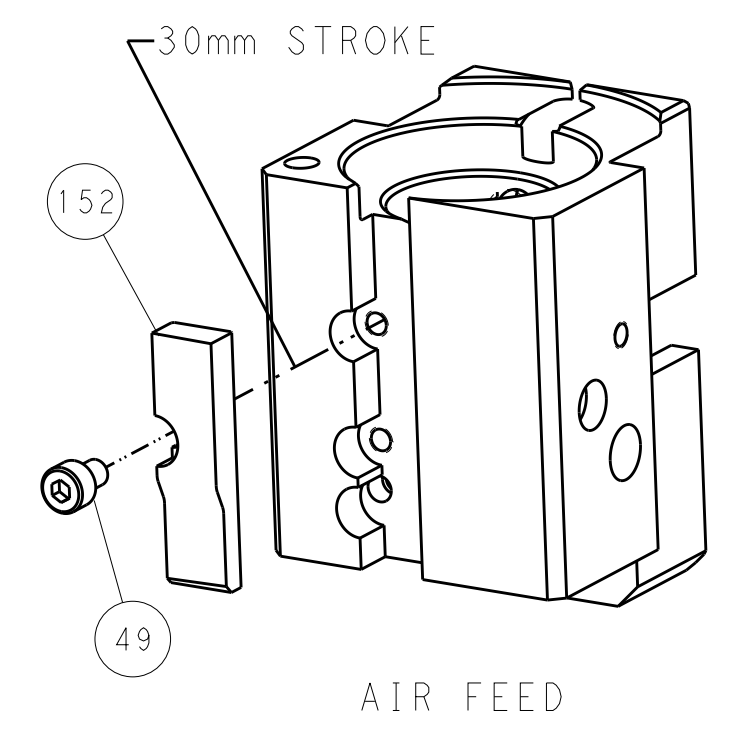
FEED TYPE
 PNEUMATIC



SERVO
 LATCH PLATE



CAM POSITIONS



PACIFIC VERSION
 Shown on sheets 3 of 4 & 4 of 4
 (Atlantic version shown on sheets 1 of 4 & 2 of 4)

DIMENSIONS: mm 		TOLERANCES UNLESS OTHERWISE SPECIFIED: 0 PLC ±.5 1 PLC ±0.5 2 PLC ±0.13 3 PLC ±0.013 4 PLC ±0.001 ANGLES ±.1		DWN L. STAKEM 01JUN2011 CHK G. BAILEY 01JUN2011 APVD M. CLIFFORD 01JUN2011 NAME PRODUCT SPEC APPLICATION SPEC WEIGHT SCALE 1:1 SHEET 4 OF 4 REV B		STE TE Connectivity Harrisburg, PA 17105-3608 NAME Ocean End Feed Applicator SIZE CAGE CODE DRAWING NO A1 00779 C=2150372 RESTRICTED TO	
-----------------------	--	--	--	--	--	---	--