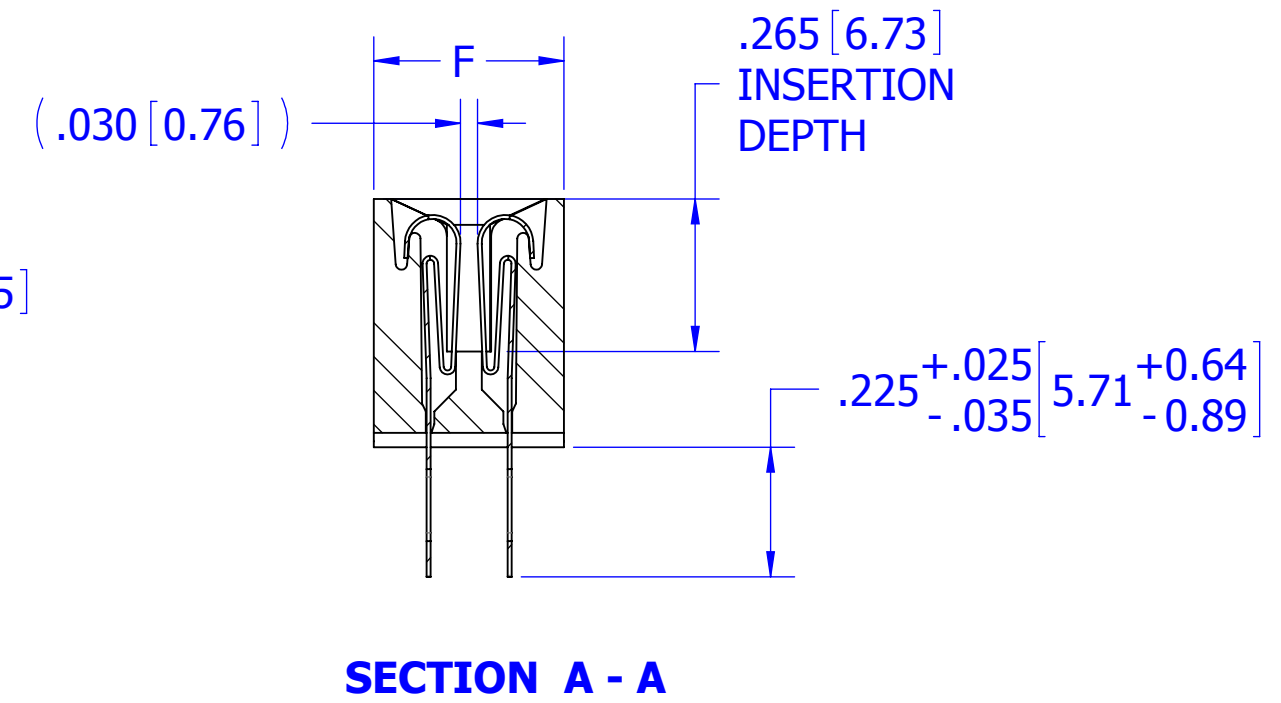
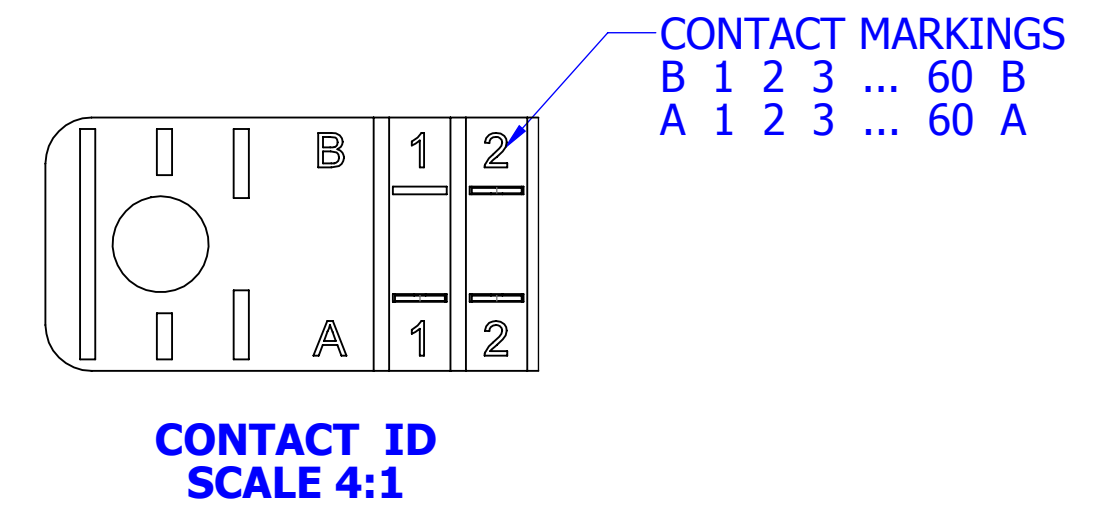
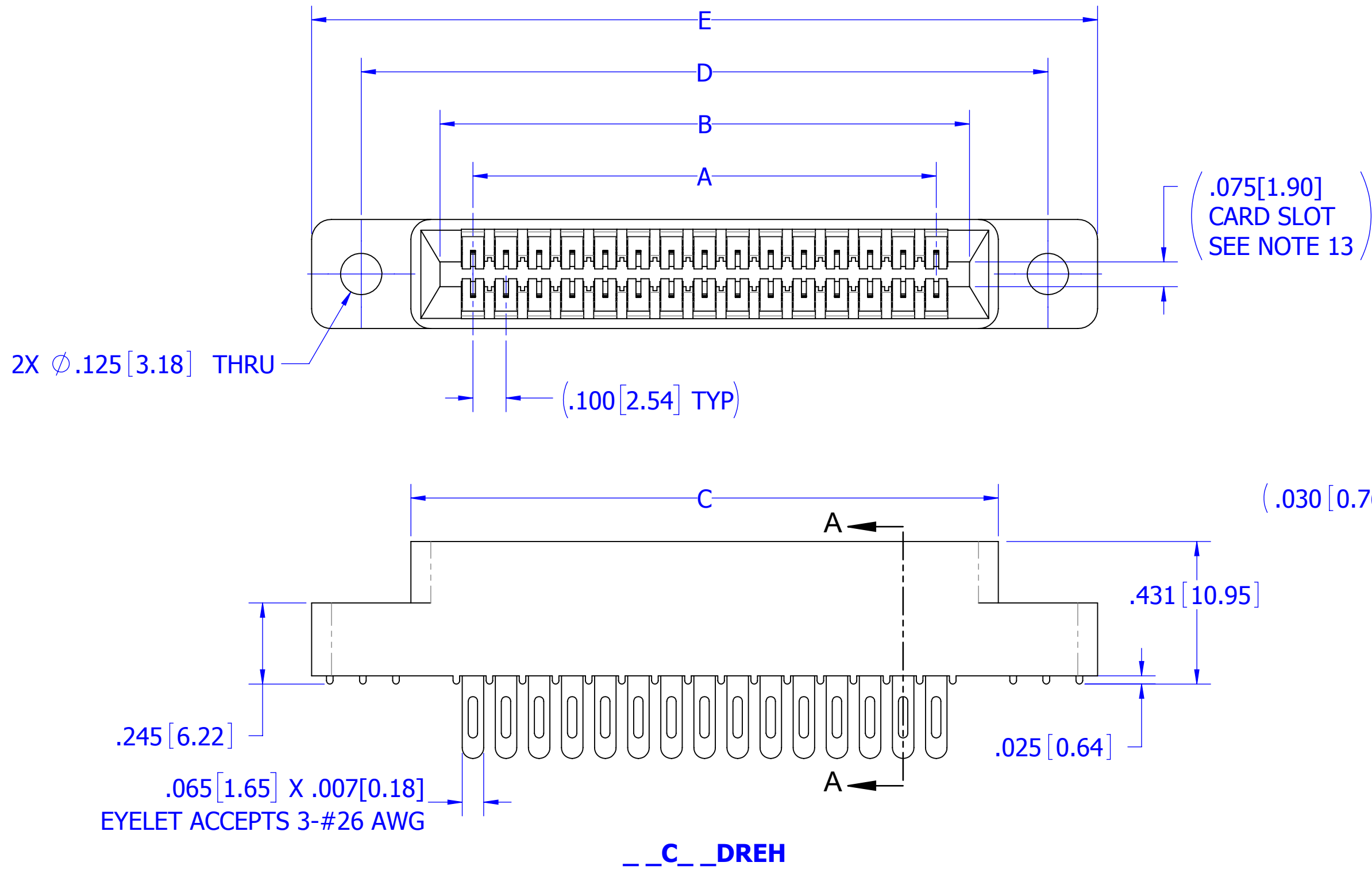


REVISIONS				
REV.	ECO. NO.	DESCRIPTION	DATE	BY
C	3439	ADD -S38, -S81, -S328 MODIFICATION OPTIONS, UPDATE DWG FORMAT, UPDATE BOM ON PRODUCTION DWG, UPDATE PRODUCT FAMILY SPECIFICATIONS, UPDATE MATERIAL SPECIFICATIONS, ADD MATERIAL COLOR TO P/N CODING	5/12/2016	MG
D	3880	ADD KEY IN & BETWEEN POSITION OPTION, OBSOLETE DWG 13337(S1632) & DWG 12606(S688) REPLACE WITH DWG 10870	7/17/2018	JH



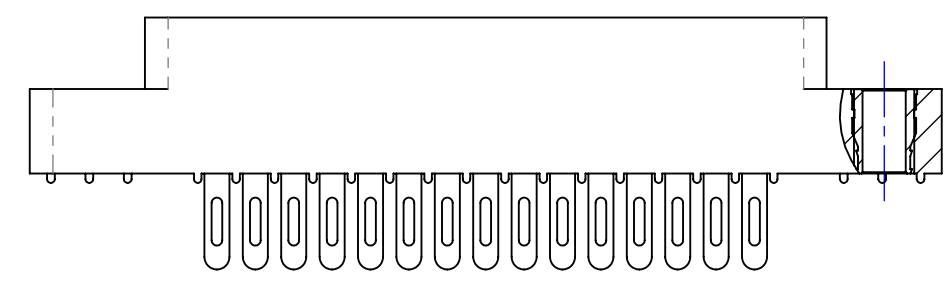
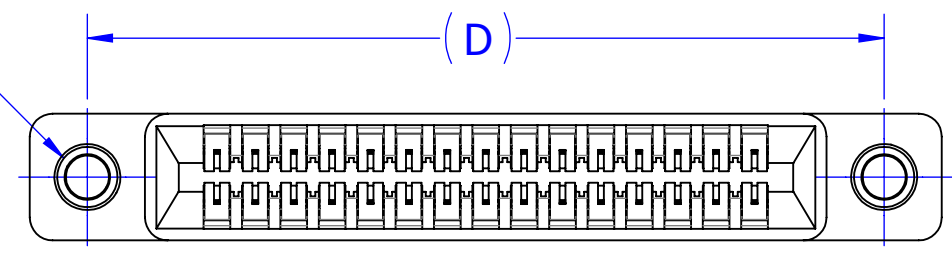
- NOTES:
1. INSULATOR MATERIAL: SEE PART NUMBER CODING
 2. CONTACT MATERIAL: SEE PART NUMBER CODING
 3. PLATING: SEE PART NUMBER CODING
 4. OPERATING TEMPERATURE: SEE PART NUMBER CODING
 5. PROCESSING TEMP: SEE PART NUMBER CODING
 6. UL FLAMMABILITY RATING: 94V-0
 7. OPERATING VOLTAGE: 700 VAC
 8. CURRENT RATING: 3 AMP
 9. CONTACT RESISTANCE: 30 MILLI OHMS MAX
 10. INSULATION RESISTANCE: 5000 MEGA OHMS
 11. DURABILITY: 500 CYCLES MINIMUM
 12. CONNECTOR IDENTIFICATION: THE PART SHALL BE MARKED WITH A PART NUMBER AND LOT CODE
 13. BOARD THICKNESS ACCOMMODATED: $.062 \pm .008$ [1.57 \pm 0.20]
 14. INSERTION FORCE: 16 OZ MAX PER CONTACT PAIR WHEN USING A $.062$ [1.57] TEST BLADE
INTERNAL INSPECTION TO BE PER SULLINS WORK INSTRUCTION WI-8.6-03
 15. WITHDRAWAL FORCE: 1 OZ MIN PER CONTACT PAIR USING $.062$ [1.57] TEST BLADE
 16. MODIFICATION: SEE PART NUMBER CODING

CUSTOMER COPY

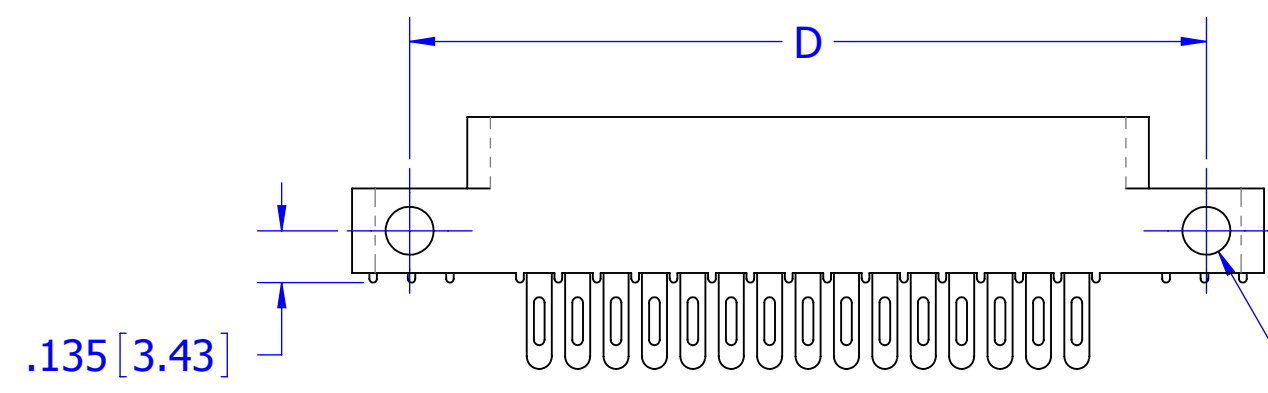
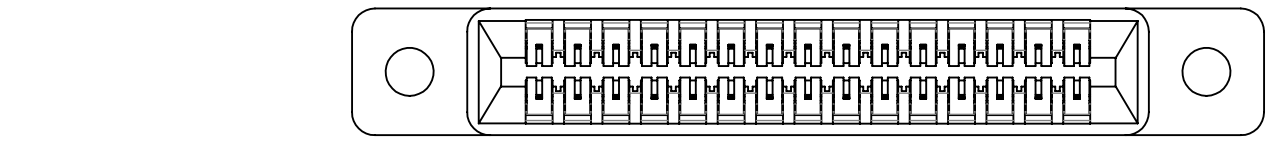


UNLESS OTHERWISE SPECIFIED: DIMENSIONS ARE IN INCHES [MM]		DRAWN	DATE	NAME		
			10/4/2011	JH		
TOLERANCES:					<small>THE INFORMATION HEREIN CONTAINS PROPRIETARY INFORMATION OF SULLINS ELECTRONICS AND IS NOT TO BE REPRODUCED, USED OR DISCLOSED TO OTHERS FOR ANY PURPOSE EXCEPT AS SPECIFICALLY AUTHORIZED IN WRITING BY AN OFFICER OF SULLINS ELECTRONICS.</small>	
ANGULAR: $\pm 1^\circ$					TITLE EDGE CARD, .100 CC LP	
DECIMALS XX = $\pm .02$ [.5] .XXX = $\pm .005$ [.13] .XXXX = $\pm .0005$ [.013]					PART NUMBER __C__DRE_(-S38,-S81,-S328)	
SCALE: 2:1		SIZE C	CAGE CODE 54453	DWG. NO. C10870	REV D	
					SHEET 1 OF 5	

2X #4-40
THREADED
INSERTS

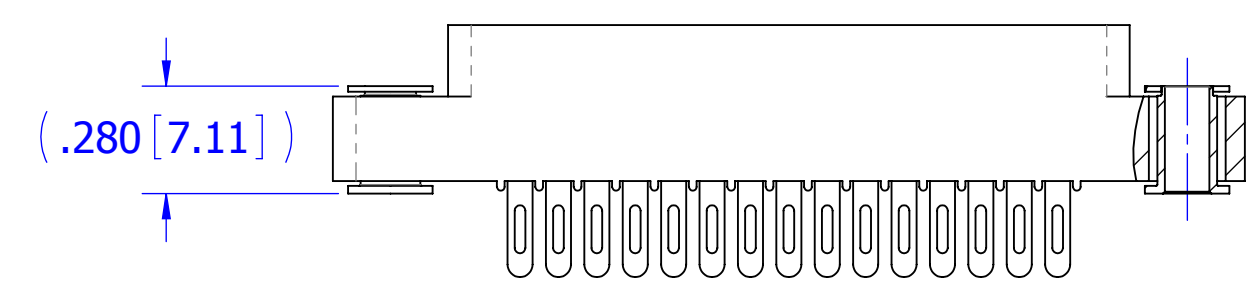
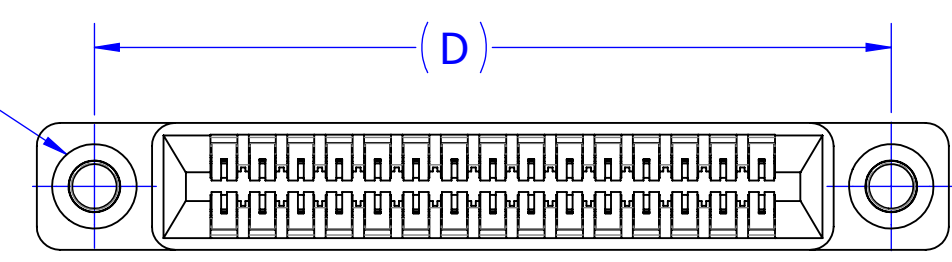


__C_DREI

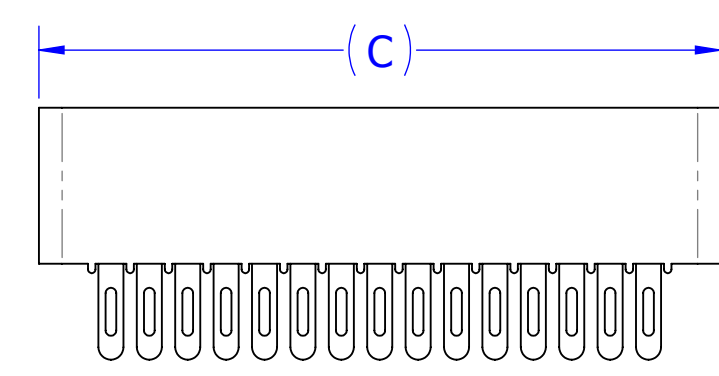
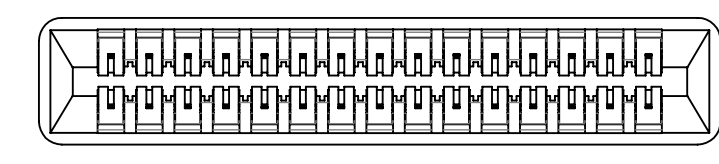


__C_DRES

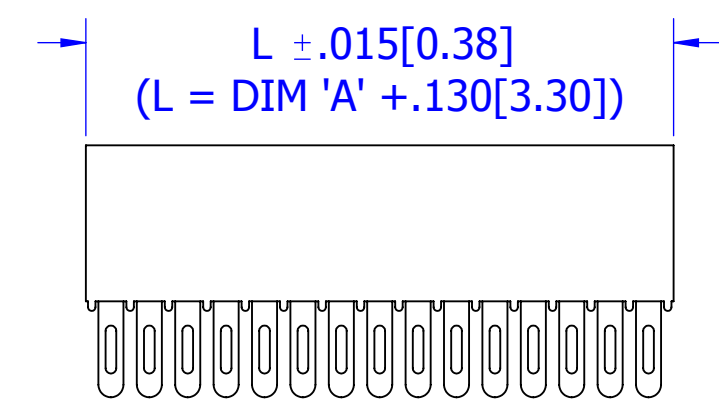
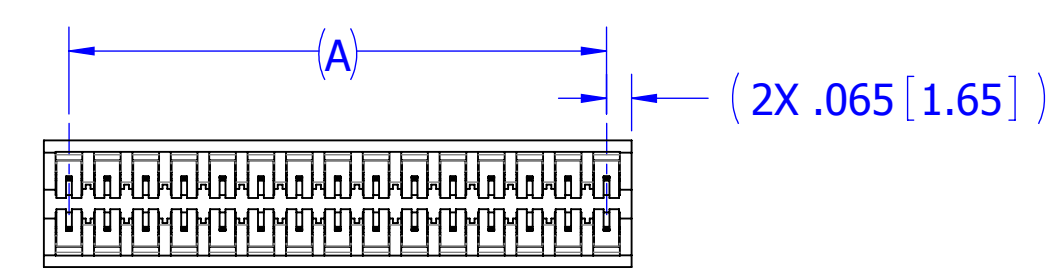
2X FLOATING BOBBIN
Ø .116 [2.95] CLEARANCE
FOR # 4 SCREW



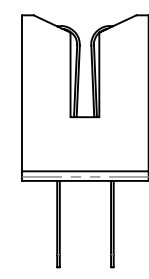
__C_DREF



__C_DREN



__C_DREB

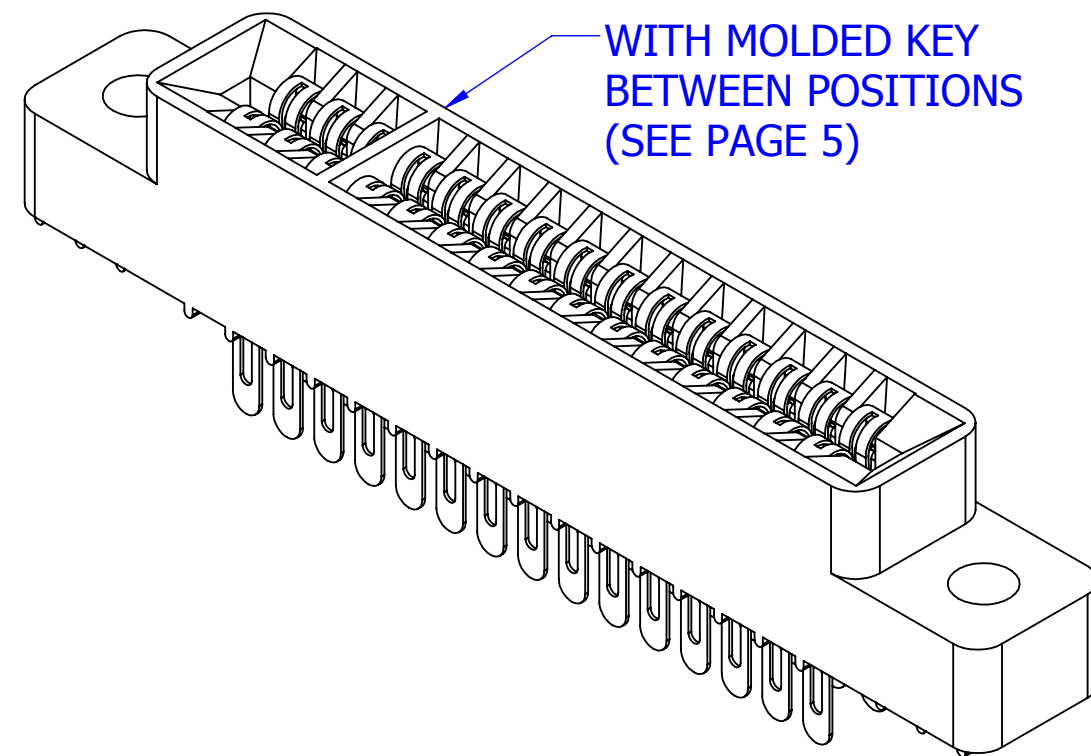
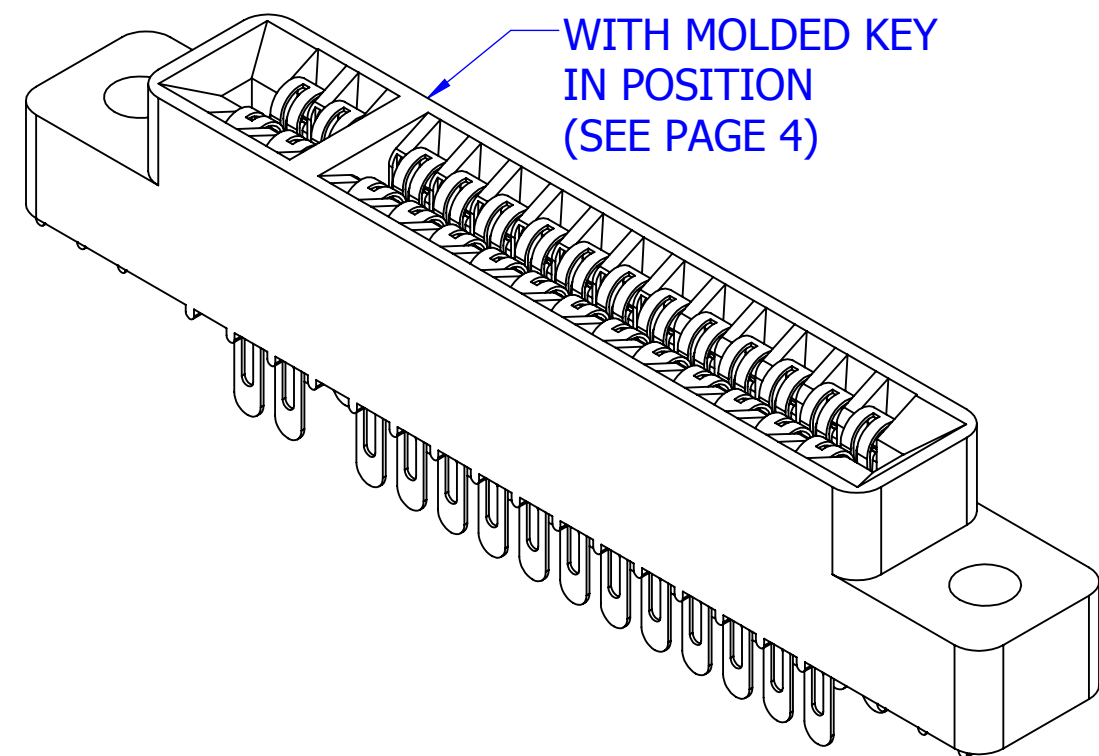
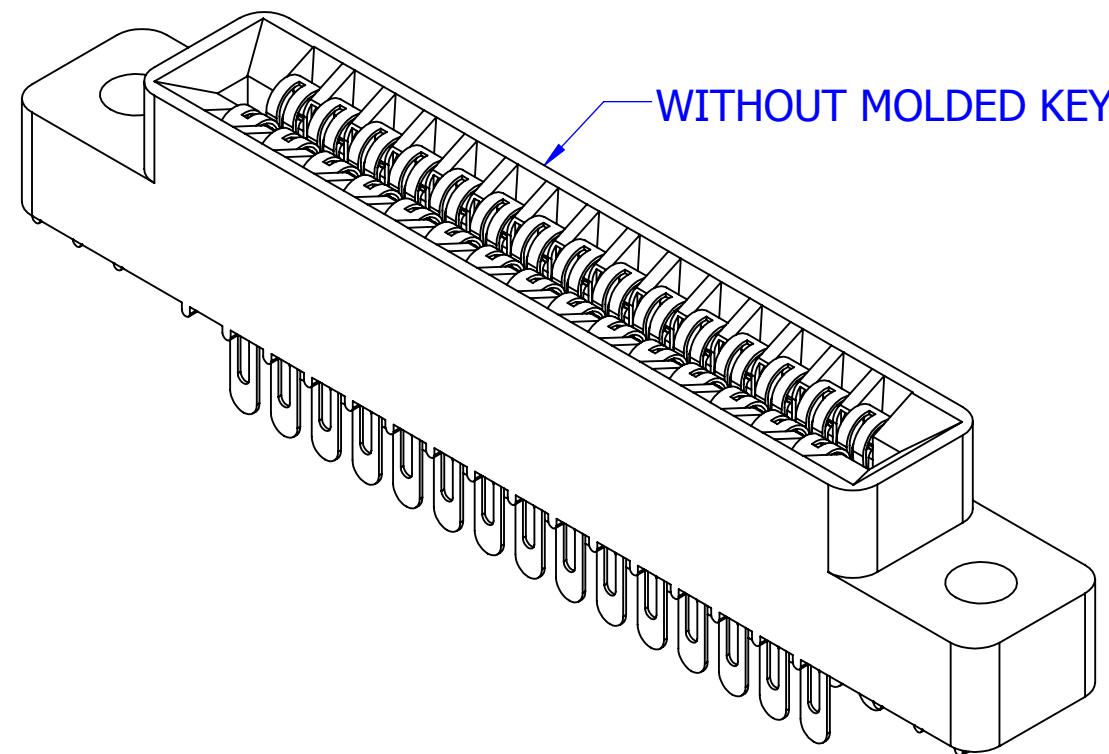


CUSTOMER COPY



UNLESS OTHERWISE SPECIFIED: DIMENSIONS ARE IN INCHES [MM]	DRAWN	DATE	NAME	
		10/4/2011	JH	
TOLERANCES: ANGULAR: ± 1° DECIMALS .XX = ± .02 [.5] .XXX = ± .005 [.13] .XXXX = ± .0005 [.013]	<small>THE INFORMATION HEREIN CONTAINS PROPRIETARY INFORMATION OF SULLINS ELECTRONICS AND IS NOT TO BE REPRODUCED, USED OR DISCLOSED TO OTHERS FOR ANY PURPOSE EXCEPT AS SPECIFICALLY AUTHORIZED IN WRITING BY AN OFFICER OF SULLINS ELECTRONICS.</small>			TITLE
				EDGE CARD, .100 CC LP
PART NUMBER				REV
__C_DRE_(-S38,-S81,-S328)				D
SIZE	CAGE CODE	DWG. NO.		
C	54453	C10870		
SCALE: 2:1			SHEET 2 OF 5	

PART NUMBER	NO. OF POS.	A±.008[0.20]		B±.008[0.20]		C±.015[0.38]		D±.010[0.25]		E±.020[0.51]		F+.005[0.13] -.015[0.38]			
		IN	MM	IN	MM	IN	MM	IN	MM	IN	MM	IN	MM		
C04DRE -S	4	0.300	7.62	0.500	12.70	0.675	17.15	0.975	24.77	1.275	32.39				
C05DRE -S	5	0.400	10.16	0.600	15.24	0.775	19.69	1.075	27.31	1.375	34.93				
C06DRE -S	6	0.500	12.70	0.700	17.78	0.875	22.23	1.175	29.85	1.475	37.47				
C07DRE -S	7	0.600	15.24	0.800	20.32	0.975	24.77	1.275	32.39	1.575	40.01				
C08DRE -S	8	0.700	17.78	0.900	22.86	1.075	27.31	1.375	34.93	1.675	42.55				
C10DRE -S	10	0.900	22.86	1.100	27.94	1.275	32.39	1.575	40.01	1.875	47.63				
C12DRE -S	12	1.100	27.94	1.300	33.02	1.475	37.47	1.775	45.09	2.075	52.71				
C13DRE -S	13	1.200	30.48	1.400	35.56	1.575	40.01	1.875	47.63	2.175	55.25				
C15DRE -S	15	1.400	35.56	1.600	40.64	1.775	45.09	2.075	52.71	2.375	60.33				
C17DRE -S	17	1.600	40.64	1.800	45.72	1.975	50.17	2.275	57.79	2.575	65.41	0.330	8.38		
C18DRE -S	18	1.700	43.18	1.900	48.26	2.075	52.71	2.375	60.33	2.675	67.95				
C19DRE -S	19	1.800	45.72	2.000	50.80	2.175	55.25	2.475	62.87	2.775	70.49				
C20DRE -S	20	1.900	48.26	2.100	53.34	2.275	57.79	2.575	65.41	2.875	73.03				
C22DRE -S	22	2.100	53.34	2.300	58.42	2.475	62.87	2.775	70.49	3.075	78.11				
C23DRE -S	23	2.200	55.88	2.400	60.96	2.575	65.41	2.875	73.03	3.175	80.65				
C25DRE -S	25	2.400	60.96	2.600	66.04	2.775	70.49	3.075	78.11	3.375	85.73				
C26DRE -S	26	2.500	63.50	2.700	68.58	2.875	73.03	3.175	80.65	3.475	88.27				
C28DRE -S	28	2.700	68.58	2.900	73.66	3.075	78.11	3.375	85.73	3.675	93.35				
C30DRE -S	30	2.900	73.66	3.100	78.74	3.275	83.19	3.575	90.81	3.875	98.43				
C31DRE -S	31	3.000	76.20	3.200	81.28	3.375	85.73	3.675	93.35	3.975	100.97				
C35DRE -S	35	3.400	86.36	3.600	91.44	3.775	95.89	4.075	103.51	4.375	111.13				
C36DRE -S	36	3.500	88.90	3.700	93.98	3.875	98.43	4.175	106.05	4.475	113.67				
C38DRE -S	38	3.700	93.98	"B" MOUNTING ONLY											
C40DRE -S	40	3.900	99.06	4.100	104.14	4.275	108.59	4.575	116.21	4.875	123.83				
C43DRE -S	43	4.200	106.68	4.400	111.76	4.575	116.21	4.875	123.83	5.175	131.45	0.400	10.16		
C44DRE -S	44	4.300	109.22	4.500	114.30	4.675	118.75	4.975	126.37	5.275	133.99				
C49DRE -S	49	4.800	121.92	5.000	127.00	5.175	131.45	5.475	139.07	5.775	146.69				
C50DRE -S	50	4.900	124.46	5.100	129.54	5.275	133.99	5.575	141.61	5.875	149.23				
C52DRE -S	52	5.100	129.54	5.300	134.62	5.475	139.07	5.775	146.69	6.075	154.31				
C60DRE -S	60	5.900	149.86	6.100	154.94	6.275	159.39	6.575	167.01	6.875	174.63				
C65DRE -S	65	6.400	162.56	6.600	167.64	6.775	172.09	7.075	179.71	7.375	187.33				



PART NUMBER CODING

MATERIAL (INSULATOR/CONTACT)

E = BLUE PBT/PHOSPHOR BRONZE
OPERATING TEMP: -65°C TO +125°C
PROCESSING TEMP: WAVE/MANUAL SOLDERING ONLY

R = GREEN PPS/PHOSPHOR BRONZE
OPERATING TEMP: -65°C TO +125°C
PROCESSING TEMP: 260°C MAX FOR 20 SECONDS

G = BLACK PA9T/PHOSPHOR BRONZE
OPERATING TEMP: -65°C TO +125°C
PROCESSING TEMP: 260°C MAX FOR 20 SECONDS

H = BLUE PBT/BERYLLIUM COPPER
OPERATING TEMP: -65°C TO +125°C
PROCESSING TEMP: WAVE/MANUAL SOLDERING ONLY

A = GREEN PPS/BERYLLIUM COPPER
OPERATING TEMP: -65°C TO +150°C
PROCESSING TEMP: 260°C MAX FOR 20 SECONDS

J = BLACK PA9T/BERYLLIUM COPPER
OPERATING TEMP: -65°C TO +150°C
PROCESSING TEMP: 260°C MAX FOR 20 SECONDS

F = GREEN PPS/SPINODAL (CONSULT FACTORY)
OPERATING TEMP: -65°C TO +200°C
AVAILABLE IN OVERALL GOLD ONLY (S OR M PLATING CODE)
PROCESSING TEMP: 260°C MAX FOR 20 SECONDS
(CONSULT FACTORY FOR SPECIAL SOLDERING REQUIREMENTS)

C = GREEN PPS/BERYLLIUM NICKEL (CONSULT FACTORY)
AVAILABLE IN OVERALL GOLD ONLY (S OR M PLATING CODE)
OPERATING TEMP: -65°C TO +200°C
PROCESSING TEMP: 260°C MAX FOR 20 SECONDS

W = TAN PEEK/BERYLLIUM NICKEL (CONSULT FACTORY)
AVAILABLE IN OVERALL GOLD ONLY (M PLATING CODE)
OPERATING TEMP: -65°C TO +250°C

MODIFICATION

OMIT = STANDARD WITHOUT MOLDED KEY, EX: 'EBC22DREH'
S38 = BLACK PBT WITHOUT MOLDED KEY (MATERIAL CODES E & H ONLY)
S81 = GREEN PBT WITHOUT MOLDED KEY (MATERIAL CODES E & H ONLY)
S328 = BROWN PPS WITHOUT MOLDED KEY (MATERIAL CODES A, R, F, AND C ONLY)
OTHER S# FOR PARTS WITH MOLDED KEY FOR DEFAULT MATERIAL
SEE PAGE 4 FOR LOCATION OF KEY IN POSITION
SEE PAGE 5 FOR LOCATION OF KEY BETWEEN POSITIONS

MOUNTING STYLE

H = .125" DIA. CLEARANCE HOLES
I = #4-40 THREADED INSERT
S = .125" DIA. SIDE MOUNTING
N = NO MOUNTING EARS
F = FLOATING BOBBIN
B = OPEN CARDSLOT

NUMBER OF POSITIONS (CONTACTS PER ROW)

PLATING

ALL PLATINGS HAVE .000050" NICKEL UNDERPLATE

CONTACT SURFACE	TERMINATION
B = .000010" GOLD	.000100" PURE TIN, MATTE
C = .000030" GOLD	.000100" PURE TIN, MATTE
G = .000010" GOLD	.000005" GOLD
Y = .000030" GOLD	.000005" GOLD
*E = .000100" PURE TIN, MATTE	OVERALL
S = .000010" GOLD OVERALL	
M = .000030" GOLD	.000010" GOLD OVERALL

*OVERALL TIN ONLY AVAILABLE ON MATERIAL CODES E, R, AND G

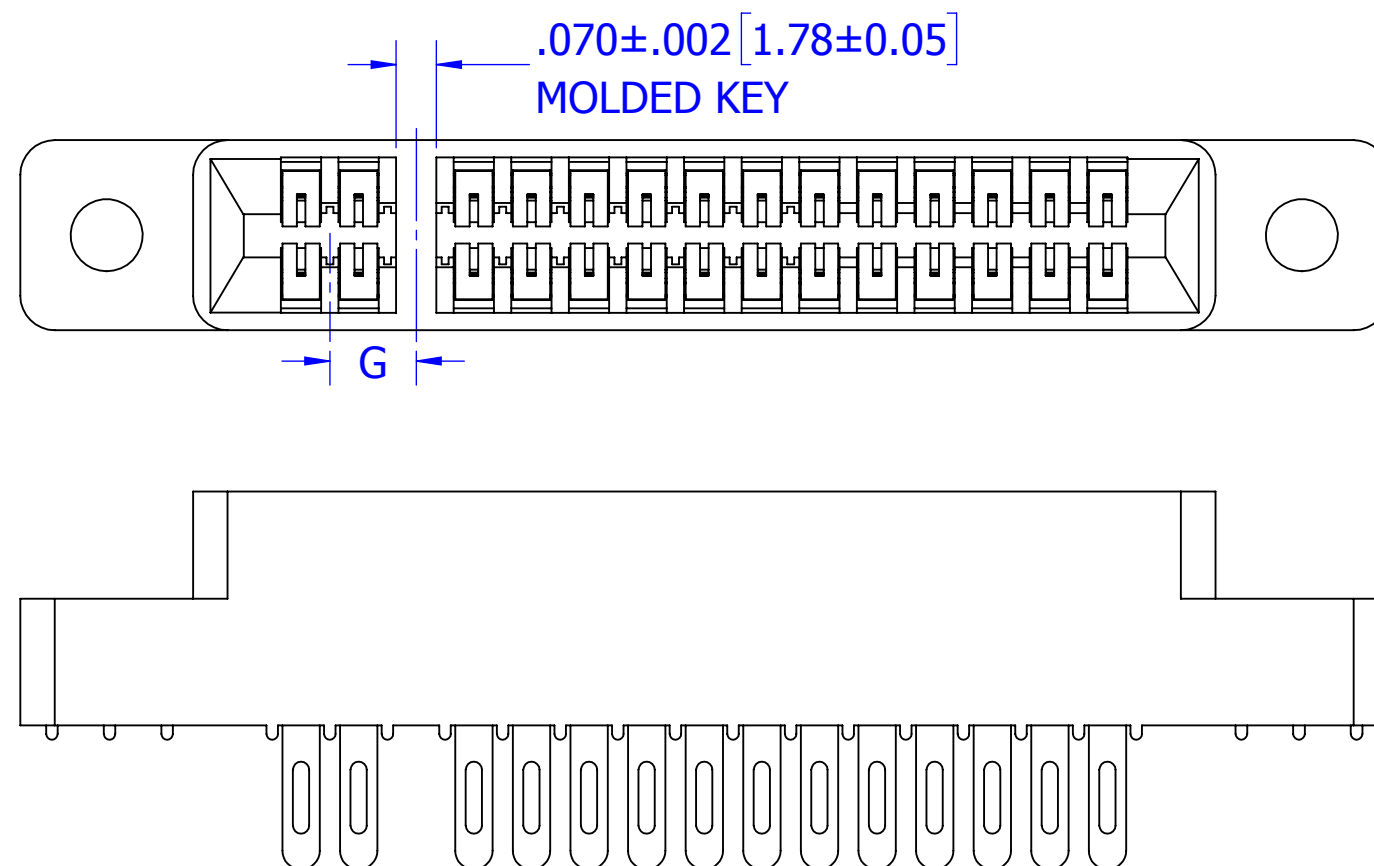


CUSTOMER COPY

UNLESS OTHERWISE SPECIFIED: DIMENSIONS ARE IN INCHES [MM]	DRAWN	DATE	NAME	
		10/4/2011	JH	
TOLERANCES: ANGULAR: ± 1° DECIMALS .XX=± .02 [.5] .XXX=± .005 [.13] .XXXX=± .0005 [.013]	<small>THE INFORMATION HEREIN CONTAINS PROPRIETARY INFORMATION OF SULLINS ELECTRONICS AND IS NOT TO BE REPRODUCED, USED OR DISCLOSED TO OTHERS FOR ANY PURPOSE EXCEPT AS SPECIFICALLY AUTHORIZED IN WRITING BY AN OFFICER OF SULLINS ELECTRONICS.</small>			TITLE
				EDGECARD, .100 CC LP
PART NUMBER				REV
C _C_ DRE_(-S38,-S81,-S328)				D
SIZE	CAGE CODE	DWG. NO.		
C	54453	C10870		
SCALE: 3:1			SHEET 3 OF 5	

STANDARD LOCATION TABLE FOR KEY IN POSITION***

MOLDED KEY IN POSITION	G±.008[0.20]		MODIFICATION NUMBER (S#)	
	INCH	MM	DEFAULT MATERIAL & COLOR	BROWN PPS (MTL CODE R, A, F, OR C ONLY)
01	N/A	N/A	S2416	
02	0.100	2.54	S2001	
03	0.200	5.08	S1732	
04	0.300	7.62	S1769	
05	0.400	10.16	S2067	S1871
06	0.500	12.70	S1442	
07	0.600	15.24	S1632	
08	0.700	17.78	S1180	S1151
09	0.800	20.32	S1172	
10	0.900	22.86	S1599	
11	1.000	25.40		
12	1.100	27.94	S1810	S1500
13	1.200	30.48	S1114	
14	1.300	33.02	S2425	S1013
15	1.400	35.56	S1036	
16	1.500	38.10	S2174	
17	1.600	40.64	S1812	
18	1.700	43.18		
19	1.800	45.72		
20	1.900	48.26	S1293	
21	2.000	50.80	S1221	
22	2.100	53.34	S1808	
23	2.200	55.88		
24	2.300	58.42	S1788	
25	2.400	60.96	S2068	
26	2.500	63.50		
27	2.600	66.04		
28	2.700	68.58	S1242	
29	2.800	71.12		
30	2.900	73.66		
31	3.000	76.20		
32	3.100	78.74		
33	3.200	81.28		
34	3.300	83.82		
35	3.400	86.36		
36	3.500	88.90		
37	3.600	91.44		
38	3.700	93.98	S1306	
39	3.800	96.52		
40	3.900	99.06		
41	4.000	101.60	S1546	
42	4.100	104.14	S1405	
43	4.200	106.68		
44	4.300	109.22		
45	4.400	111.76		
46	4.500	114.30		S1809
47	4.600	116.84		
48	4.700	119.38		
49	4.800	121.92		
50	4.900	124.46	S1561	
51	5.000	127.00	S1376	
52	5.100	129.54	S2247	
53	5.200	132.08		
54	5.300	134.62		
55	5.400	137.16		
56	5.500	139.70		
57	5.600	142.24		
58	5.700	144.78	S346	
59	5.800	147.32		
60	5.900	149.86		
61	6.000	152.40		
62	6.100	154.94		
63	6.200	157.48		
64	6.300	160.02		
65	6.400	162.56		
LAST POSITION			S1192	



('H' MOUNTING AS SHOWN FOR EXAMPLE)

***CONNECTOR TOTAL POSITIONS MUST BE AT LEAST ONE POSITION LONGER THAN KEY LOCATION, USE S1192 FOR CONNECTORS WITH KEY IN LAST POSITION (EX: __C05DREH-S1192 IS FOR 5-POSITION CONNECTOR WITH MOLDED KEY IN POSITION 5)

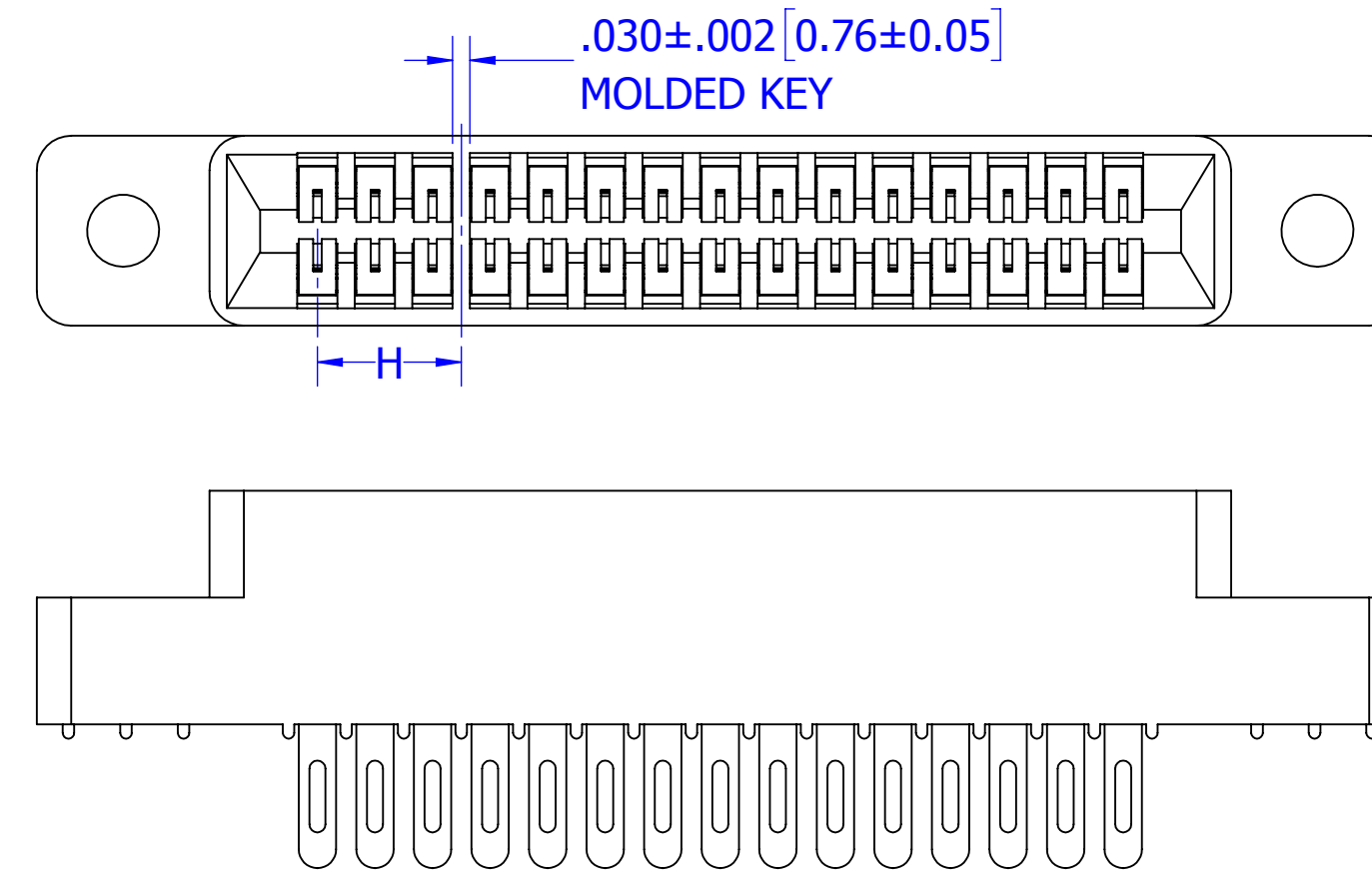
CUSTOMER COPY



UNLESS OTHERWISE SPECIFIED: DIMENSIONS ARE IN INCHES [MM]	DRAWN	DATE	NAME	
		10/4/2011	JH	
TOLERANCES: ANGULAR: ± 1° DECIMALS .XX=± .02 [.5] .XXX=± .005 [1.3] .XXXX=± .0005 [.013]	<small>THE INFORMATION HEREIN CONTAINS PROPRIETARY INFORMATION OF SULLINS ELECTRONICS AND IS NOT TO BE REPRODUCED, USED OR DISCLOSED TO OTHERS FOR ANY PURPOSE EXCEPT AS SPECIFICALLY AUTHORIZED IN WRITING BY AN OFFICER OF SULLINS ELECTRONICS.</small>			TITLE EDGECARD, .100 CC LP, KEY IN POSITION
	PART NUMBER __C__DRE__S__			SIZE C
SCALE : 3:1		CAGE CODE 54453	DWG. NO. C10870	REV D
				SHEET 4 OF 5

STANDARD LOCATION TABLE FOR KEY BETWEEN POSITIONS***

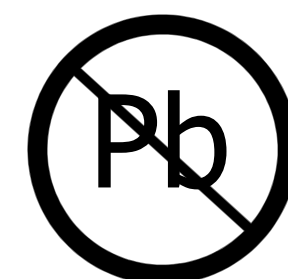
MOLDED KEY BETWEEN POSITIONS	H±.008[±0.20]		MODIFICATION NUMBER (S#) FOR DEFAULT MATERIAL COLOR WITH KEY BETWEEN POSITIONS ONLY
	INCH	MM	
1 & 2	0.050	1.27	S1061
2 & 3	0.150	3.81	S688
3 & 4	0.250	6.35	S715
4 & 5	0.350	8.89	S797
5 & 6	0.450	11.43	S1032
6 & 7	0.550	13.97	S2379
7 & 8	0.650	16.51	S2038
8 & 9	0.750	19.05	
9 & 10	0.850	21.59	
10 & 11	0.950	24.13	S1245
11 & 12	1.050	26.67	
12 & 13	1.150	29.21	
13 & 14	1.250	31.75	
14 & 15	1.350	34.29	
15 & 16	1.450	36.83	
16 & 17	1.550	39.37	
17 & 18	1.650	41.91	S879
18 & 19	1.750	44.45	S2386
19 & 20	1.850	46.99	S2379
20 & 21	1.950	49.53	S807
21 & 22	2.050	52.07	
22 & 23	2.150	54.61	
23 & 24	2.250	57.15	
24 & 25	2.350	59.69	
25 & 26	2.450	62.23	S1105
26 & 27	2.550	64.77	
27 & 28	2.650	67.31	S1073
28 & 28	2.750	69.85	
29 & 30	2.850	72.39	
30 & 31	2.950	74.93	S1688
31 & 32	3.050	77.47	
32 & 33	3.150	80.01	S1440
33 & 34	3.250	82.55	
34 & 35	3.350	85.09	S1215
35 & 36	3.450	87.63	S948
36 & 37	3.550	90.17	
37 & 38	3.650	92.71	
38 & 39	3.750	95.25	
39 & 40	3.850	97.79	
40 & 41	3.950	100.33	S947
41 & 42	4.050	102.87	S811
42 & 43	4.150	105.41	
43 & 44	4.250	107.95	
44 & 45	4.350	110.49	
45 & 46	4.450	113.03	S946
46 & 47	4.550	115.57	
47 & 48	4.650	118.11	
48 & 49	4.750	120.65	S808
49 & 50	4.850	123.19	
50 & 51	4.950	125.73	
51 & 52	5.050	128.27	
52 & 53	5.150	130.81	
53 & 54	5.250	133.35	
54 & 55	5.350	135.89	
55 & 56	5.450	138.43	
56 & 57	5.550	140.97	
57 & 58	5.650	143.51	
58 & 59	5.750	146.05	
59 & 60	5.850	148.59	



('H' MOUNTING AS SHOWN FOR EXAMPLE)

***CONNECTOR TOTAL POSITIONS MUST BE AT LEAST ONE POSITION LONGER THAN KEY LOCATION

CUSTOMER COPY



RoHS COMPLIANT

UNLESS OTHERWISE SPECIFIED: DIMENSIONS ARE IN INCHES [MM]		DRAWN	DATE	NAME	
			10/4/2011	JH	
TOLERANCES:		<small>THE INFORMATION HEREIN CONTAINS PROPRIETARY INFORMATION OF SULLINS ELECTRONICS AND IS NOT TO BE REPRODUCED, USED OR DISCLOSED TO OTHERS FOR ANY PURPOSE EXCEPT AS SPECIFICALLY AUTHORIZED IN WRITING BY AN OFFICER OF SULLINS ELECTRONICS.</small>			
ANGULAR: ± 1°		TITLE EDGE CARD, .100 CC LP, KEY BETWEEN POSITIONS			
DECIMALS		PART NUMBER			
.XX=± .02 [.5]		_C_DRE_-S_			
.XXX=± .005 [.13]		SIZE	CAGE CODE	DWG. NO.	REV
.XXXX=± .0005 [.013]		C	54453	C10870	D
		SCALE: 3:1		SHEET 5 OF 5	