

NOTES:

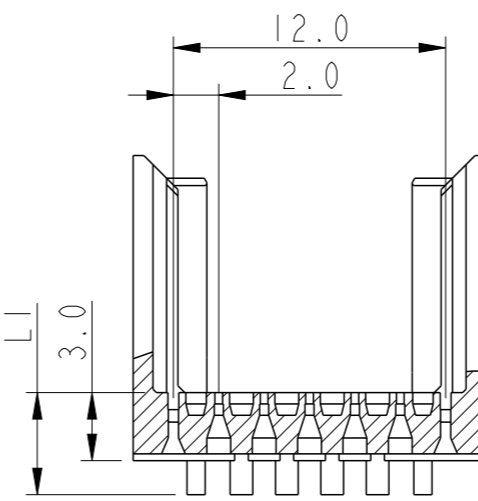
- 1, MEASURED AT THE BOTTOM
- 2, MATERIAL : GLASS REINFORCED POLYESTER UL94-V0
- 3, THE PRODUCT (LF) MEETS EUROPEAN UNION DIRECTIVES AND OTHER COUNTRY REGULATIONS AS DESCRIBED IN GS-22-008
- 4, PARTS WITH AND WITHOUT SUFFIX LF TO THE PRODUCT PART NUMBER ARE IDENTICAL IN FORM , FIT AND FUNCTION LF SUFFIX IS ADDED TO THE PART NUMBER OF THIS PRODUCT TO HAVE UNIFORM IDENTIFICATION OF ALL RoHS COMPATIBLE PRODUCTS

RoHS COMPATIBLE (DIGIT 11 & 12)

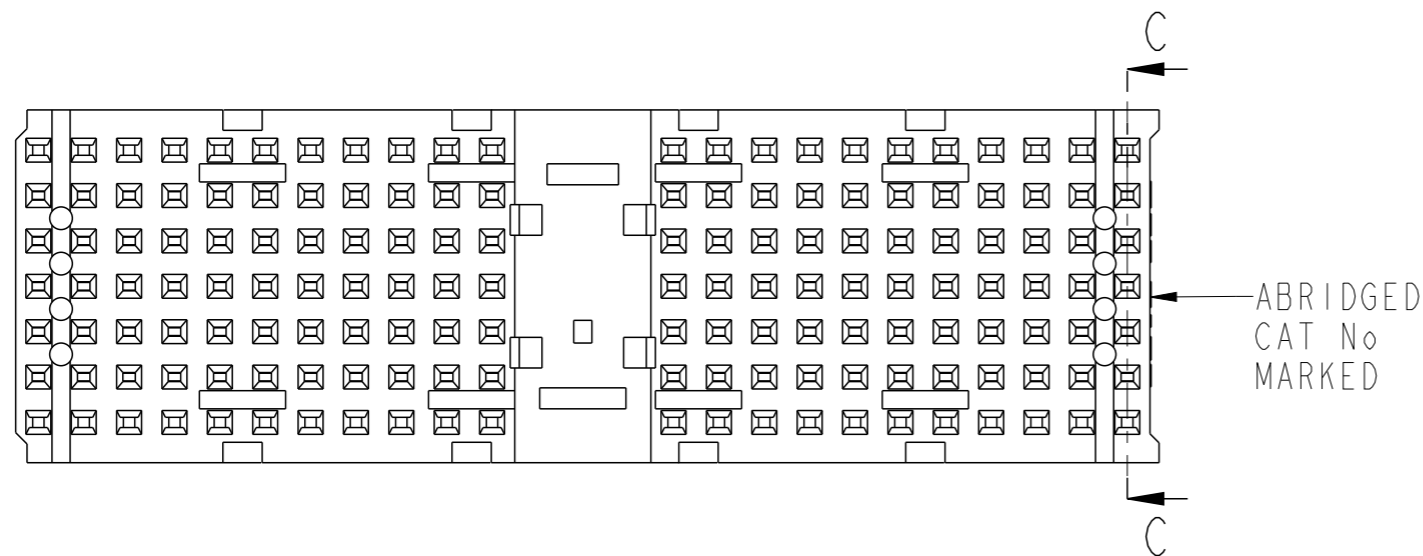
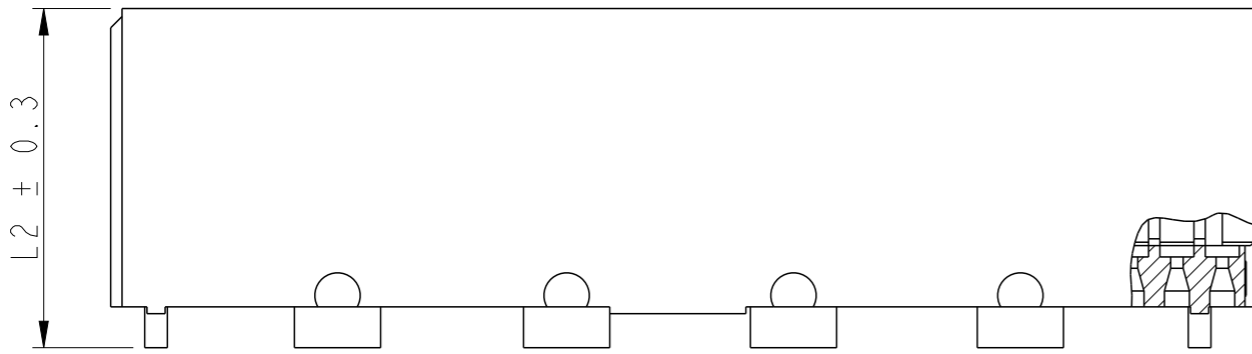
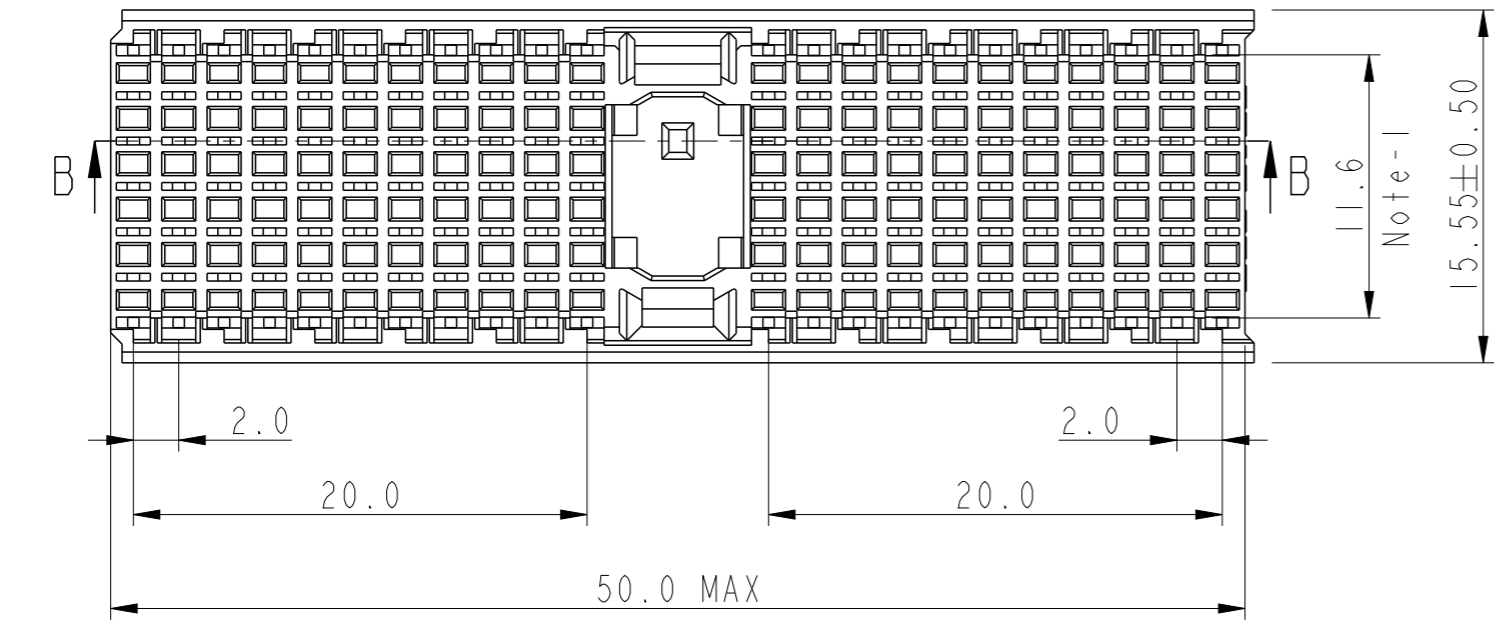
HM2H07PI--LF

STANDOFF HEIGHT INDICATOR

CAT. NO.	L1	L2	
HM2H07PI1LF	3.0	13.45	AVAILABLE
HM2H07PI09LF	3.9	14.35	AVAILABLE
HM2H07PI11LF	4.1	14.55	AVAILABLE
HM2H07PI13LF	4.3	14.75	AVAILABLE
HM2H07PI15LF	4.5	14.95	AVAILABLE
HM2H07PI17LF	4.7	15.15	AVAILABLE
HM2H07PI19LF	4.9	15.35	AVAILABLE
HM2H07PI22LF	5.2	15.65	AVAILABLE
HM2H07PI30LF	6.0	16.45	AVAILABLE
HM2H07PI48LF	7.8	18.25	AVAILABLE



SECTION C-C



Copyright FCI.

rev	ecn no	dr	date
A	Conv Rev 09	KN	2001-09-14
B	104-0088	AB	2004-09-23
C	105-0241	AB	2005-11-21
D	106-0096	AB	2006-07-04
E	107-0054	AB	2008-12-16
-	-	-	-
-	-	-	-

www.fciconnect.com		surface - ✓ ISO 1302	tolerance std ISO 406 ISO 1101	projection mm
TOLERANCES UNLESS OTHERWISE SPECIFIED				
Dr	Alex Babu	2008-12-16	ANGULAR	LINEAR
Eng	Alex Babu	2008-12-16	0° ±1°	0.X ±0.2 0.XX ±0.1
Chr	Alex Babu	2008-12-16	size A3	
Appr	Biju K Paul	2008-12-16	ECN 107-0054	
Product family			MILLIPACS	Spec ref -
FCI		MILLIPACS 5+2 ROW SHROUD		Rev. E
Type-A (25 Pos)		BSC201630027		
catalog no		HM2H07PI--LF	CUSTOMER	sheet 1 of 1