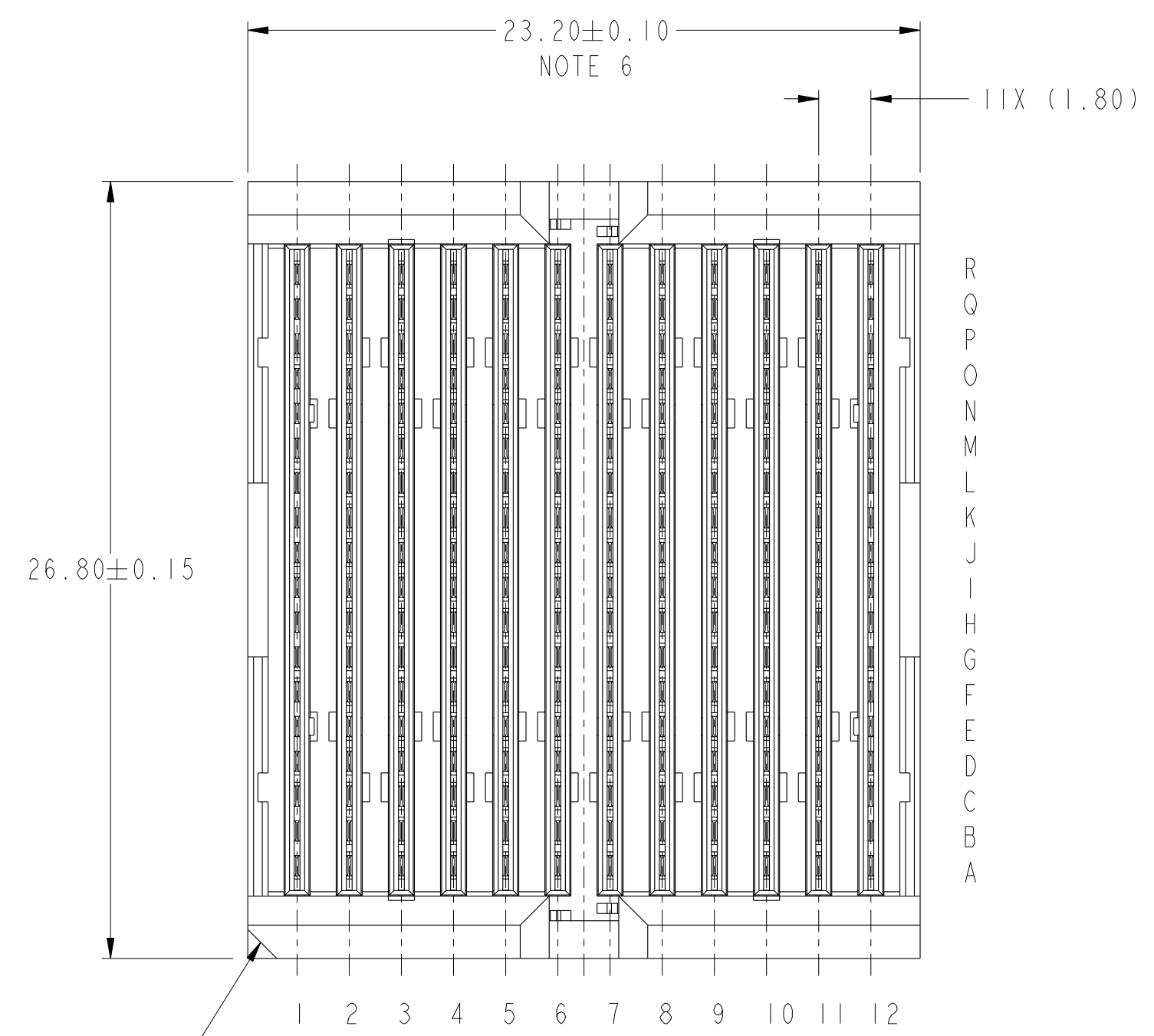
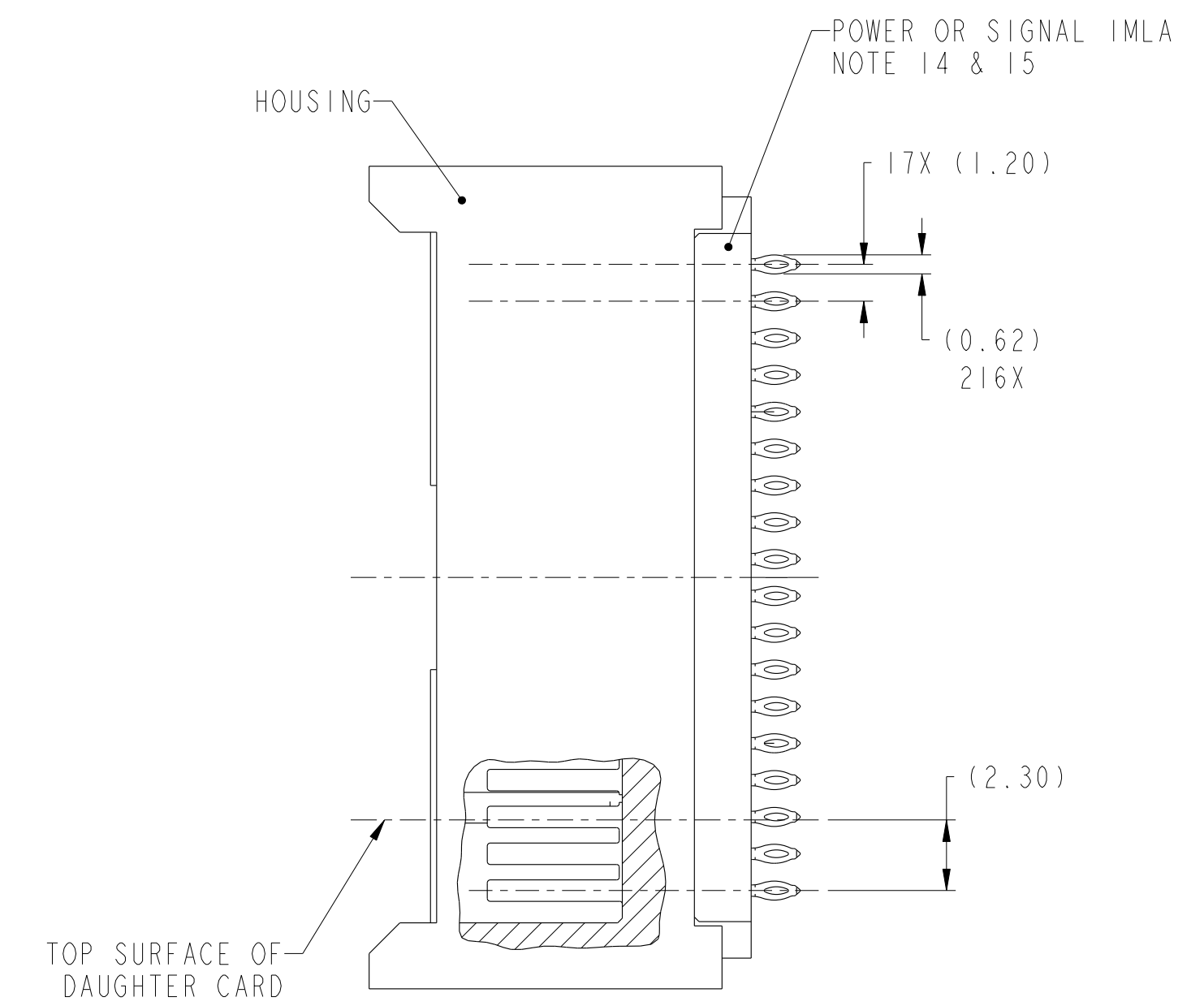
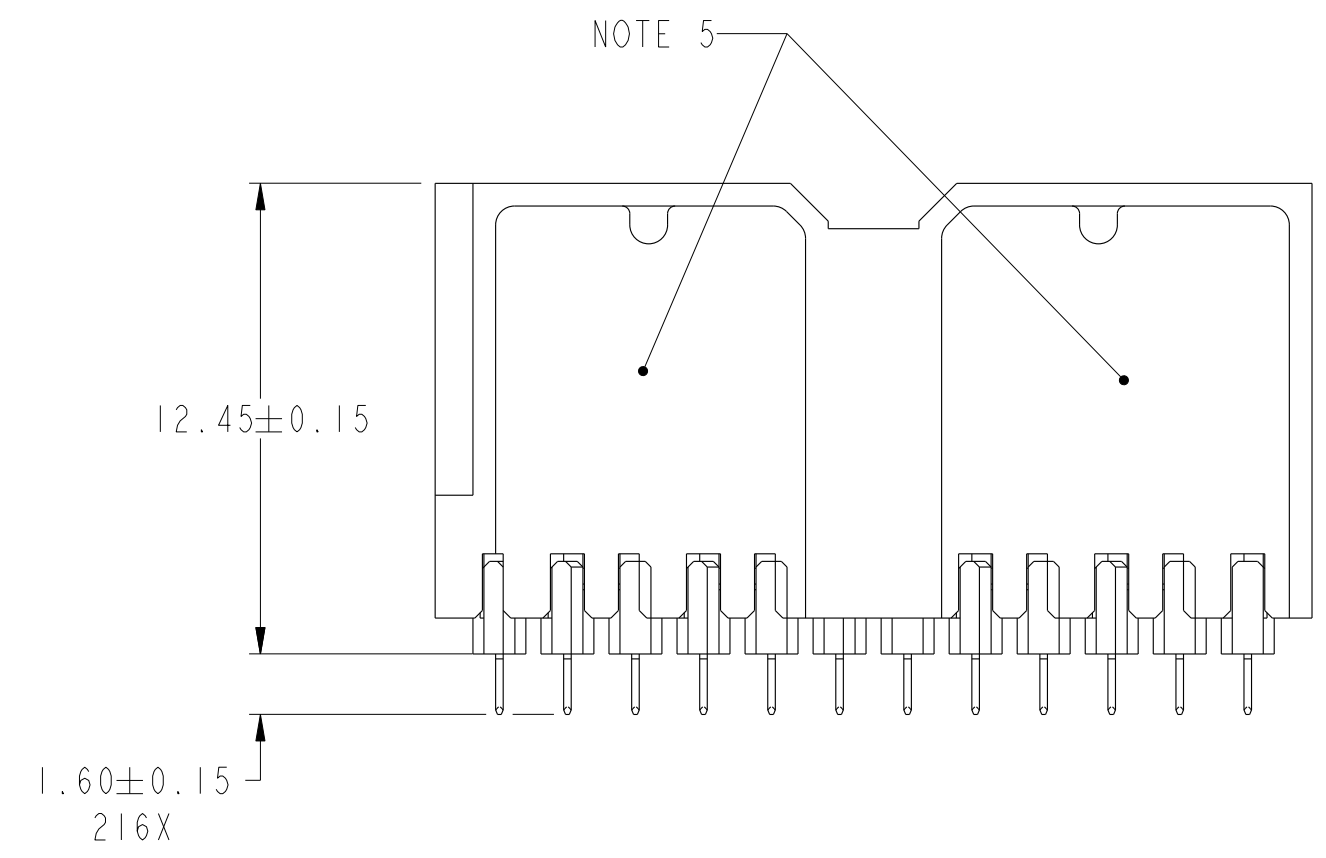


Product number  
SEE TABLE, SHT 3



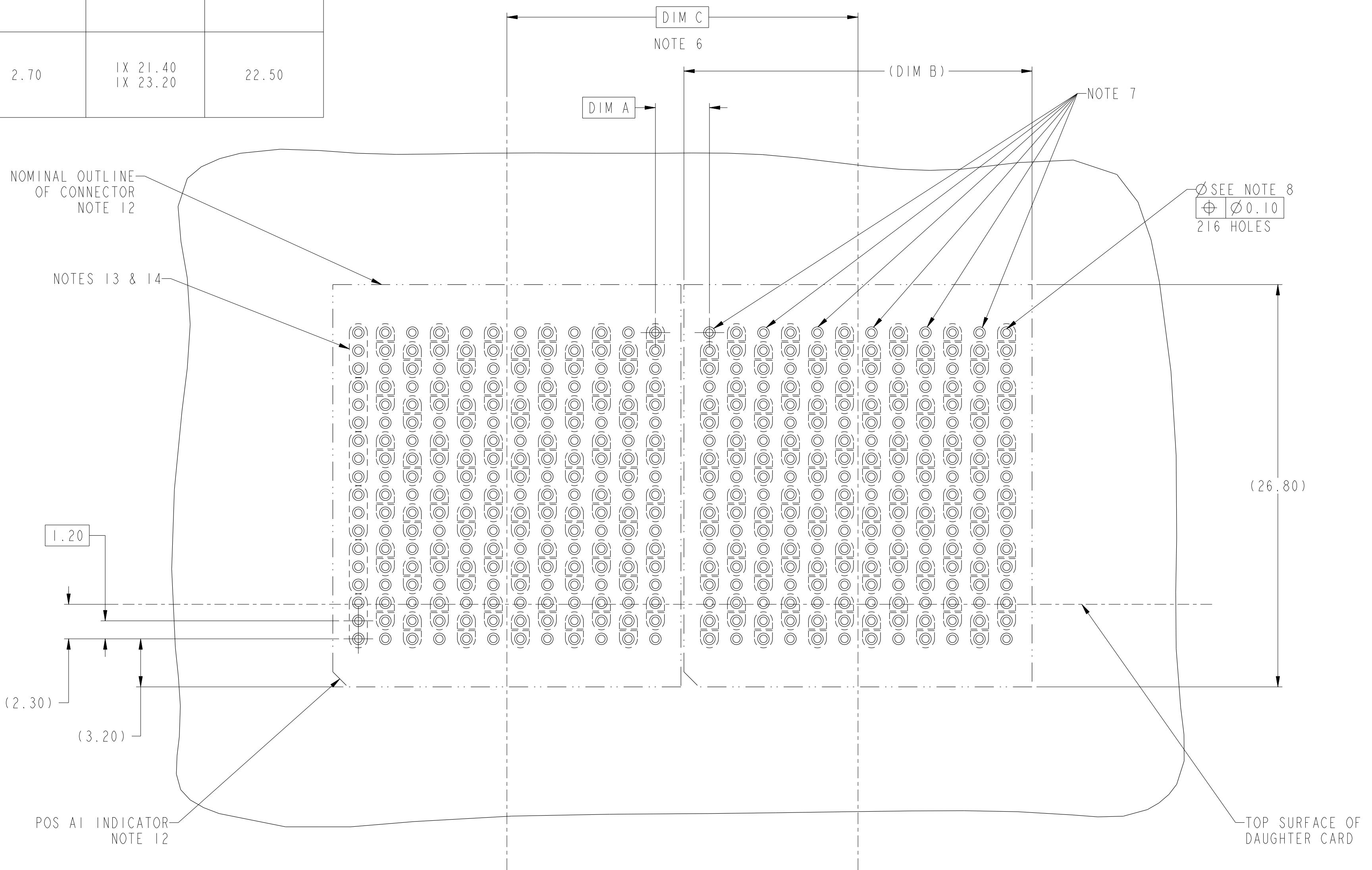
POS A1 INDICATOR  
NOTE 12



Copyright FCI.  
**FCI**

spec ref	dr	Y. K. LIM	2010-10-13	projection	MM	size	A2	scale	5:1
tolerance std	eng	Y. K. LIM	2010-10-13			ecn no	rel level	RELEASED	rev
ASME Y14.5	chr	Y. K. LIM	2010-10-13						
	appr	JOEY NG	2010-10-13						
TOLERANCES UNLESS OTHERWISE SPECIFIED		product family		ZipLine		rel level		RELEASED	
surface	linear	0.X	$\pm 0.3$	title		dwg no		10116138	
		0.XX	$\pm 0.10$	ZipLine VERT HEADER ASSY, PWR		rev		A	
		0.XXX	$\pm 0.050$	6 PR, 12 IMLA, 1.8mm PITCH, 23.4mm		sheet 1 of 3			
ASME Y14.5	angular	0°	$\pm 2^\circ$	www.fci.com cat. no.		Product - Customer Drw		sheet 1 of 3	

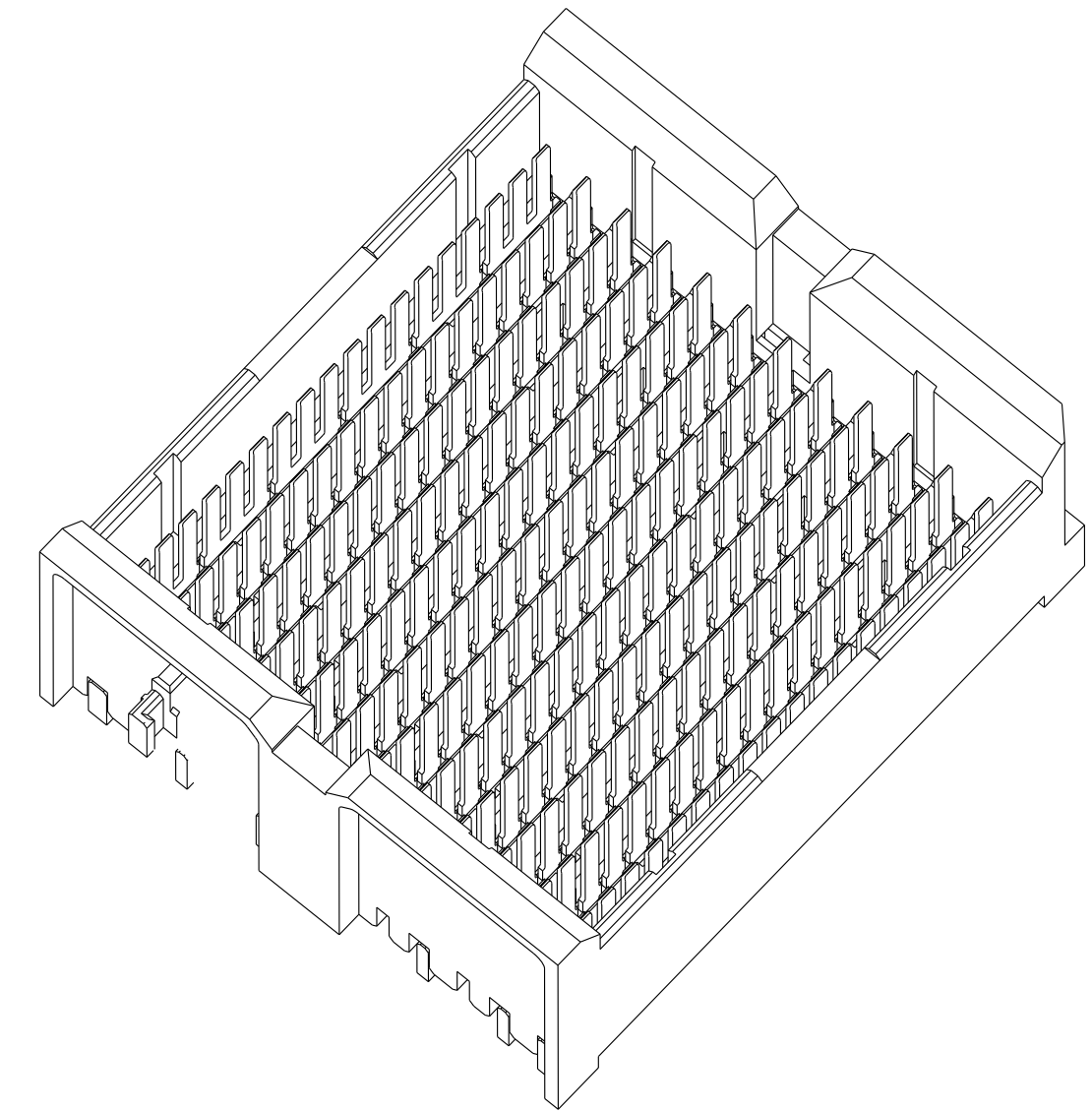
DESCRIPTION	DIM A	DIM B	DIM C
2-23.40MM MODULES PLACED END-TO-END	3.60	2X 23.20	23.40
1-21.60MM MODULE & 1-23.40MM MODULE PLACED END-TO-END	2.70	1X 21.40 1X 23.20	22.50



Copyright FCI.

spec ref	dr	Y. K. LIM	2010-10-13	projection	MM	size	A2	scale	5:1
tolerance std	eng	Y. K. LIM	2010-10-13			ecn no	rel level	RELEASED	rev
ASME Y14.5	chr	Y. K. LIM	2010-10-13						
	appr	JOEY NG	2010-10-13						
TOLERANCES UNLESS OTHERWISE SPECIFIED				product family		10116138		6 PR, 12 IMLA, 1.8mm PITCH, 23.4mm	
surface	linear	0.X	±0.3	www.fci.com		cat. no.		Product - Customer Drw	
		0.XX	±0.10					sheet 2 of 3	
		0.XXX	±0.050						
ASME Y14.5	angular	0°	±2°						

PRODUCT NUMBER	PRESS-FIT TAIL PLATING TYPE	POWER (P) OR SIGNAL (S) BY COLUMN NUMBER (SEE NOTE 14)											
		1	2	3	4	5	6	7	8	9	10	11	12
10116138-105	TIN LEAD ALLOY OVER NICKEL	P	S	S	S	S	S	S	S	S	S	S	P
10116138-105LF	TIN OVER NICKEL (LEAD FREE)	P	S	S	S	S	S	S	S	S	S	S	P



10116138-105 & -105LF

NOTES:

- CONNECTOR MATERIALS:  
HOUSING: HIGH TEMP THERMOPLASTIC, BLACK, UL94V-0  
IMLA PLASTIC: HIGH TEMP THERMOPLASTIC, BLACK, UL94V-0  
CONTACT: COPPER ALLOY
- CONTACT PLATING:  
SEPARABLE INTERFACE: PERFORMANCE-BASED PLATING, QUALIFIED TO MEET THE REQUIREMENTS OF FCI PRODUCT SPECIFICATION GS-12-452 INCLUDING TELCORDIA GR-1217-CORE (NOVEMBER 1995) CENTRAL OFFICE TEST SEQUENCE  
PRESS-FIT TAILS: SEE TABLE
- PRODUCT SPECIFICATION: GS-12-452.
- APPLICATION SPECIFICATION: GS-20-094.
- PRODUCT MARKING, (PART NUMBER & LOT CODE), ON THESE SURFACES.
- DIM "C" ON SHEET 2, PROVIDES THE MINIMUM CENTERLINE SPACING BETWEEN ADJACENT MODULES.
- THERE IS NO GROUND BUSSING WITHIN THE HEADER CONNECTOR. HOWEVER, POSITIONS R1, R3, R5, R7, R9, & R11 OF THE MATING RECEPTACLE ARE BUSSED. THESE MUST BE ASSIGNED AS GROUNDS.
- REFER TO CUSTOMER DRAWING 10045979 FOR INFORMATION ON PCB HOLE DIAMETERS AND PLATING OPTIONS.
- THIS PRODUCT MEETS EUROPEAN UNION DIRECTIVES AND OTHER COUNTRY REGULATIONS AS DESCRIBED IN GS-22-008.
- THE HOUSING WILL WITHSTAND EXPOSURE TO 260°C PEAK TEMPERATURE FOR 40 SECONDS IN A CONVECTION, INFRA-RED OR VAPOR PHASE REFLOW OVEN.
- PACKAGING MEETS GS-14-920 LEAD FREE LABELING SPECIFICATION.
- CONNECTOR OUTLINE WITH HOUSING POS A1 INDICATOR MAY BE SCREEN PRINTED ONTO CUSTOMER PCB TO BE USED AS A GUIDE FOR MANUAL CONNECTOR PLACEMENT.
- WITHIN ANY POWER COLUMN, EACH 3 OF THE 18 CONTACT POSITIONS ARE COMMONED TO FORM 6 POWER CONTACTS. PCB LAYOUT SHOWS ONE CONFIGURATION OF COMMONED VIAS MAKING UP THE 6 INDIVIDUAL POWER POSITIONS. ADDITIONAL CUSTOMER-DEFINED PCB LAYOUTS WILL ALLOW ANYWHERE FROM ONE TO SIX POWER LINES WITHIN A COLUMN.
- PRODUCT CAN BE CONFIGURED WITH POWER IN ANY COLUMN OR MULTIPLE COLUMNS.
- PLASTIC FOR POWER COLUMNS IS WHITE. PLASTIC FOR SIGNAL COLUMNS IS BLACK. SEE PART NUMBER TABLE FOR APPLICABLE POWER (P) AND SIGNAL (S) COLUMN LOADING POSITIONS.

spec ref	dr	Y. K. LIM	2010-10-13	projection	MM	size	A2	scale	1:1
tolerance std	eng	Y. K. LIM	2010-10-13			ecn no	rel level	RELEASED	rev
ASME Y14.5	chr	Y. K. LIM	2010-10-13						
-	appr	JOEY NG	2010-10-13						
surface	linear	0.X	±0.3			<b>ZipLine VERT HEADER ASSY, PWR</b>		10116138	A
ASME Y14.5	angular	0.XXX	±0.10	www.fci.com		6 PR, 12 IMLA, 1.8mm PITCH, 23.4mm		cat. no.	Product - Customer Drw
			±0.050					sheet 3 of 3	