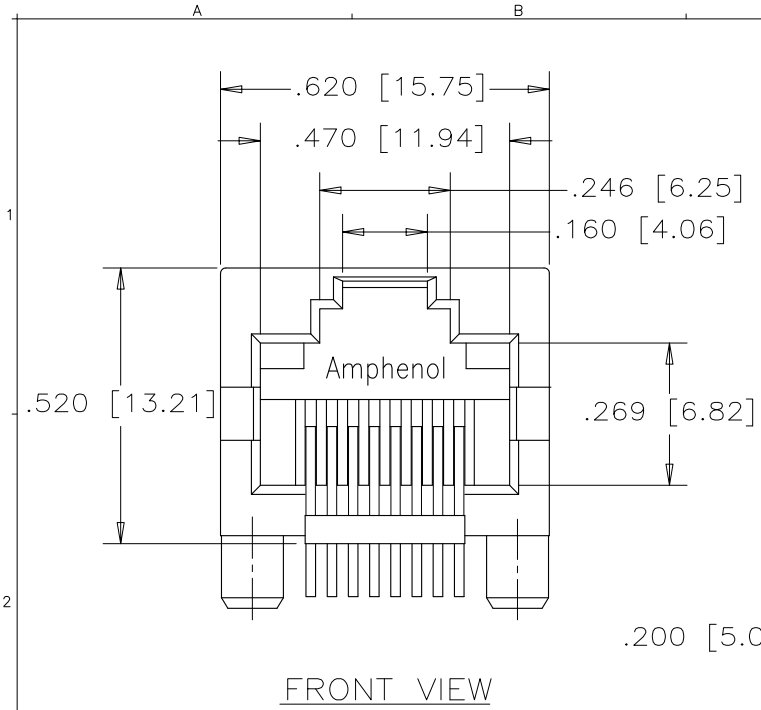
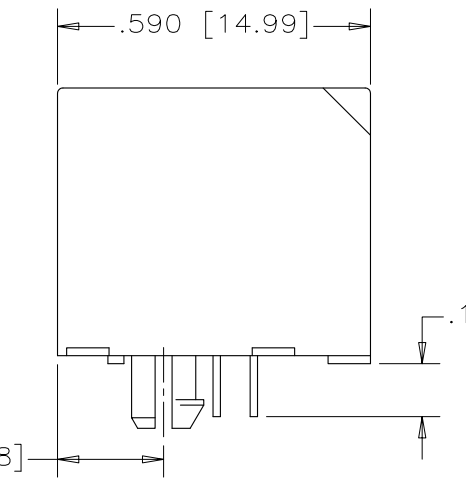


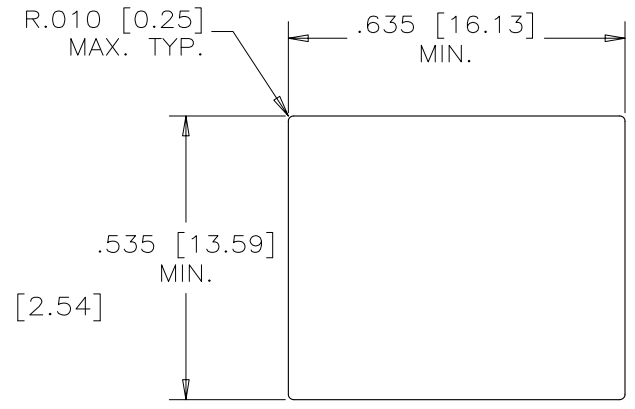
REVISIONS				
SYM	ZONE	ECN, ERN NO.	DATE	APPRD.
F		PROPOSAL	JUL18/12	L.CHAN
G		PROPOSAL	JUL31/12	L.CHAN



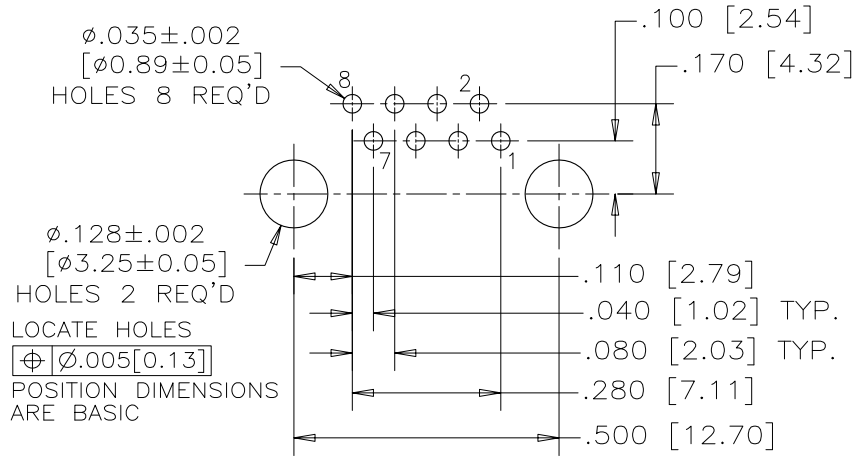
FRONT VIEW



SIDE VIEW



RECOMMENDED PANEL CUTOUT



RECOMMENDED P.C.B. LAYOUT  
(COMPONENT SIDE OF BOARD)

MATERIALS:

PLASTIC HOUSING: HIGH TEMPERATURE THERMOPLASTIC  
FLAMMABILITY RATING UL 94V-0,  
COLOR: BLACK

CONTACTS:

PHOSPHOR BRONZE  
PLATING: 50 μ" [1.27 MICRONS]  
MIN. GOLD ON MATING SURFACES.  
50 μ" [1.27 MICRONS]  
MIN. NICKEL UNDERPLATE  
100 μ" [2.54 MICRONS]  
MIN. MATTE TIN ON CONTACT TAILS.



PART NUMBER: RJHSE-5080

TOLERANCE ARE :		DRAWN PAUL WANG	DATE 06/03/28	Amphenol Canada Corp.	
DECIMALs	ANGLEs	DESIGNED			
.X ±.025	X' ±3.0°	CHECKED CHIGOW	06/03/28	TITLE SINGLE-PORT HIGH SPEED RJ45 MODULAR JACK, WITHOUT LED, 8 POS. 8 CONTACTS, NO SHIELD-RoHS COMPLIANT	
.XX ±.020	.X' ±2.0°	I. E. APPRD.		DWG DRAWING NO. P-RJHSE-5080	
.XXX ±.015	.XX' ±1.0°	Q. A. APPRD.		REV. G	
		DWG. APPRD.		SCALE: WT. ----- SURF. ----- SHEET 1 OF 1	
		ENG. REL. NO.			
		REF.			
		DIMENSIONS ARE IN INCHES [mm]	CODE ID. NO. 03554		

THIS DOCUMENT CONTAINS PROPRIETARY INFORMATION AND SUCH INFORMATION MAY NOT BE DISCLOSED TO OTHERS FOR ANY PURPOSE OR USED FOR MANUFACTURING PURPOSES WITHOUT WRITTEN PERMISSION FROM AMPHENOL CANADA CORP.