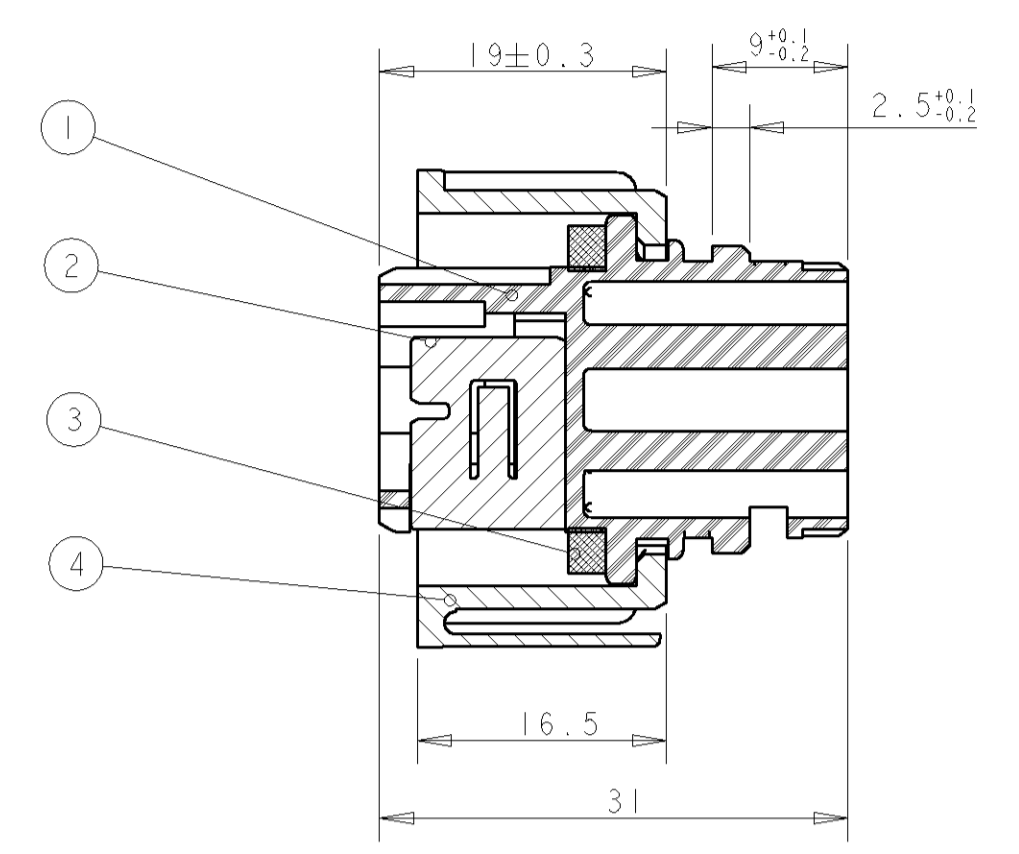
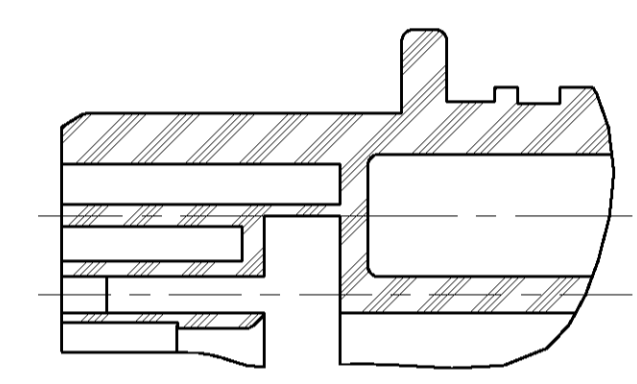
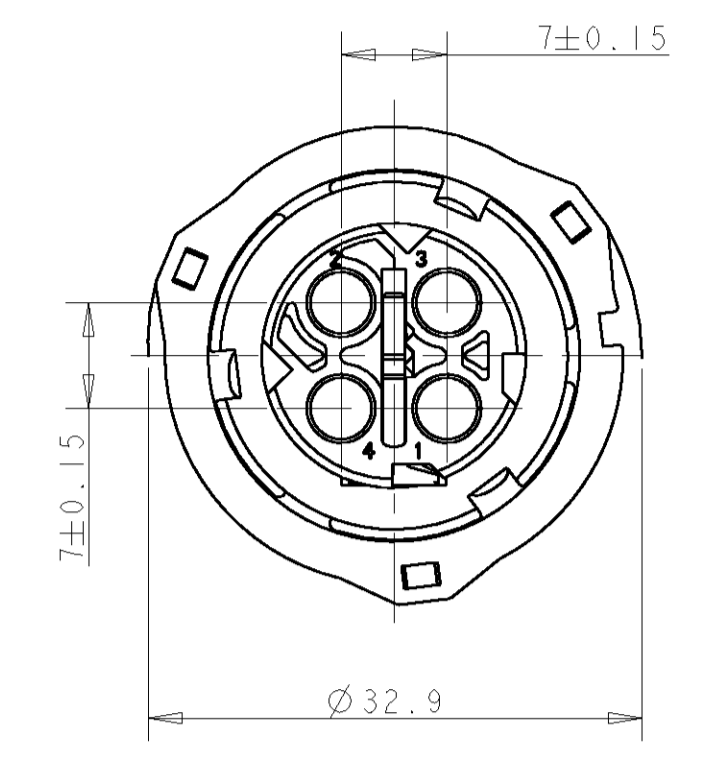


COUPLING RING IN PRE-LOCKED POSITION  
 (FITTING POSITION WITH PIN HOUSING)



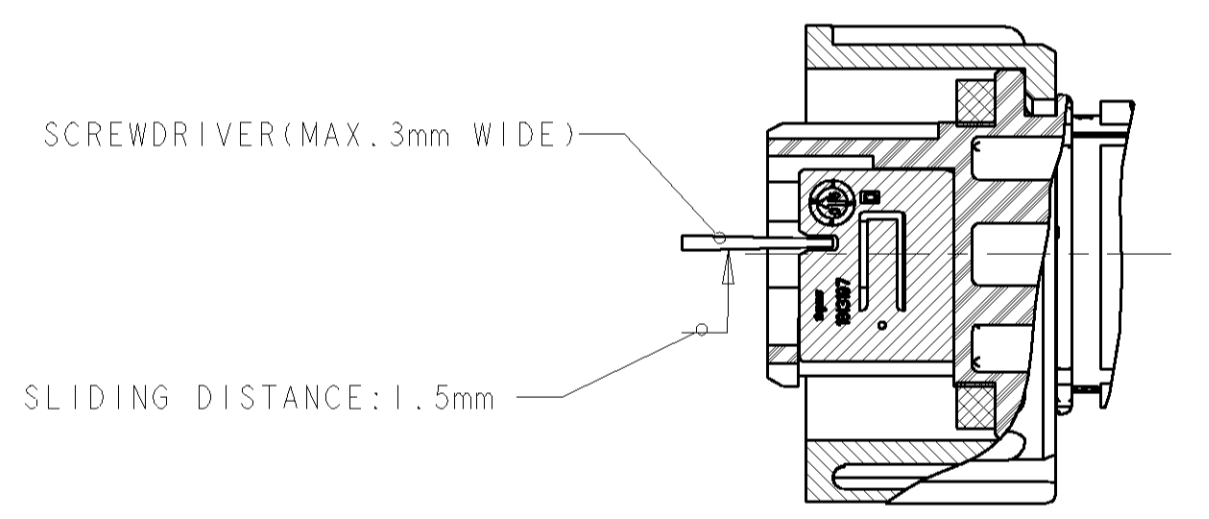
SECTION A-A

SECOND LOCKING DEVICE  
 IN PRE-LOCKED POSITION

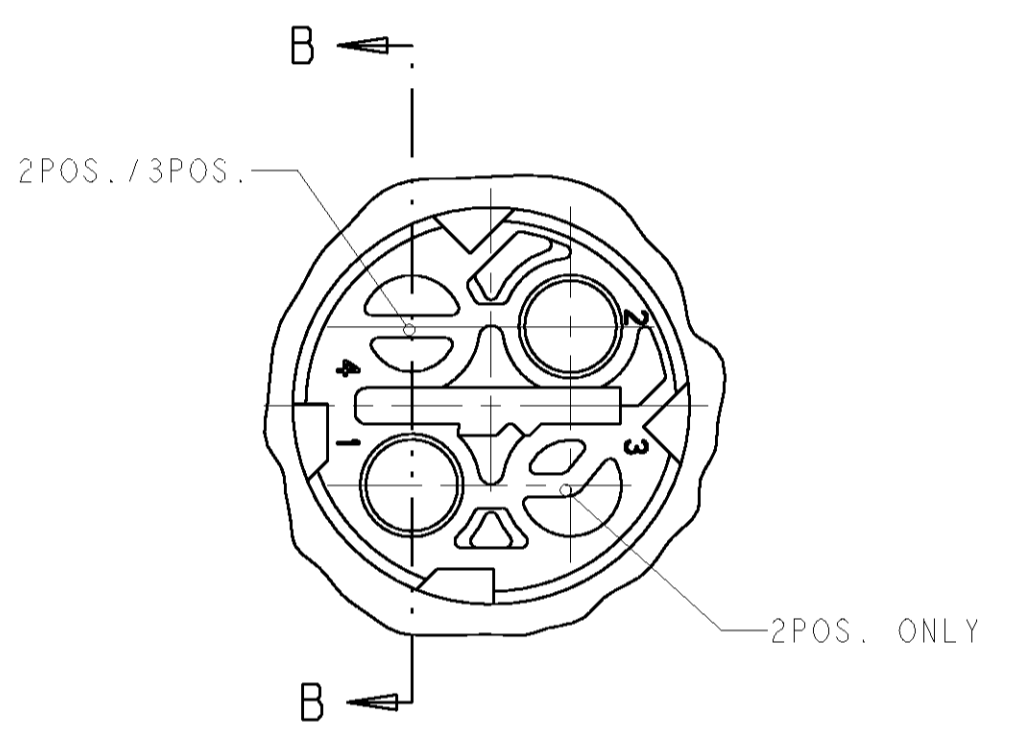


SECTION B-B

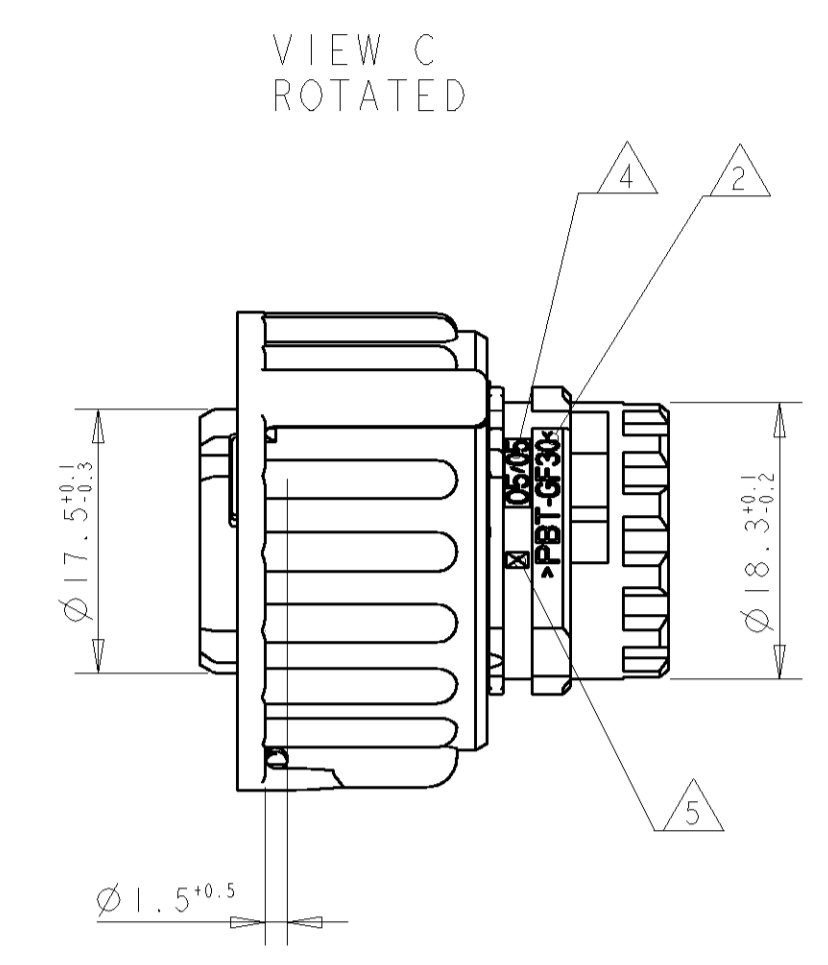
SECOND LOCKING DEVICE  
 IN LOCKED POSITION



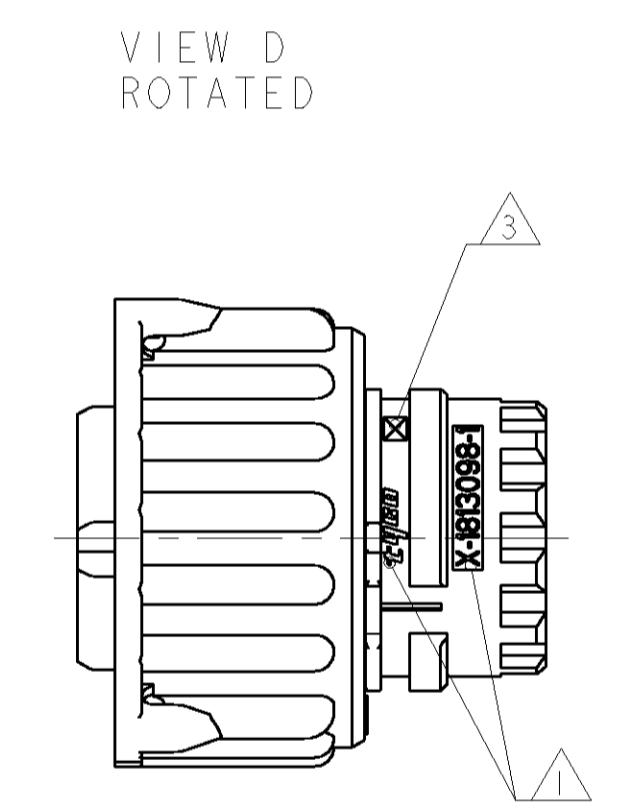
SECTION A-A



CLOSED CAVITY OF THE  
 2POS./3POS. SOCKET HOUSING



VIEW C  
 ROTATED



VIEW D  
 ROTATED

- NOTES:
- 1 TYCO LOGO AND TYCO NUMBER OF SINGLE PART
  - 2 MATERIAL MARKING
  - 3 REVISION OF THE MOULD
  - 4 PRODUCTION DATE
  - 5 CAVITY MARKING
  - 6. FITS TO CONNECTORS ACC. TO DIN 72585/ISO 15170 FORM A AND B AND PIN-HOUSING 2-4POS. TYCO-PN 967402
  - 7. FOR SUITABLE CONTACTS SEE DRAWING: TYCO-PN:1355065  
 MAX. WIRE THICKNESS: 2.5qmm FLR  
 FOR SUITABLE SEALS SEE DRAWING: TYCO-PN:1355070
  - 8. BULK PACKING IN CARDBOARD BOX
  - 9 COLOR OF SOCKET HOUSING ACC.TO CODING.

CODING ACC. TO DIN 72585/ISO15170				USABLE CONTACT-CAVITIES	POS	QTY	MATERIAL	COLOR	DESCRIPTION OF SINGLE PARTS
4 BLUE	3 GREEN	2 GREY	1 BLACK						
4-1813099-3	3-1813099-3	2-1813099-3	1-1813099-3	1, 2 (2POS)	4	1	PA46-GF30	BLACK	COUPLING RING
					3	1	SILICONE RUBBER	ORANGE	SEAL
					2	1	PA6/6T-GF25	YELLOW	SECOND LOCKING DEVICE
					1	1	PBT-GF30	9	2POS SOCKET HSG
4-1813099-2	3-1813099-2	2-1813099-2	1-1813099-2	1-3 (3POS)	4	1	PA46-GF30	BLACK	COUPLING RING
					3	1	SILICONE RUBBER	ORANGE	SEAL
					2	1	PA6/6T-GF25	YELLOW	SECOND LOCKING DEVICE
					1	1	PBT-GF30	9	3POS SOCKET HSG
4-1813099-1	3-1813099-1	2-1813099-1	1-1813099-1	1-4 (4POS)	4	1	PA46-GF30	BLACK	COUPLING RING
					3	1	SILICONE RUBBER	ORANGE	SEAL
					2	1	PA6/6T-GF25	YELLOW	SECOND LOCKING DEVICE
					1	1	PBT-GF30	9	4POS SOCKET HSG
TYCO ORDER NO	TYCO ORDER-NO	TYCO ORDER-NO	TYCO ORDER-NO						

DIMENSIONS: mm		TOLERANCES UNLESS OTHERWISE SPECIFIED: THIS SERIAL TOLERANCE		DWN: A. ZHANG 03JUN2005		tyco Tyco Electronics AMP	
FINISH		FINISH		CHK: R. ZHOU 25OCT2005		Shanghai, China	
MATERIAL SEE TABLE		MATERIAL SEE TABLE		APVD: K. QDA 03NOV2005		NAME: 2.5mm SOCKET CONNECTOR, 2-4POS WITH SECONDARY LOCKING	
SCALE: 2:1		SCALE: 2:1		PRODUCT SPEC: 108-101006		RESTRICTED TO: -	
SHEET 1 OF 1		SHEET 1 OF 1		APPLICATION SPEC: 114-18255-0		SIZE: A1	
REV 0		REV 0		WEIGHT: -		CAGE CODE: 00779	
				DRAWING NO: 1813099		DRAWING NO: 1813099	