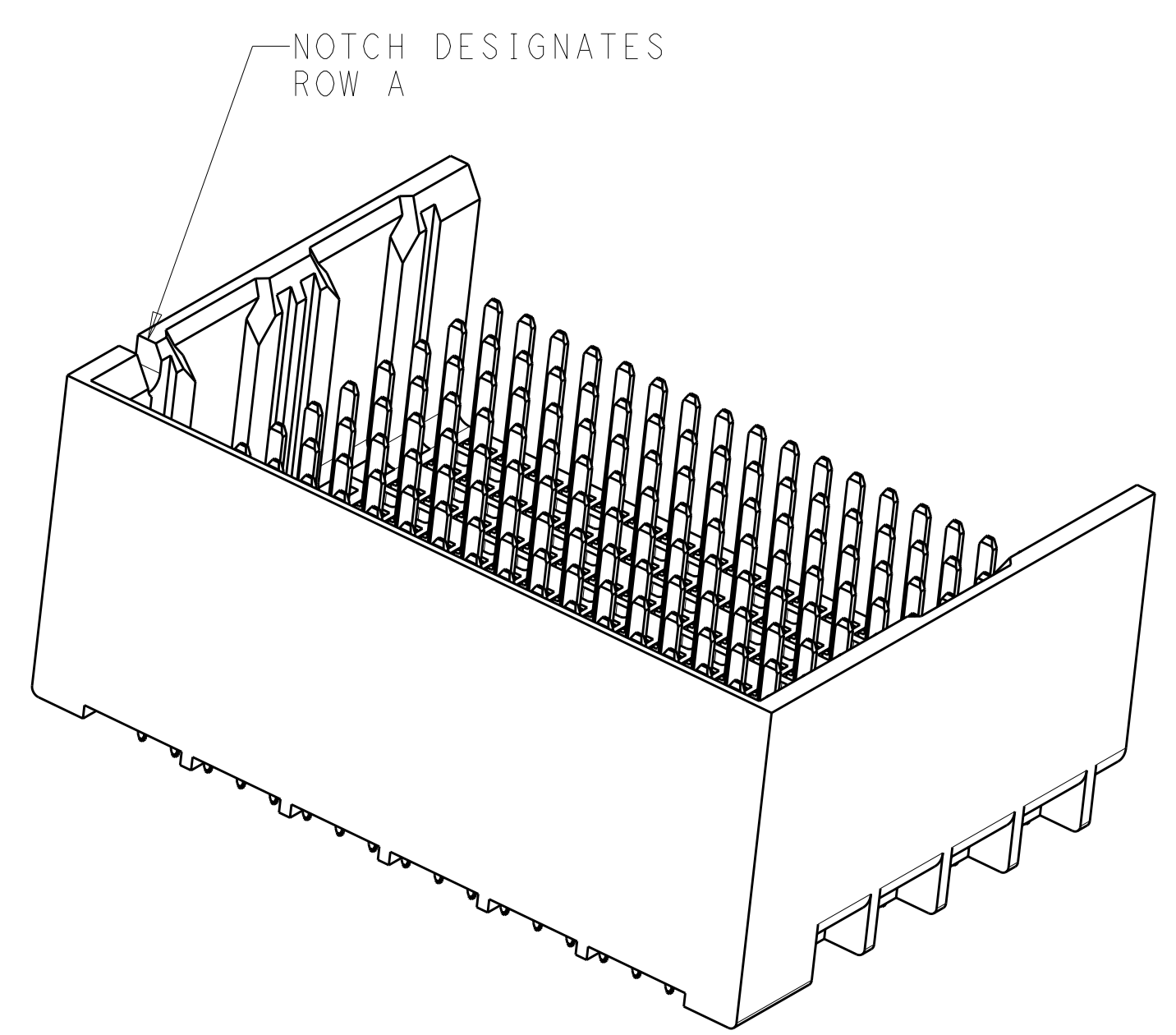
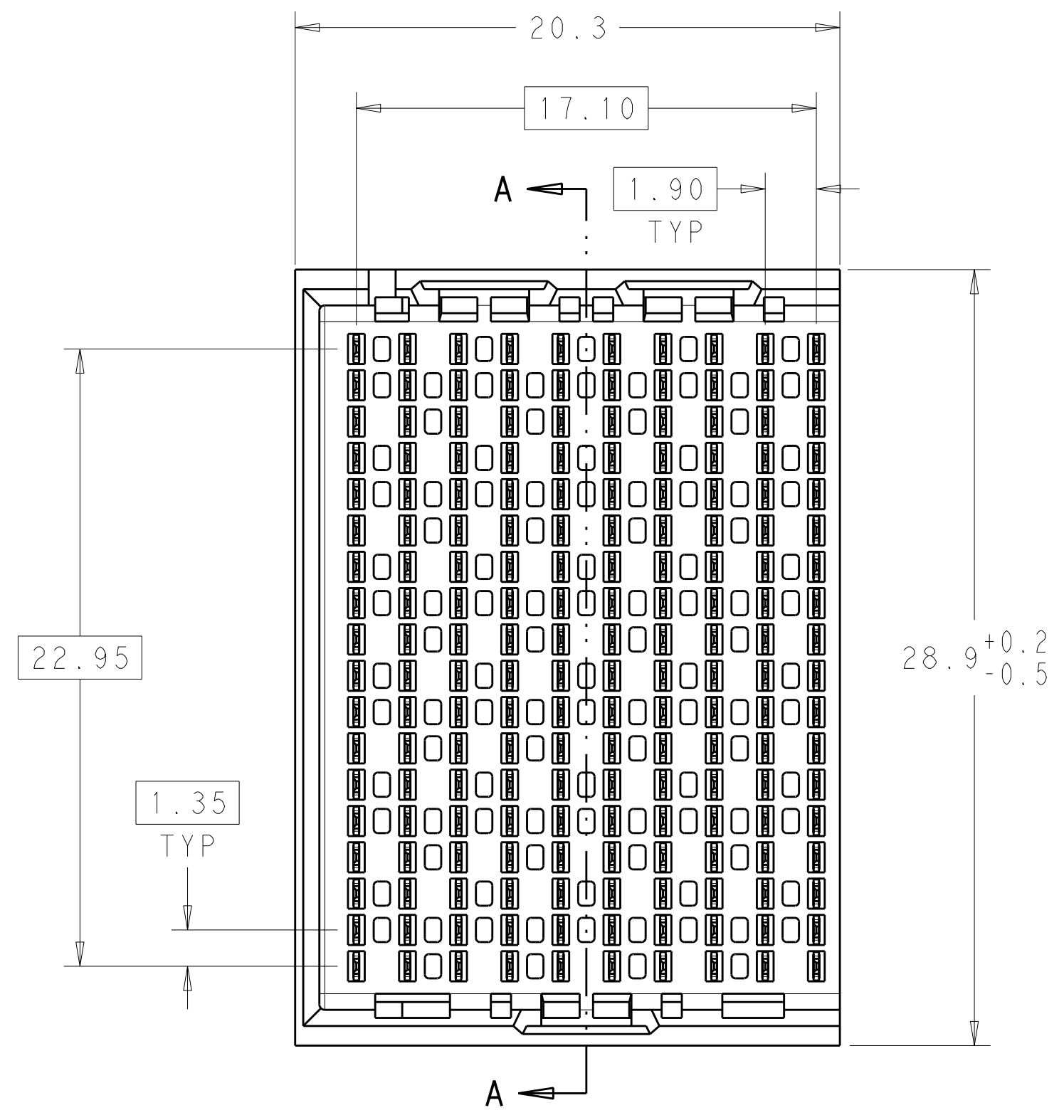
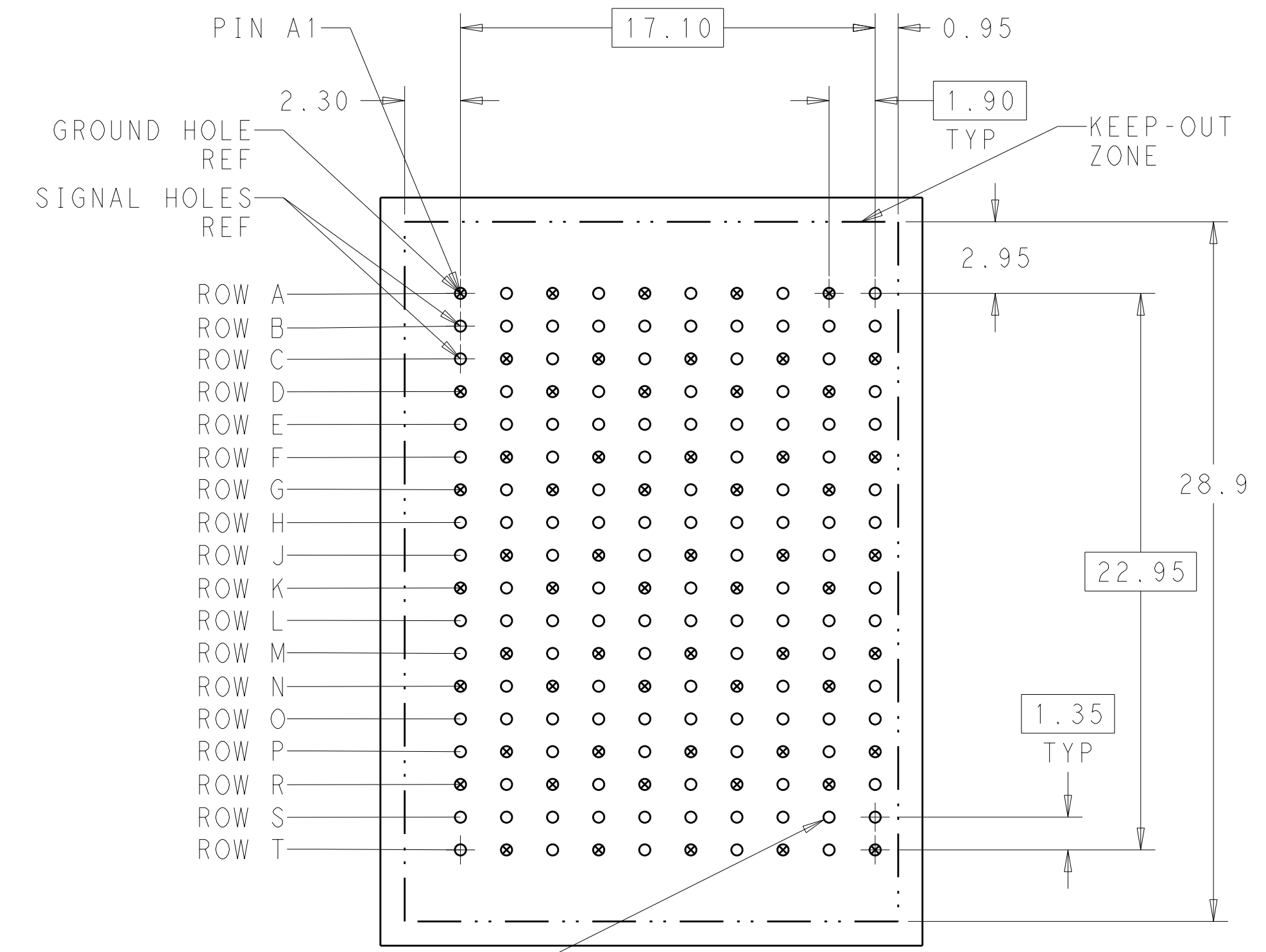


LOC	DIST	REV	DATE	BY	APPD
AD	00	A	02MAY2011	RKC	JE

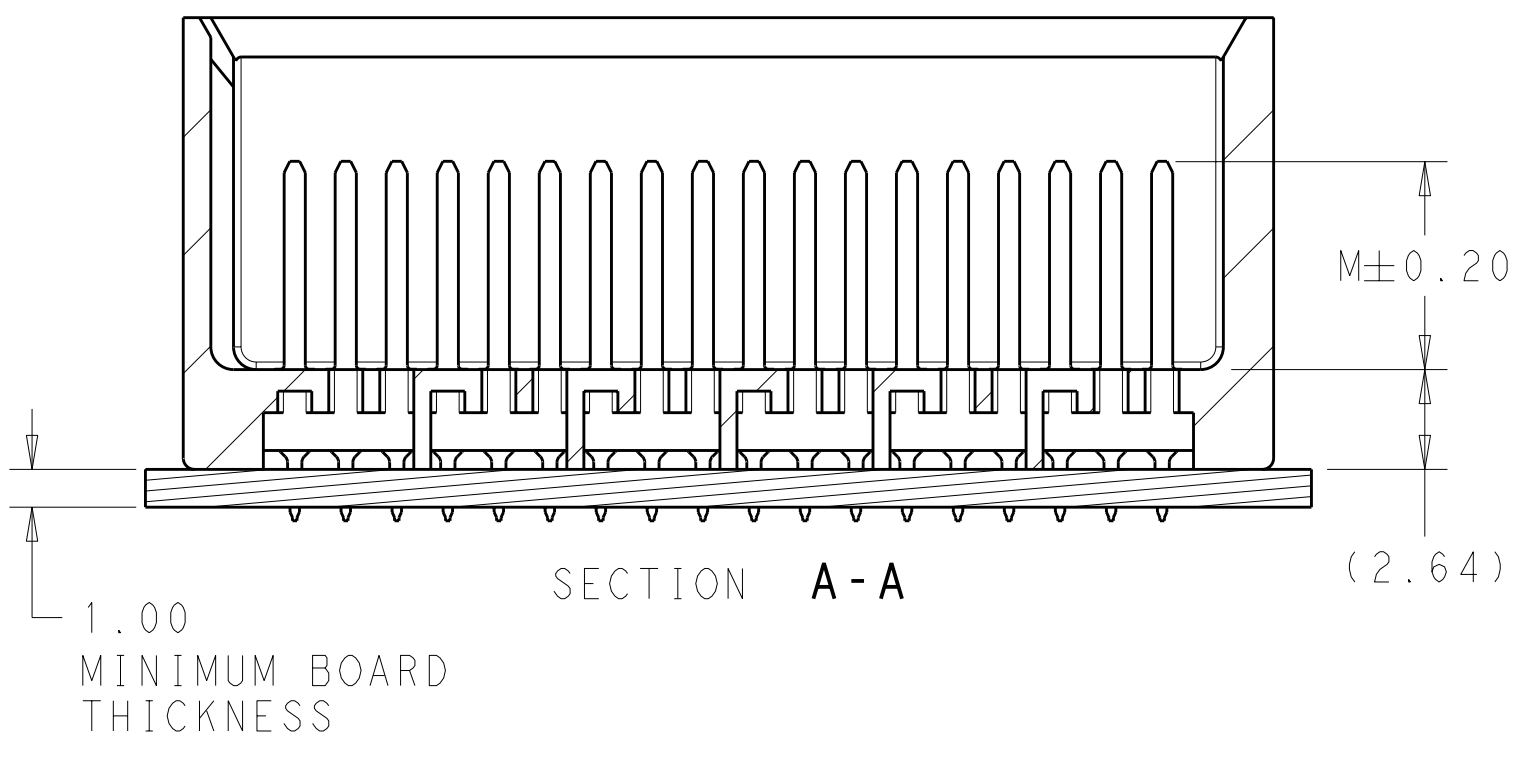
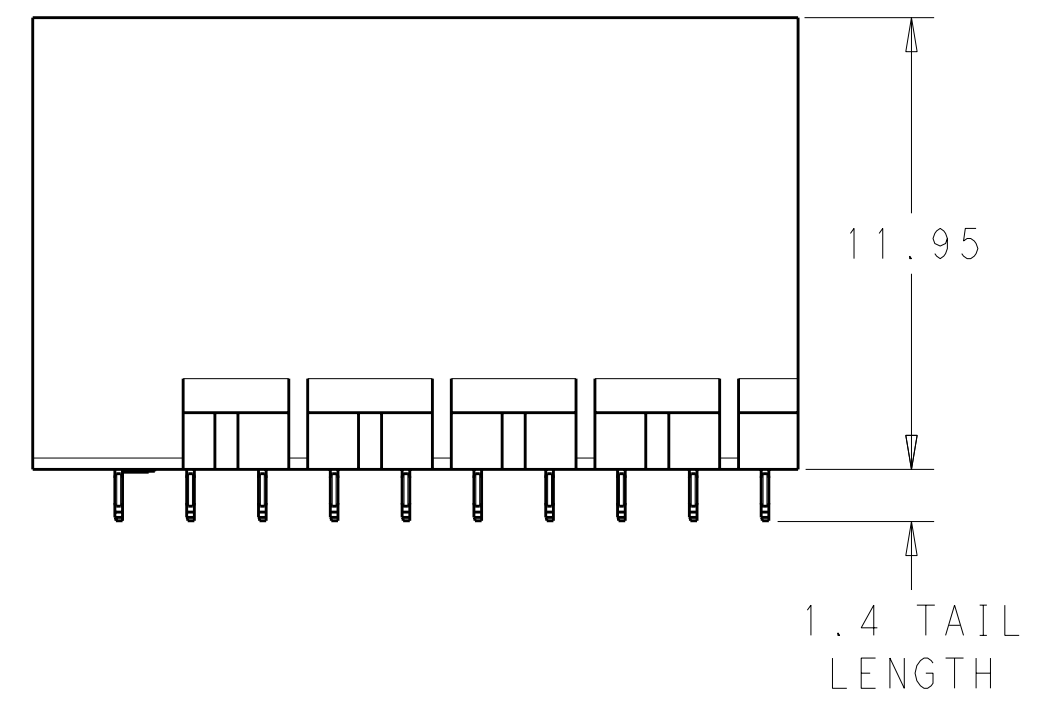


- 1 MATERIAL:
HOUSING: LCP, GLASS FILLED, UL94V-0.
TERMINALS: HIGH PERFORMANCE COPPER ALLOY.
- 2 FINISH:
30µ" MIN GOLD IN CONTACT AREA. SELECTIVE TIN ON PCB TAILS, NICKEL OVERALL.
- 3 FINISH:
30µ" MIN GOLD IN CONTACT AREA. SELECTIVE TIN-LEAD ON PCB TAILS, NICKEL OVERALL.



180X $\varnothing 0.46 \pm 0.05$
 $\varnothing 0.10$
 PLATED THRU HOLE

UNGUIDED
 BACKPLANE HOLE PATTERN
 (CONNECTOR SIDE)



THIS DRAWING IS A CONTROLLED DOCUMENT.		DWN R. COELLO 02MAY2011	TE Connectivity
DIMENSIONS: mm		CHK J. EARY 02MAY2011	
TOLERANCES UNLESS OTHERWISE SPECIFIED:		APVD J. EARY 02MAY2011	NAME: IMPACT, 6 PAIR, 10 COLUMN, HEADER UNGUIDED, LEFT END WALL SIGNAL MODULE, 0.46 PTH
9 PLC ±	1 PLC ±0.25	PRODUCT SPEC	SIZE: CAGE CODE: DRAWING NO: RESTRICTED TO
5 PLC ±0.13	4 PLC ±	APPLICATION SPEC	A100779C=2007881
ANGLES ±	FINISH SEE TABLE	WEIGHT	SCALE: 5:1 SHEET 1 OF 2 REV A
MATERIAL	FINISH	CUSTOMER DRAWING	

THIS DRAWING IS UNPUBLISHED. RELEASED FOR PUBLICATION 20
 BY . . . ALL RIGHTS RESERVED.

LOC	DIST	REVISIONS				
		P	LTB	DATE	DWN	APVD
AD	00	-	-	SEE SHEET 1	-	-

FINISH	DIM M	PART NUMBER
\triangle_3	5.5	2007881-6
\triangle_3	4.9	2007881-5
\triangle_3	4.5	2007881-4
\triangle_2	5.5	2007881-3
\triangle_2	4.9	2007881-2
\triangle_2	4.5	2007881-1

REFER TO WWW.TE.COM
 FOR PRODUCT AVAILABILITY

THIS DRAWING IS A CONTROLLED DOCUMENT.		DWN R. COELLO 02MAY2011	STE TE Connectivity
DIMENSIONS: mm		CHK J. EABY 02MAY2011	
TOLERANCES UNLESS OTHERWISE SPECIFIED:		APVD J. EABY 02MAY2011	NAME IMPACT, 6 PAIR, 10 COLUMN, HEADER
9 PLC ± .25		PRODUCT SPEC	UNGUIDED, LEFT END WALL
5 PLC ± .13		APPLICATION SPEC	SIGNAL MODULE, 0.46 PTH
4 PLC ± .		WEIGHT	SIZE CAGE CODE DRAWING NO RESTRICTED TO
ANGLES ± .		CUSTOMER DRAWING	A100779C=2007881
FINISH SEE TABLE		SCALE 5:1	SHEET 2 OF 2 REV A