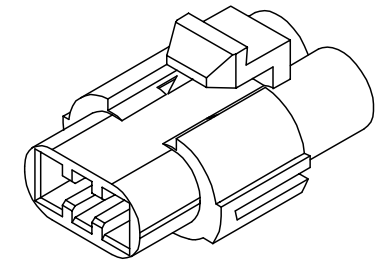
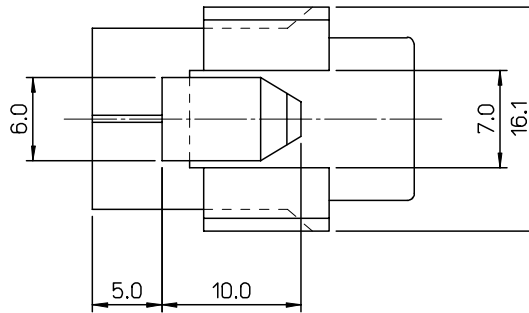
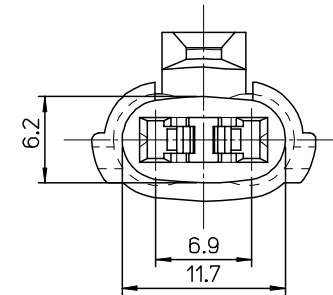
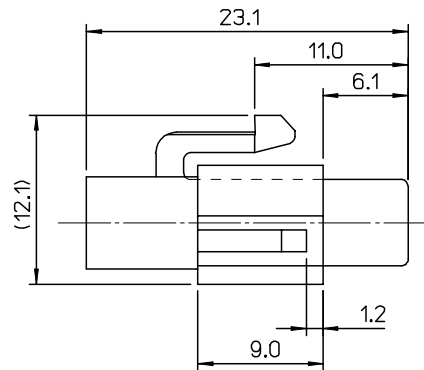
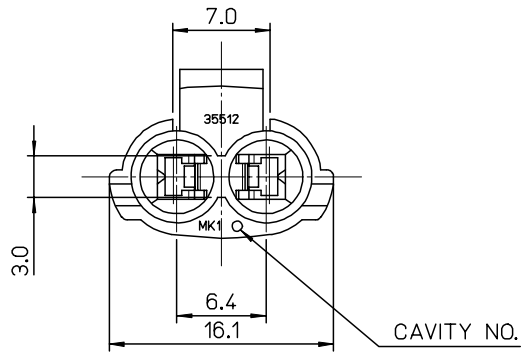


NO.	MATERIAL NO.	ENG. NO.
1	355120200	35512-0200



ISOMETRIC VIEW



NOTES

1. MATERIAL : POLYAMIDE(PA66), 40% MINERAL FILLED, UL94HB

CHANGED OF MATERIAL E.C. NO.: KOR2008-0070 DRW: NEEKIM 2007/10/04 CHK: BCY00N 2007/10/04 APPR: YUNSIKKIM 2007/10/02	QUALITY SYMBOLS ▽=0 ▽=0	GENERAL TOLERANCES (UNLESS SPECIFIED)		DIMENSION STYLE MM ONLY	SCALE 4:1	DESIGN UNITS METRIC	THIRD ANGLE PROJECTION	
		4 PLACES ± --- ± ---	mm INCH	DRAWN BY JKOH	DATE 1997/01/20	TITLE STS FEMALE HOUSING 2P		
		3 PLACES ± --- ± ---		CHECKED BY BKCHOI	DATE 1997/01/20	MOLEX INCORPORATED		
		2 PLACES ± --- ± ---		APPROVED BY CWLEE	DATE 1997/01/20	MATERIAL NO. 355120200	DOCUMENT NO. SD-35512-001	SHEET NO. 1 OF 1
1 PLACE ± 0.3 ± ---		ANGULAR ± 1 °		DRAFT WHERE APPLICABLE MUST REMAIN WITHIN DIMENSIONS				
SIZE A2				THIS DRAWING CONTAINS INFORMATION THAT IS PROPRIETARY TO MOLEX INCORPORATED AND SHOULD NOT BE USED WITHOUT WRITTEN PERMISSION				