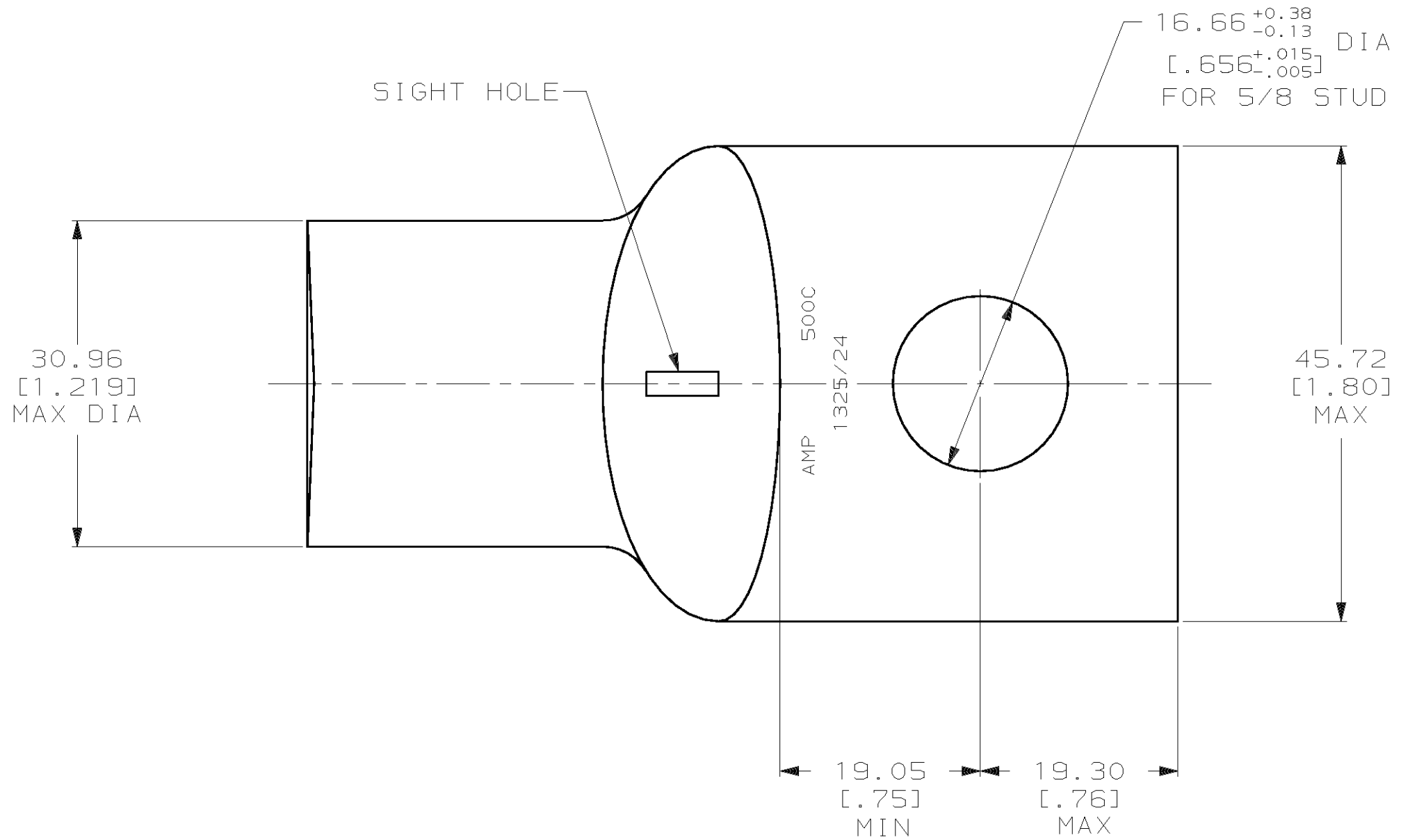
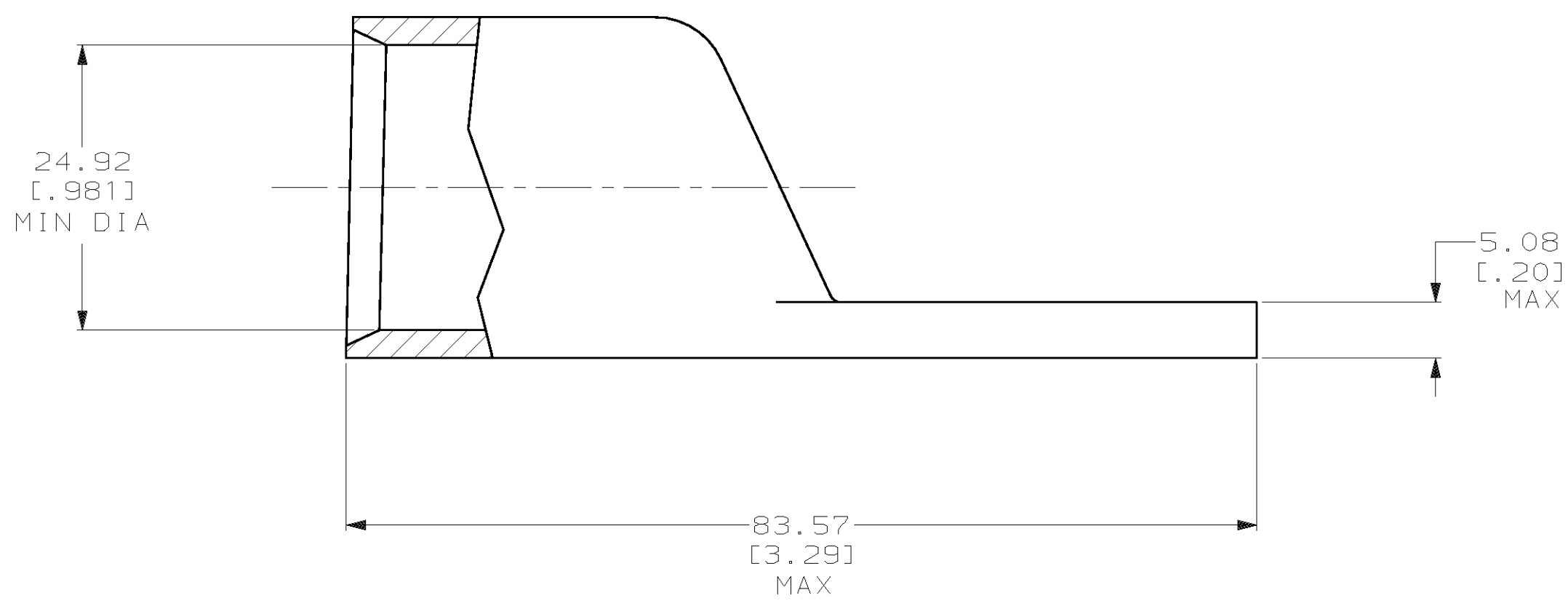


THIS DRAWING IS UNPUBLISHED. RELEASED FOR PUBLICATION .19 .  
 © COPYRIGHT 19 BY AMP INCORPORATED. ALL INTERNATIONAL RIGHTS RESERVED.

LOC		DIST		REVISIONS				DATE	APPD
ZONE	LTR	DESCRIPTION	DATE	APPD					
G	86	P F							
		R	REV PER 0G3A-0561-01	080CT02	JR				



1 CIRCULAR MIL AREA RANGE: 450-550 MCM  
 2 TIN PL 0.00381 [.000150] MIN THK PER MIL-T-10727



DO NOT SCALE PRINT. UNLESS SPECIFIED DIMENSIONS IN mm [INCHES] TOLERANCES ON : 2 PLC DEC ± 0.51 [.020] 3 PLC DEC ± - ANGLES ± -		DR 02/28/90 DK SCHRUM	326106 PART NO	
MATERIAL ANNEALED COPPER ASTM B-75	FINISH 2	CHK 23JAN95 MS FEHER	AMP INCORPORATED Harrisburg, Pa. 17105	
APPD 23JAN95 WJ VOCKROTH	APPD 23JAN95 TL SHUTTER	PRODUCT SPEC 108-30200	NAME TERMINAL, AMPPOWER™ WIRE SIZE: 500 MCM	
APPLICATION SPEC -	WEIGHT .314 LB	SIZE C	CAGE CODE 00779	DRAWING NO 326106
		SCALE 2:1		SHEET 1 OF 1