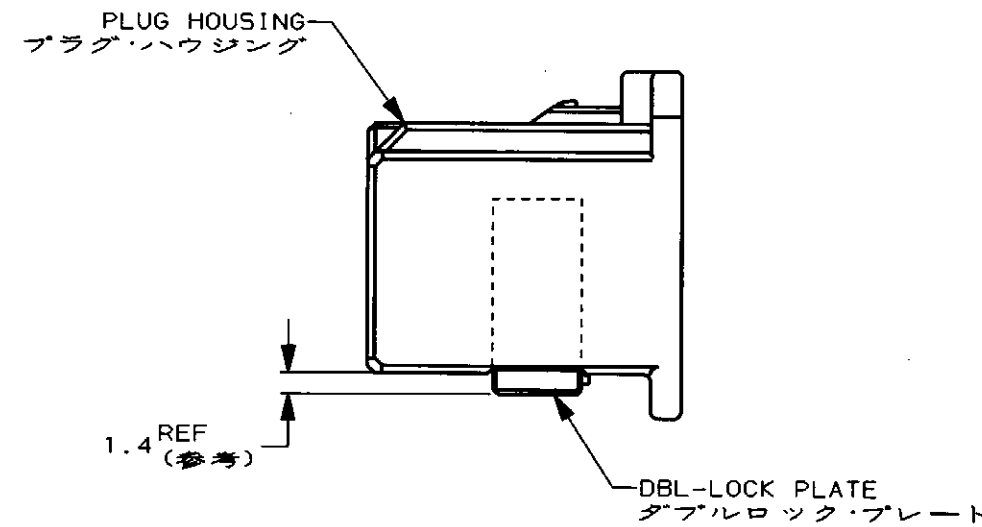
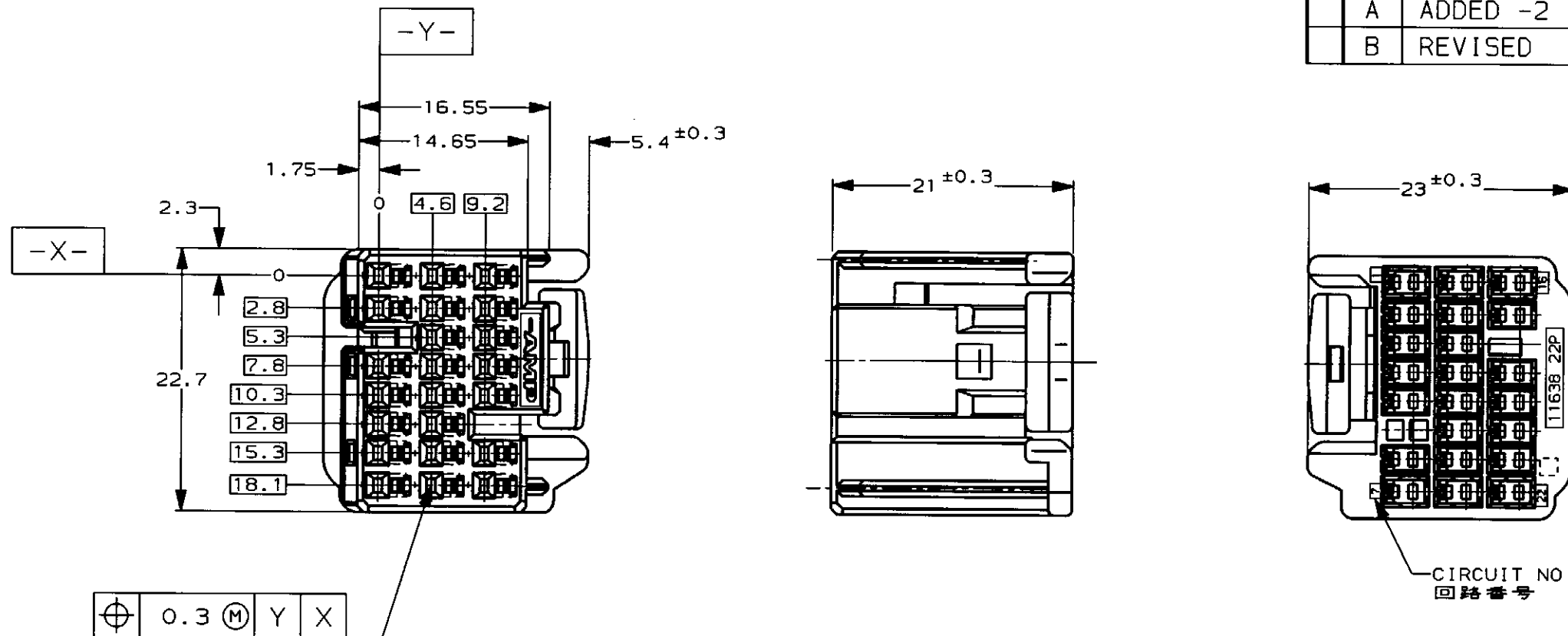


LOC	DIST	REVISIONS						
		P	LTR	DESCRIPTION	ECN	DATE	DWN	APVD
J	-	0		DRAWN	FJ00-4999-96	7/5'96	HY	NS
		A		ADDED -2	FJ00-5007-96	7/23'96	HY	NS
		B		REVISED	FJ00-0606-97	16APR97	HY	NS



- PART NUMBER OF CAP HOUSINGS TO BE MATED, 353015, 353016
- DETAILS OF CAVITIES; SEE TABLE-1

- 嵌合相手ハウジング型番; 353015, 353016
- キャビティ構成は、TABLE-1 参照

TABLE-1

CAVITY キャビティ	POS. 極数	CIRCUIT NO 回路番号	APPLIED CONTACT P/N 適用端子型番	APPLICABLE WIRE RANGE 適用電線
	16	2-6	316836, 316837	AVSS/CAVS 0.3~0.5mm ² CAVUS 0.3~0.5mm ²
		9-14 17-21		
	6	1, 7, 8	316836, 316837	AVS 0.5mm ² AVSS/CAVS 0.85~1.25mm ² CAVUS 1.25mm ²
		15, 16, 22		

THIS DRAWING IS A CONTROLLED DOCUMENT FOR AMP INCORPORATED. IT IS SUBJECT TO CHANGE AND THE CONTROLLING ENGINEERING ORGANIZATION SHOULD BE CONTACTED FOR THE LATEST REVISION.

DIMENSIONS 単位: 概 mm	TOLERANCES UNLESS OTHERWISE SPECIFIED 一般公差 10% ±0.2 30% ±0.25 100% ±0.3 ANGLE: ±3°	DWN 7/5'96 H. YAMAGAMI	AMP 日本エー・エム・ピー株式会社 Kawasaki, Japan .040III HIGH DENSITY CONNECTOR 22P PLUG HOUSING ASSY		
	MATERIAL 材料 PBT	CHK 7/5'96 T. KOHNO			
		APVD 7/5'96 N. SAI			
		PRODUCT SPEC 製品規格 108-5529 APPLICATION SPEC 取付適用規格 114-5217			
COLOR 色 SEE TABLE 表参照	WEIGHT 5.0g	SIZE A3	CAGE CODE 00779	DRAWING NO 番号 353028	
CUSTOMER DRAWING		SCALE 尺度 2-1	SHEET 1	OF 1	REV B