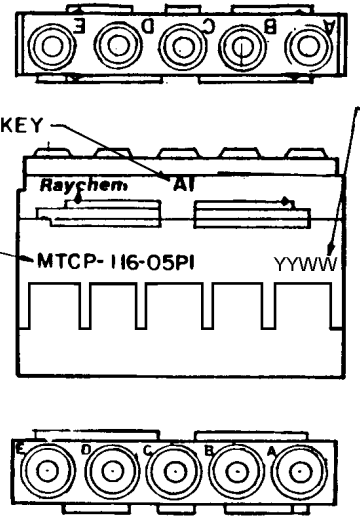
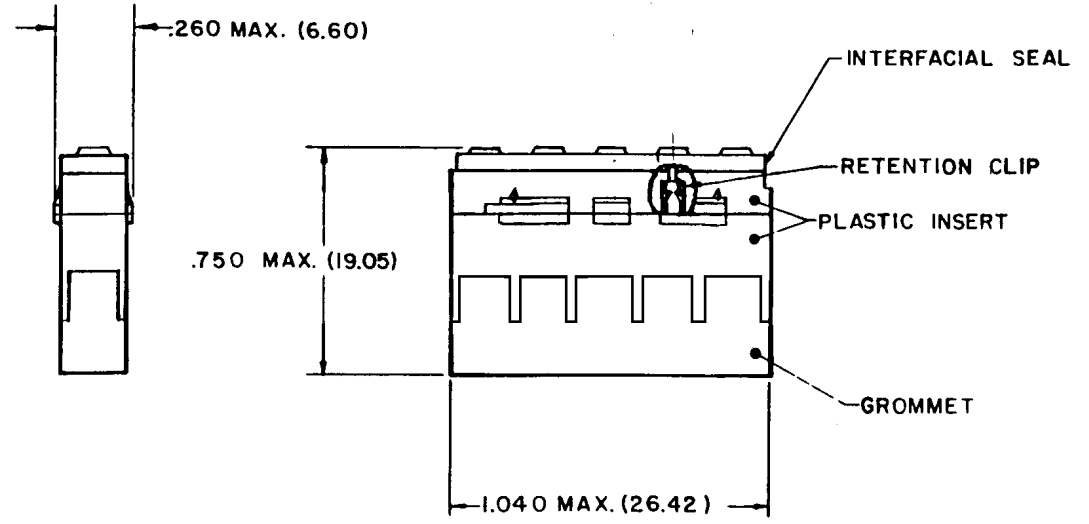
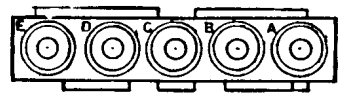
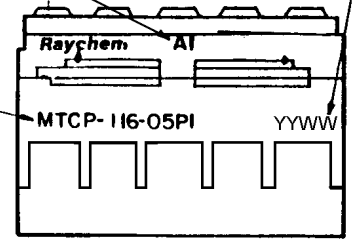


REVISIONS			
LTR	DESCRIPTION	DATE	APPROVED
B	RELEASED FOR PRODUCTION PER ECN T-013274	89 Nov 29	JB
C	REVISE PER DCR# T-22766	4/16/99	M.HIGGY



1. HOUSING ORIENTATION KEY



- NOTES
- THIS INSERT IS DESIGNED FOR USE IN RAYCHEM CONNECTOR HOUSINGS MTC 100-JH1-XXX OR MTC 100-JH2-XXX (SEE RAYCHEM INFORMATION DRAWING D-659-0097 AND HOUSING SCD'S FOR FURTHER DETAILS)
  - USE MIL-C-38999 SERIES 2 SIZE 16 CONTACTS OR EQUIVALENT. REFERENCE D-659-0097 FOR INSERTION/REMOVAL TOOLS, SEALING PLUGS AND CRIMP TOOLS WHEN APPLICABLE. THESE COMPONENTS ARE TO BE ORDERED SEPARATELY.
  - GROMMET DESIGNED TO SEAL ON WIRES HAVING AN INSULATION DIAMETER OF .065 IN. (1.65 MM) TO .109 IN. (2.77 MM)
  - PERFORMANCE:  
THIS PRODUCT MEETS THE REQUIREMENTS OF RAYCHEM SPECIFICATION D-6115
  - MATERIALS:  
 A) PLASTIC INSERT      HIGH GRADE POLYARYLENE THERMOPLASTIC  
 B) GROMMET              FLUROSILICONE PER MIL-R-25988  
 C) INTERFACIAL SEAL    FLUROSILICONE PER MIL-R-25988  
 D) RETENTION CLIP      BERYLLIUM COPPER 172 PER QQ-C-533

6. WEIGHT: 0.007 lbs [ 2.980 Grams ] MAXIMUM. If this document is printed it becomes uncontrolled. Check with the web for latest revision.

### SPECIFICATION CONTROL DRAWING

DRAWN	ALEXANDER	<b>Raychem</b>		RAYCHEM CORPORATION 300 CONSTITUTION DRIVE MENLO PARK, CALIFORNIA 94025	
CHECKED	JB				
APPROVED	<i>John</i> 10-12-84	TITLE      INSERT, PIN, PRIMARY 5 #16 CAVITIES POWER BLOCK CONNECTOR TEMPERATURE RATING 125°C MTC SERIES			
APPROVED	<i>Lamar</i> 10-24-84				
CAD NAME: T22766.TIF		SIZE	CODE IDENT. NO.	DWG. NO.	
UNLESS OTHERWISE SPECIFIED DIMENSIONS ARE IN INCHES. METRIC DIMENSIONS ARE IN PARENTHESIS		B	06090	MTCP-116-05PI	
				C	
DO NOT SCALE THIS DRAWING		WEIGHT	SHEET		OF