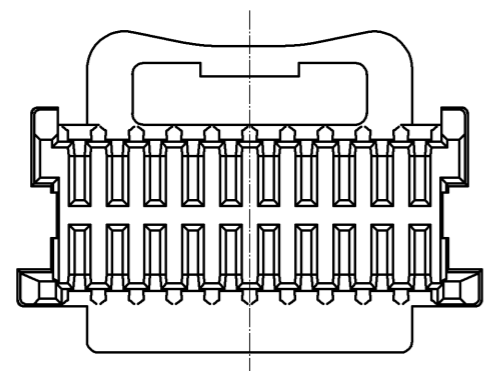
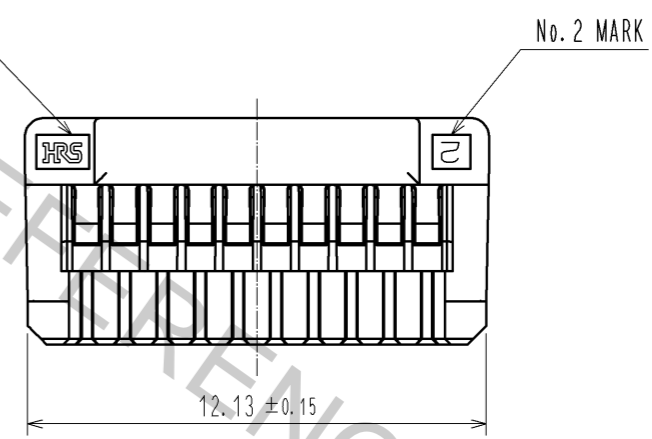
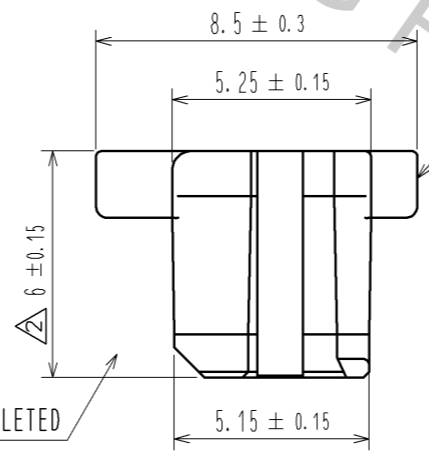
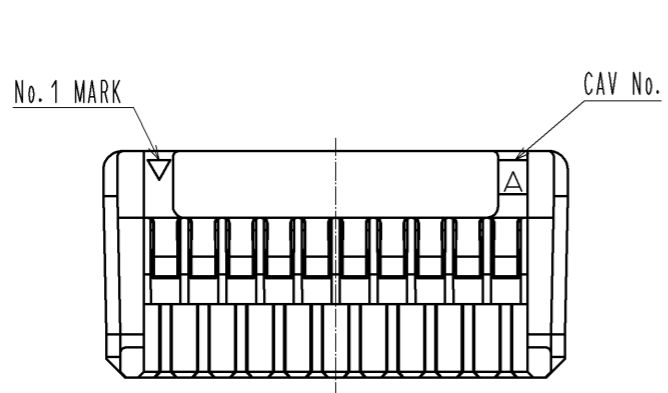
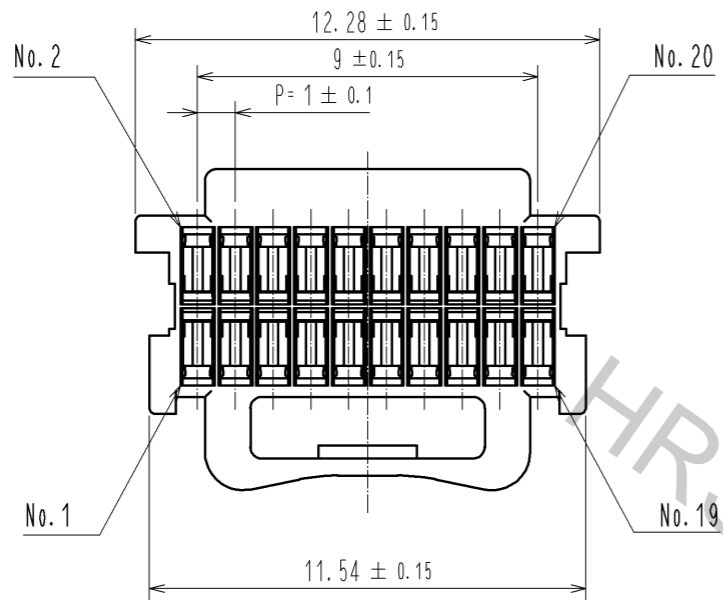


Apr.1.2017 Copyright 2017 HIROSE ELECTRIC CO., LTD. All Rights Reserved.



NOTE 1. 100 PIECES PER PACK

NO.		MATERIAL		FINISH . REMARKS		1	PBT	UL94V-0. WHITE
UNITS mm		SCALE 5 : 1		COUNT 2	DESCRIPTION OF REVISIONS DIS-H-008139	DESIGNED ST. SATO	CHECKED HK. UMEHARA	DATE 13. 09. 06
HIROSE ELECTRIC CO., LTD.		APPROVED	: OM. MIYAMOTO	12. 01. 31	DRAWING NO. EDC3-339520-00			
		CHECED	: OM. MIYAMOTO	12. 01. 31	PART NO. DF50S-20DS-1C			
		DESIGNED	: TT. OHSAKO	12. 01. 31	CODE NO. CL665-0020-2-00			
		DRAWN	: TT. OHSAKO	12. 01. 31	1/1			