

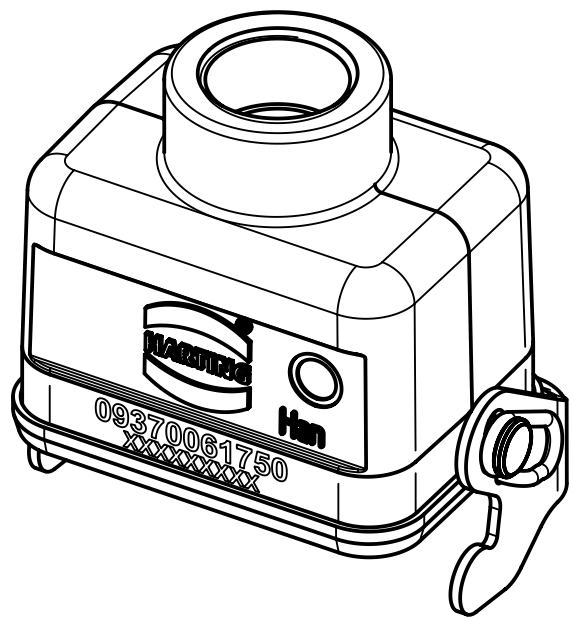
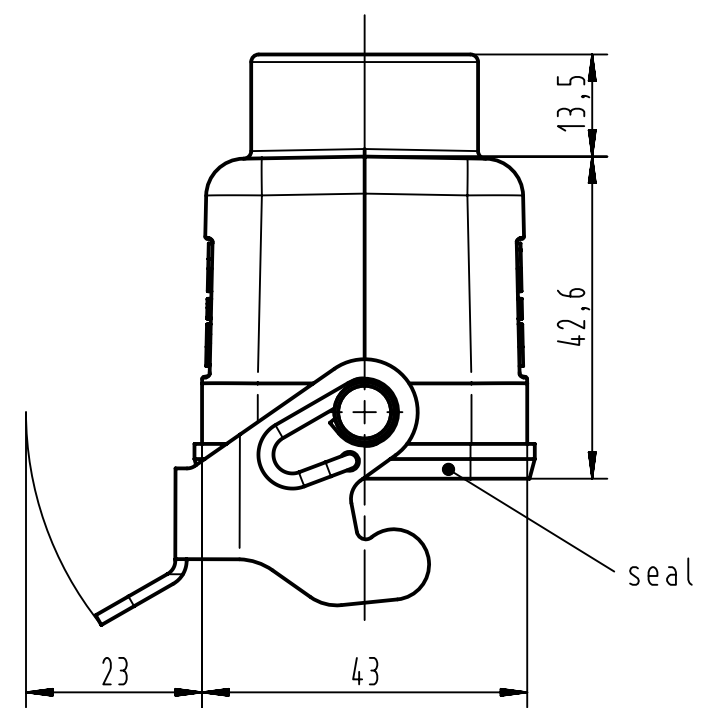
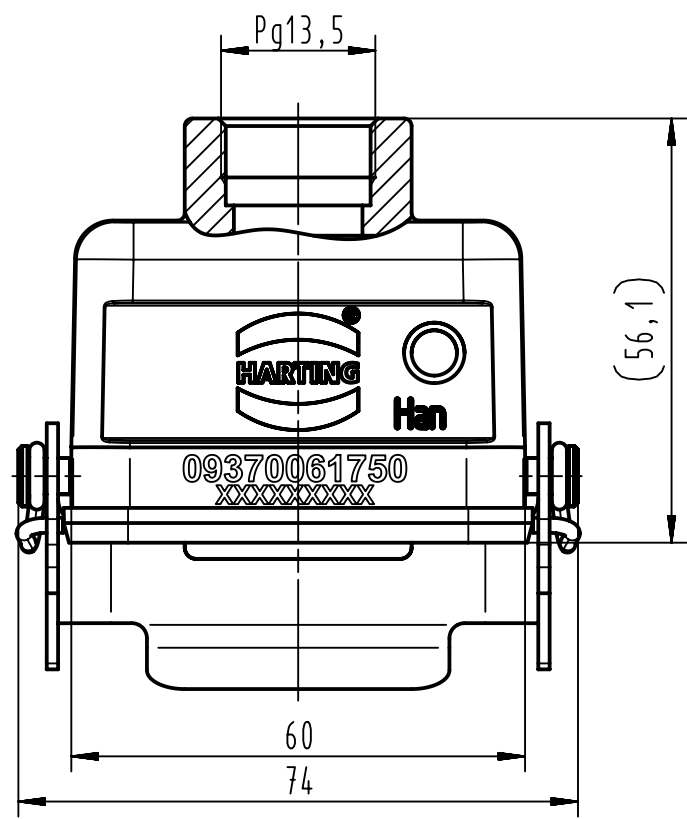
1 2 3 4 5 6

A

B

C

D



	All Dimensions in mm Original Size DIN A4		Scale 1:1	Free size tol.		Ref.		
						Sub.		
	All rights reserved		Created by RULLKOETTER	Inspected by BERGHORN	Standardisation SCHMIDTM	Date 2012-12-18	State Final Release	
	Department EL PD - DE		Title Han 6M-kg-LB-13.5				Doc-Key / ECM-Nr. 100201254/UGD/004/A	
HARTING Electric GmbH & Co. KG D-32339 Espelkamp			Type TB	Number 09 37 006 1750			Rev. A	Page 1/1