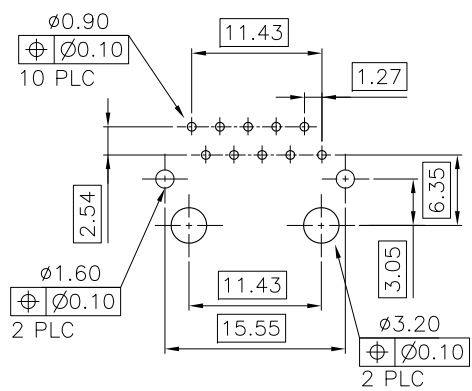
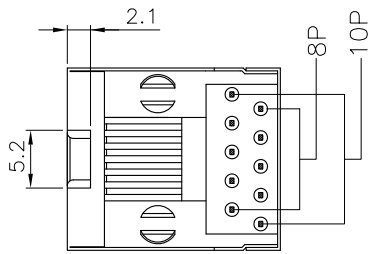
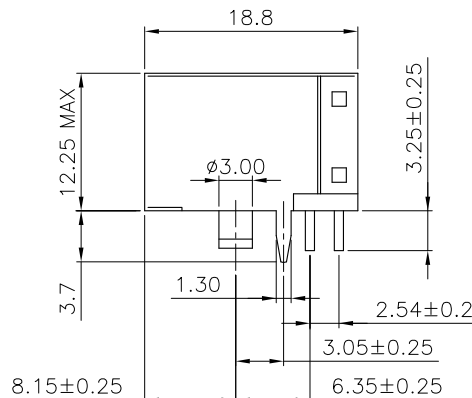
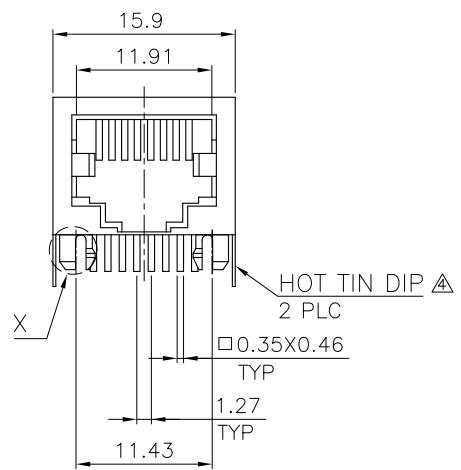
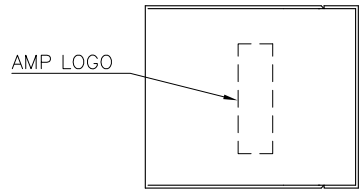


DETAIL X



RECOMMENDED PCB LAYOUT (THICKNESS: 1.6mm)
 DIMENSION TOLERANCE: 1 PLC: ±0.1 2PLC: ±0.05

NOTE:

- MATERIAL:
 HOUSING: PA46 WITH 30% GF, UL 94V-0, BLACK COLOR.
 CONTACTS: PHOSPHOR BRONZE, 0.35X0.46 THICKNESS.
 SHIELD: BRASS, 0.25 THICKNESS.
- FINISH:
 CONTACTS: (SEE TABLE) GOLD PLATED ON CONTACT AREA,
 GOLD FLASH ON SOLDER TAILS, WITH ENTIRE
 CONTACT UNDERPLATED 1.27µm [50µ"] MIN. NICKEL.
 SHIELD: 0.508µm [20µ"] MIN. NICKEL PLATED.
- WAVE SOLDER CAPABLE TO 265°C PER 109-202, CONDITION B.

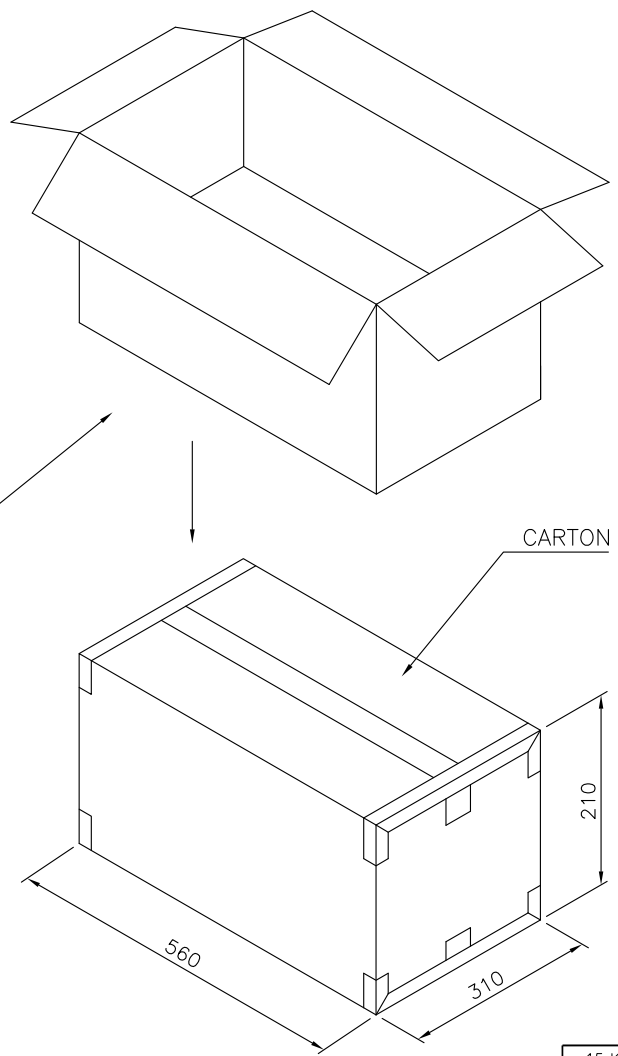
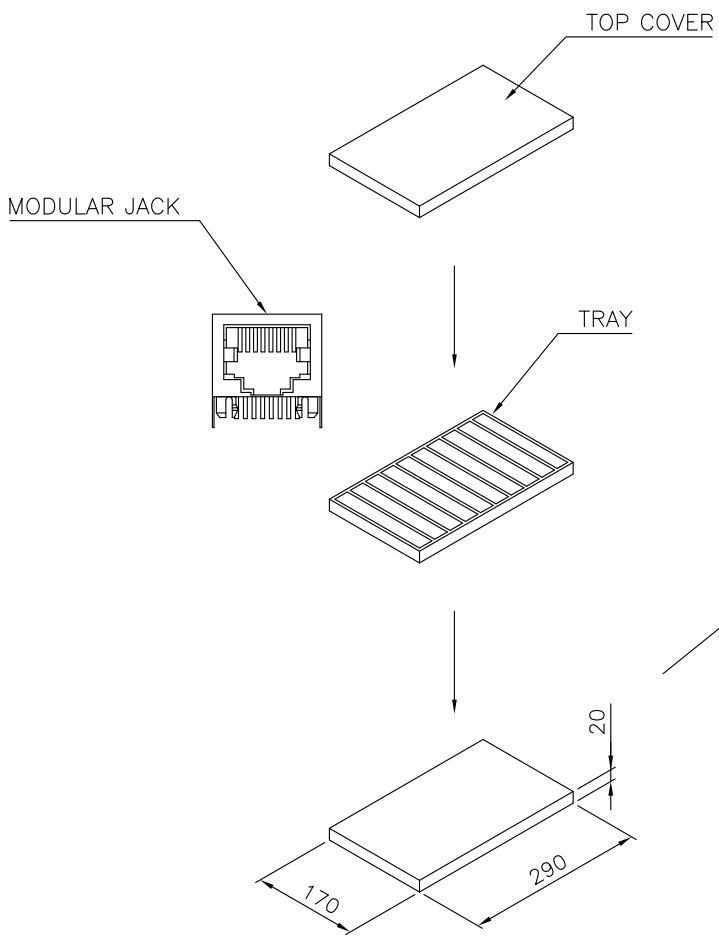
- △ PREPLATED HOT TIN DIP ON SHIELD'S LEGS.
- △ OBSOLETE PARTS: OBSOLETE CIS STREAMLINING PER D.RENAUD/D.SINISI

OBSOLETE	10P8C	RED	50µ"	3-1734580-4
OBSOLETE			30µ"	3-1734580-3
OBSOLETE			15µ"	3-1734580-2
OBSOLETE			6µ"	3-1734580-1
OBSOLETE	10P10C	BLACK	50µ"	1-1734580-4
			30µ"	1-1734580-3
			15µ"	1-1734580-2
	10P8C	BLACK	6µ"	1-1734580-1
			50µ"	1734580-8
			30µ"	1734580-7
	10P8C	BLACK	15µ"	1734580-6
			6µ"	1734580-5
			50µ"	1734580-4
	10P8C	BLACK	30µ"	1734580-3
			15µ"	1734580-2
			6µ"	1734580-1
	RJ 45	HSG. COLOR	MIN. GOLD THICKNESS	PART NUMBER


THIS DRAWING IS A CONTROLLED DOCUMENT.		DWN O. HU 01JUN2007	TE Connectivity MODULAR JACK, RJ45, 8P8C, SHIELDED, SIDE ENTRY, LOW PROFILE	
DIMENSIONS: MM		CHK S. HOU 01JUN2007		
TOLERANCES UNLESS OTHERWISE SPECIFIED:		APVD W.J. KE 01JUN2007		
0 PLC ± 0.50 1 PLC ± 0.30 2 PLC ± 0.20 3 PLC ± 0.10 4 PLC ± 0.10 ANGLES ± - ± 3°		NAME PRODUCT SPEC 108-57535		
MATERIAL SEE NOTE		FINISH SEE NOTE	QUALIFICATION TEST REPORT 501-57628	SIZE A3
		WEIGHT 5.25 GRAMS	CAGE CODE 00779	DRAWING NO. C=1734580
		CUSTOMER DRAWING	RESTRICTED TO -	SCALE - SHEET 1 OF 2 REV B3

THIS DRAWING IS UNPUBLISHED. RELEASED FOR PUBLICATION
 © COPYRIGHT BY TYCO ELECTRONICS CORPORATION. ALL RIGHTS RESERVED.

LOC	DIST	REVISIONS					
DW	-	P	LTR	DESCRIPTION	DATE	DWN	APVD
				SEE SHEET 1.			



15 Kg	13.5 Kg	100	25	2500 PCS
GROSS WEIGHT	NET WEIGHT	PCS/TRAY	TRAYS /CARTON	QUANTITY

THIS DRAWING IS A CONTROLLED DOCUMENT.		DWN	O. HU	01JUN2007	 TE Connectivity											
DIMENSIONS: MM		CHK	S. HOU	01JUN2007												
TOLERANCES UNLESS OTHERWISE SPECIFIED:		APVD	W.J. KE	01JUN2007												
<table border="0"> <tr><td>0 PLC</td><td>± -</td></tr> <tr><td>1 PLC</td><td>± -</td></tr> <tr><td>2 PLC</td><td>± -</td></tr> <tr><td>3 PLC</td><td>± -</td></tr> <tr><td>4 PLC</td><td>± -</td></tr> <tr><td>ANGLES</td><td>± -</td></tr> </table>		0 PLC	± -	1 PLC		± -	2 PLC	± -	3 PLC	± -	4 PLC	± -	ANGLES	± -	PRODUCT SPEC	NAME
0 PLC	± -															
1 PLC	± -															
2 PLC	± -															
3 PLC	± -															
4 PLC	± -															
ANGLES	± -															
MATERIAL		APPLICATION SPEC	-		SIZE	CAGE CODE	DRAWING NO	RESTRICTED TO								
FINISH		WEIGHT	-		A3	00779	©=1734580	-								
CUSTOMER DRAWING					SCALE	-	SHEET	2 of 2	REV	B3						