

SAFETY ORGANIZATION(S):

THIS FILTER HAS BEEN FORMALLY RECOGNIZED, CERTIFIED OR APPROVED BY THE LISTED AGENCY. THEREFORE, ALL TEST/REQUIREMENTS SPECIFIED IN THE LATEST REVISION OF THE FOLLOWING AGENCY STANDARDS HAVE BEEN MET.

- UL 1283
- CSA 22.2, NO.0, 0, 4, 8
- VDE 565-3
- SEV 1055/TP1977/5.1.1

OPERATING SPECIFICATIONS:

- LINE VOLTAGE/CURRENT, 1 AMP., 120/250 VAC
- 50-60HZ
- 30°C
- LINE FREQUENCY, .25mA at 120V 60 Hz
- MAX. CASE RISE @ RATED CURRENT, .48 mA at 250V 50 Hz
- MAX. LEAKAGE CURRENT, EACH LINE TO GROUND, -10°C TO +40°C @ RATED CURRENT, I_r
- OPERATING AMBIENT TEMP. RANGE, IN AN AMBIENT, T_a, HIGHER THAN 40°C, THE MAXIMUM OPERATING CURRENT, I_o, IS AS FOLLOWS:

$$I_o = I_r \sqrt{\frac{85 - T_a}{45}}$$

RELIABILITY SPECIFICATIONS:

- STORAGE TEMPERATURE, -40°C TO +85°C
- HUMIDITY, 21 DAYS @ 40°C 95% RH
- CURRENT OVERLOAD TEST, 6 TIMES RATED CURRENT FOR 8 SECONDS

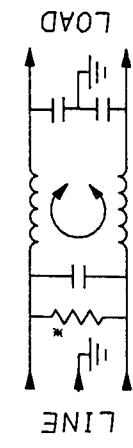
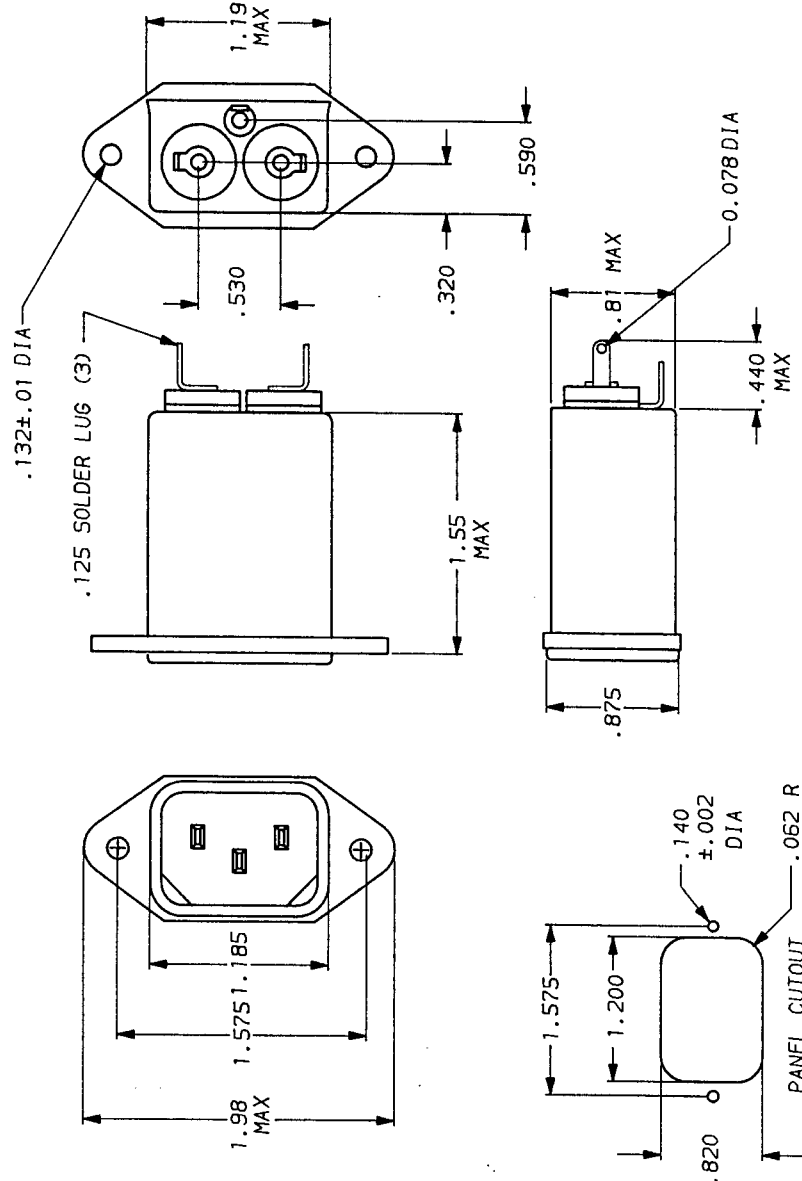
TEST SPECIFICATIONS:

- INDUCTANCE, 1.9 mH NOMINAL
- CAPACITANCE, (MEASURED @ 1 KHz, 0.25 VAC MAX., 25°C ±1°C)
- LINE TO GROUND, .005µF ±20%
- LINE TO LINE, .011µF ±20%
- DISCHARGE RESISTOR, 1.5 MΩ
- LINE/GROUND AND LINE/LINE 6000 MΩ (MIN) AT 100 VDC
- INSULATION RESISTANCE 20°C AND 50% RH
- (W/O DISCHARGE RESISTOR)

RECOMMENDED RECEIVING INSPECTION HIPOT.

- 2250 VDC FOR 1 MINUTE
- 1450 VDC FOR 1 MINUTE

FILTER APPROVAL:
 THE BEST WAY TO SELECT AND QUALIFY A FILTER IS FOR YOUR ENGINEERING TO TEST THE UNIT IN YOUR EQUIPMENT.



FREQUENCY MHZ	50n - 50n (MINIMUM) INSERTION LOSS						
	.15	.5	1.0	5.0	10	20	30
COMMON	22	35	40	46	50	49	49

This document is proprietary to CORCOM INC. and is not to be reproduced nor used for manufacturing purposes except on CORCOM's order or prior written consent.



POWER LINE FILTER

DATE	REV.
9-12-89	1EF1.06
DRW. BY	DESIGNATOR
TDL	CH

*RESISTOR ADDED TO PRODUCT BUILT AFTER 3-30-92 (9212).