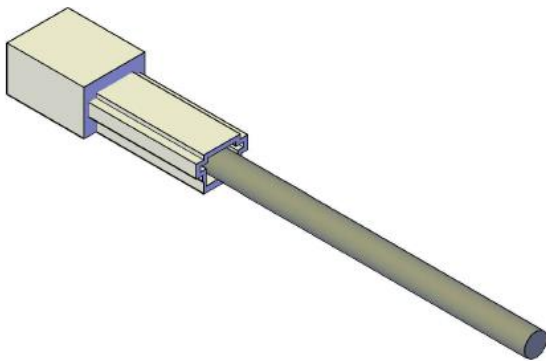
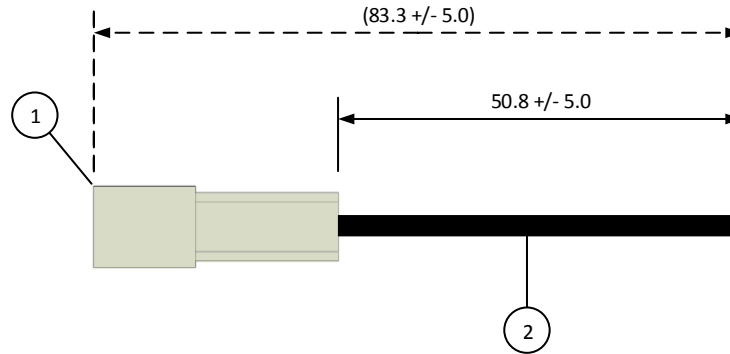


| 4    |                    | 3                                   |           | 2         |                    | 1 |  |
|------|--------------------|-------------------------------------|-----------|-----------|--------------------|---|--|
| ITEM | CONNECTOR PART NO. | DESCRIPTION                         | IPI CHECK | EOR CHECK | Applicable Tooling |   |  |
| 1    | RSFR-1VF           | RSF CONNECTOR WHITE HOUSING, W-W    |           |           | APPLICATOR         |   |  |
| 2    | SIM-51T-250N       | TAB-IN TERMINAL – BRASS, TIN-PLATED |           |           |                    |   |  |
| 3    | UL1015, 16 AWG     | BLACK                               |           |           |                    |   |  |



**JST**

|  |  |                   |
|--|--|-------------------|
| SCALE  | CUSTOMER NAME  | CUSTOMER PART NO. |
| 1: 1   |  |                   |
| DIMENSIONS   | DESCRIPTION  |                   |
| All dimensions are in MM with a tolerance of +/- 3.0 unless otherwise specified. | 2" INSIDE LENGTH – 1 POSITION, LIF, POS LOCK, .250, W-W INSULATED RECTPT W/BLUNT LEADS, WHITE HSG<br>MATES W/W-W PLUG 01RSFP16K51S |                   |
| DRAWN BY   | ASSEMBLY PART NO.  |                   |
| STEVEN PILKINGTON  | A01RSFR16K51S  |                   |
| CHECKED BY   | DRAWING NO. & REVISION   | REVISED           |
| JUSTIN BAKER   | GAM-115  | 3/11/2016         |

| REV. | DESCRIPTION | DATE | BY |
|------|-------------|------|----|
|      |             |      |    |

4

3

2

1