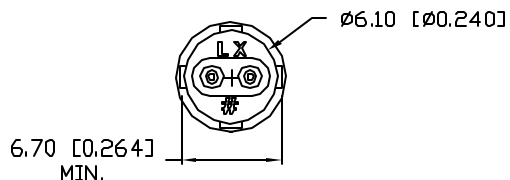
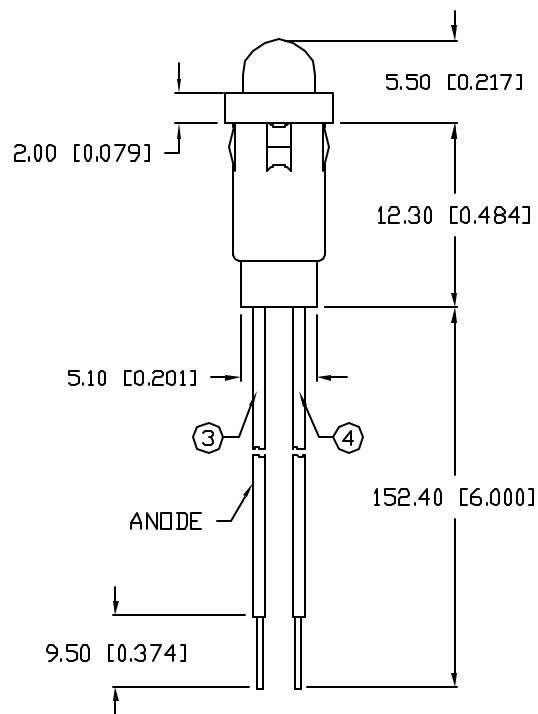
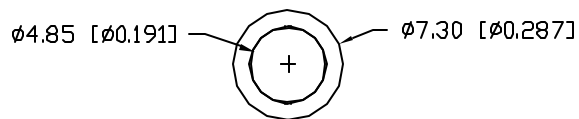
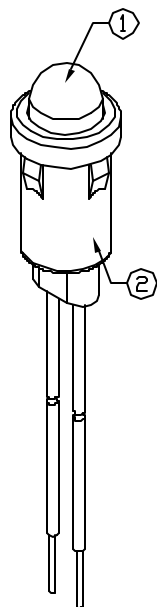


UNCONTROLLED DOCUMENT



PANEL HOLE:  $\varnothing 0.250^*$   
 PANEL THICKNESS: 0.030" MIN.



|                    |                                     |         |
|--------------------|-------------------------------------|---------|
| PART NUMBER        |                                     | REV.    |
| SSI-LXH600GD12V150 |                                     | B       |
| REV.               | E.C.N. NUMBER AND REVISION COMMENTS | DATE    |
| A                  | E.C.N. #10BRDR. & REDRAWN.          | 2.5.99  |
| B                  | E.C.N. #10BRDR. & REDRAWN.          | 7.26.01 |

ELECTRO-OPTICAL CHARACTERISTICS  $T_A=25^{\circ}\text{C}$   $V_f=12\text{V}$

| PARAMETER                         | MIN | TYP  | MAX  | UNITS      | TEST COND            |
|-----------------------------------|-----|------|------|------------|----------------------|
| PEAK WAVELENGTH                   |     | 565  |      | nm         |                      |
| FORWARD VOLTAGE                   |     | 12.0 | 14.0 | $V_f$      |                      |
| REVERSE VOLTAGE                   | 5.0 |      |      | $V_r$      | $I_r=100\mu\text{A}$ |
| AXIAL INTENSITY                   |     | 20   |      | mcd        | $V_f=12\text{V}$     |
| VIEWING ANGLE                     |     | 60   |      | $2x$ theta |                      |
| EMITTED COLOR: GREEN              |     |      |      |            |                      |
| EPOXY LENS FINISH: GREEN DIFFUSED |     |      |      |            |                      |

LIMITS OF SAFE OPERATION AT  $25^{\circ}\text{C}$

| PARAMETER                        | MAX        | UNITS                  |
|----------------------------------|------------|------------------------|
| PEAK FORWARD CURRENT*            | 150        | mA                     |
| STEADY CURRENT                   | 11         | mA                     |
| POWER DISSIPATION                | 310        | mW                     |
| DERATE FROM $25^{\circ}\text{C}$ | -1.2       | mW/ $^{\circ}\text{C}$ |
| OPERATING, STORAGE TEMP.         | -40 TO +85 | $^{\circ}\text{C}$     |
| SOLDERING TEMP.                  | +260       | $^{\circ}\text{C}$     |
| 2.0mm FROM BODY                  |            | 3 SEC. MAX             |

\*  $t < 10\mu\text{s}$

NOTES:

- SSL-LX509F3GD-12V LED.
- SSH-LXH600 HOLDER, BLACK.
- ANODE LEAD: LXP-WST24RDT0C, 24 AWG STRANDED, TOP OVERCOAT, RED INSULATION, CUT 160mm LONG, STRIP 4mm & 9.5mm.
- CATHODE LEAD: LXP-WST24BLT0C, 24 AWG STRANDED, TOP OVERCOAT, BLACK INSULATION, CUT 160mm LONG, STRIP 4mm & 9.5mm.

UNCONTROLLED DOCUMENT

\*UNLESS OTHERWISE SPECIFIED TOLERANCES PER DECIMAL PRECISION ARE: X= $\pm 1$  ( $\pm 0.039$ ), XX= $\pm 0.5$  ( $\pm 0.020$ ), XXX= $\pm 0.25$  ( $\pm 0.010$ ), XXXX= $\pm 0.127$  ( $\pm 0.005$ ). LEAD SIZE= $\pm 0.05$  ( $\pm 0.002$ ), LEAD LENGTH= $\pm 0.75$  ( $\pm 0.030$ ), MIN= $\frac{+DECIMAL PRECISION}{-0.00}$ , MAX= $\frac{+0.00}{-DECIMAL PRECISION}$

|   |                                   |  |  |
|---|-----------------------------------|--|--|
| REV.<br>B   | PART NUMBER<br>SSI-LXH600GD12V150 | <p>CONFIDENTIAL INFORMATION</p> <p>THE INFORMATION CONTAINED IN THIS DOCUMENT IS THE PROPERTY OF LUMEX INC. EXCEPT AS SPECIFICALLY AUTHORIZED IN WRITING BY LUMEX INC, THE HOLDER OF THIS DOCUMENT SHALL KEEP ALL INFORMATION CONTAINED HEREIN CONFIDENTIAL AND SHALL PROTECT SAME IN WHOLE OR IN PART FROM DISCLOSURE AND DISSEMINATION TO ALL THIRD PARTIES.</p> <p>RELIABILITY NOTE</p> <p>OUR MANY YEARS OF EXPERIENCE DATA ACCUMULATION INDICATE THAT SOLDER HEAT IS A MAJOR CAUSE OF EARLY AND FUTURE FAILURE. PLEASE PAY ATTENTION TO YOUR SOLDERING PROCESS.</p> | <p>290 E. HELEN ROAD<br/>                 PALATINE, IL 60067-6976<br/>                 PHONE: +1.847.359.2790<br/>                 US WEB: www.lumex.com<br/>                 TW WEB: www.lumex.com.tw</p> |
| T-5mm (T-1 3/4) LED, PANEL MOUNT INDICATOR,<br>565nm GREEN LED, GREEN DIFFUSED LENS,<br>WITH 6" WIRE LEADS, 12 VOLTS. |                                   | DRAWN BY: gt<br>CHECKED BY:<br>APPROVED BY:  | DATE: 8.10.98<br>PAGE: 1 OF 1<br>SCALE: N/A  |