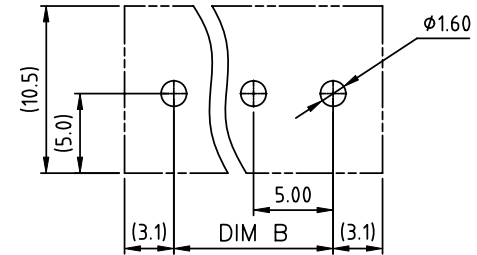
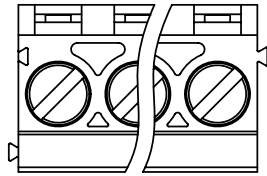
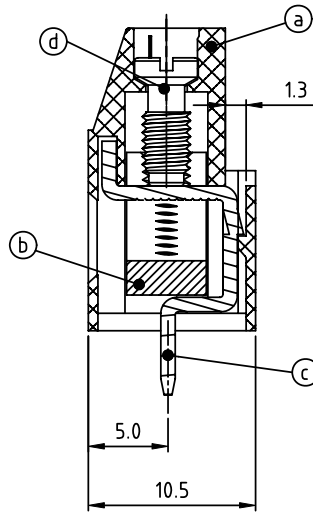
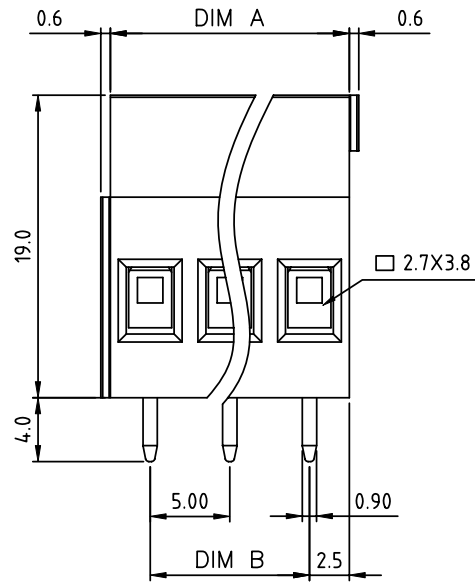


PRODUCT NUMBER	PITCH
VJxx01x500J0G	5.00mm



RECOMMENDED P.C.B LAYOUT
TOP VIEW



SECTION A-A

Material:

- Item (a) Terminal housing: Thermoplastic (UL 94V-0)
- Item (b) Clamp: Brass Ni plated
- Item (c) Solder pin: Brass Tin plated
- Item (d) Terminal screw: Steel Zinc plating"-slot type

Electrical cULus / VDE

- Voltage rating : 300VAC / 450V
- Current rating : 20A / 24A
- Wire range : 0.2-2.5mm²
- Solid wire(AWG) : 12-30
- Stranded wire(AWG) : 12-30
- Torque : 3.5 Lb-In / 0.5 N.m
- Screw: M3
- Wire strip length: 6-7mm
- Withstanding Voltage: 1.6KV / 2.5KV
- Operating temperature: -40°C to +115°C
- Soldering temperature: 260°C±5°C/5 Sec
- Safety Approval:

Dimension A&B

DIM A	Nx5.0
DIM B	(N-1)x5.0

N=Number of poles

Poles	DimA&B Tolerance
4P-8P	±0.15
9P-14P	±0.25
15P-20P	±0.35
21P-24P	±0.40

PART NO.: VJ xx 0 1 x 5 00J0 G

- | | | | |
|--------------|---|-------------------|-----------------|
| Solid block | 0 | Black (RAL9005) | RoHS compliant |
| No. of poles | 2 | Red (RAL3001/D) | (lead<4%) |
| 04 4 poles | 3 | Orange(RAL2011/P) | In copper Alloy |
| 05 5 poles | 4 | Yellow(RAL1018/A) | |
| | 5 | Green(RAL6018/T) | |
| 24 24 poles | 6 | Blue (RAL5015/A) | |
| | 8 | Grey(RAL 7035/D) | |
| | 9 | White(RAL1102) | |
| | C | Green(RAL6018/U) | |

mat'l. code		surface ASME Y14.5	tolerance ASME Y14.5	projection	product family TERMINAL BLOCK
ltr	ecn no	dr	date		title
				MM	TERMINAL BLOCK
				scale	180D WIRE INLET, SOLID BLOCK
		dr	EVIN ZHONG 040914		dwg no
		enr	EVIN ZHONG 040914		sheet 1 of 1
		chr	HANKE FENG 040914		size
		appd	SHI JUN 040914		A4
sheet index	revision	A		type	CUSTOMER Drawing
	sheet	1			