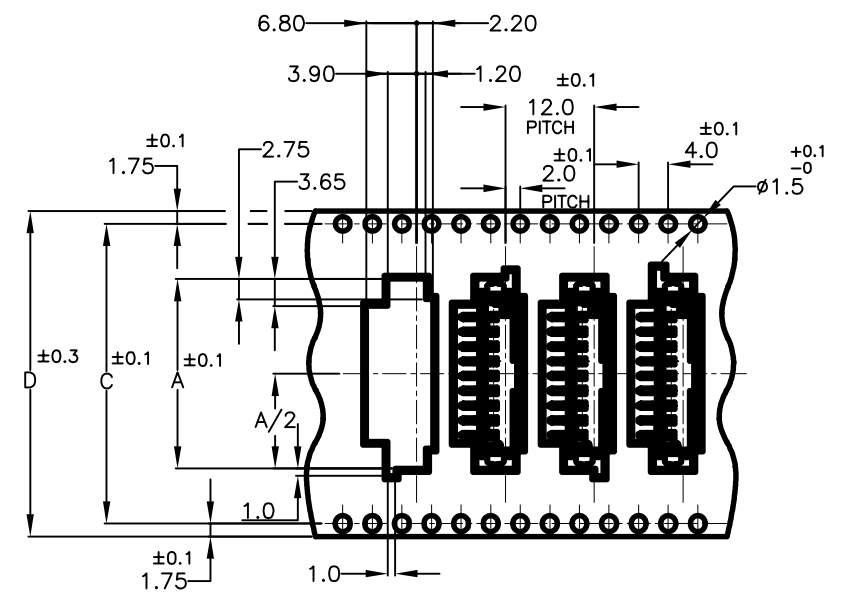
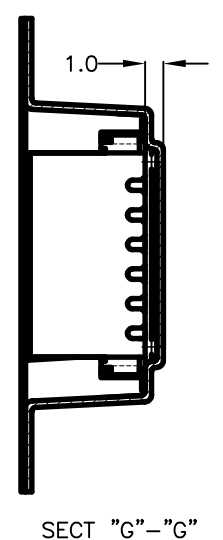
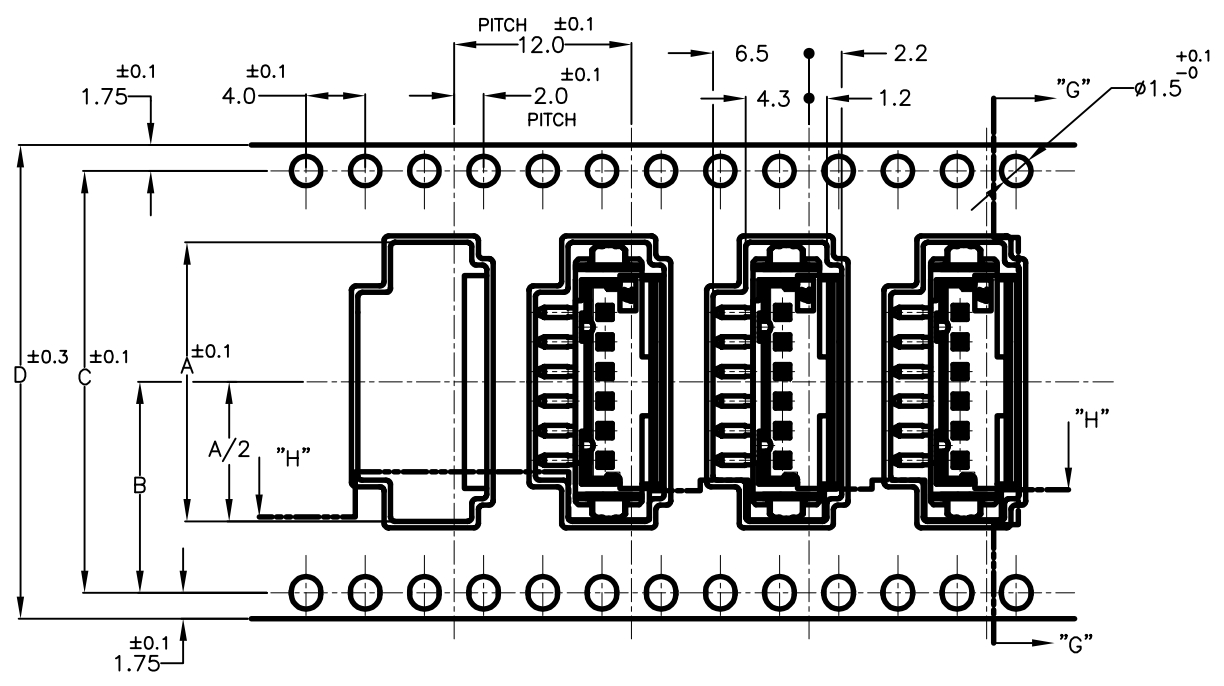


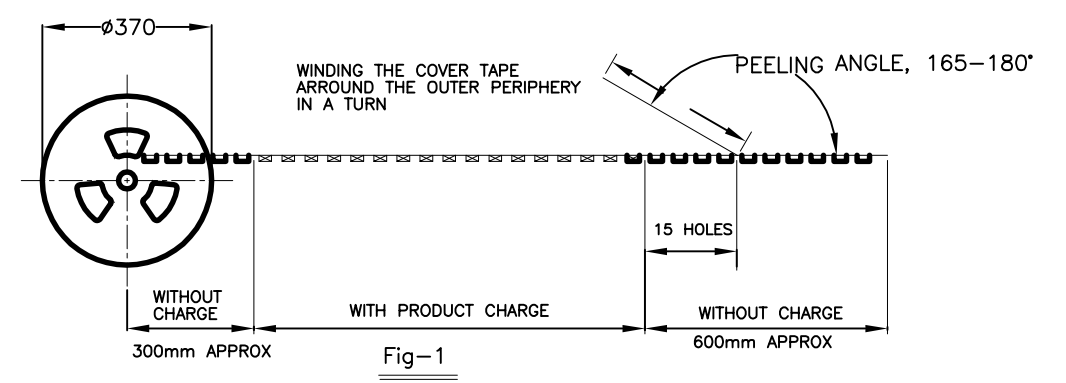
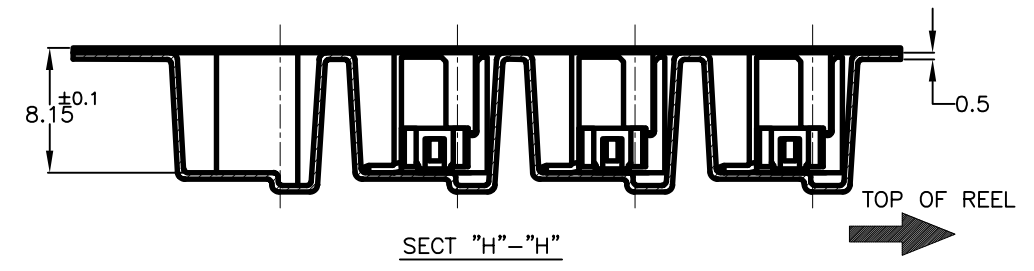
THIS DRAWING IS UNPUBLISHED. RELEASED FOR PUBLICATION
 © COPYRIGHT BY TYCO ELECTRONICS CORPORATION. ALL RIGHTS RESERVED.

LOC	DIST	REVISIONS					
ES	00	P	LTR	DESCRIPTION	DATE	DWN	APVD
		B1		REVISED ECR-10-019029	19SEP10	J.H	S.Y

(AS SHOWN : -6)



9P ONLY



BLACK		44.0	40.50	20.25	25.60	9	2-292175-9	
		44.0	40.4	20.2	22.9	8	2- -8	
		32.0	28.4	14.2	20.9	7	2- -7	
		32.0	28.4	14.2	18.9	6	2- -6	
		32.0	28.4	14.2	16.9	5	2- -5	
		32.0	28.4	14.2	14.9	4	2- -4	
		32.0	28.4	14.2	12.9	3	2- -3	
WITH		32.0	28.4	14.2	10.9	700	2 2-292175-2	
NATURAL		44.0	40.50	20.25	25.60	9	292175-9	
		44.0	40.4	20.2	22.9	8	-8	
		32.0	28.4	14.2	20.9	7	-7	
		32.0	28.4	14.2	18.9	6	-6	
		32.0	28.4	14.2	16.9	5	-5	
		32.0	28.4	14.2	14.9	4	-4	
		32.0	28.4	14.2	12.9	3	-3	
WITH		32.0	28.4	14.2	10.9	700	2 292175-2	
COLOR	PLATE	D	C	B	A	QTY/REEL	POS	TAPING P/N

NOTES:
 1. PEELING RESISTANCE: 0.196N(20gf)-0.686N(70gf)
 SPEED: 300mm/min

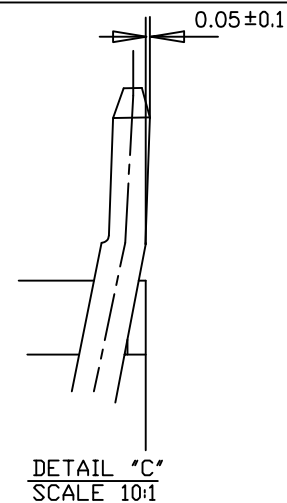
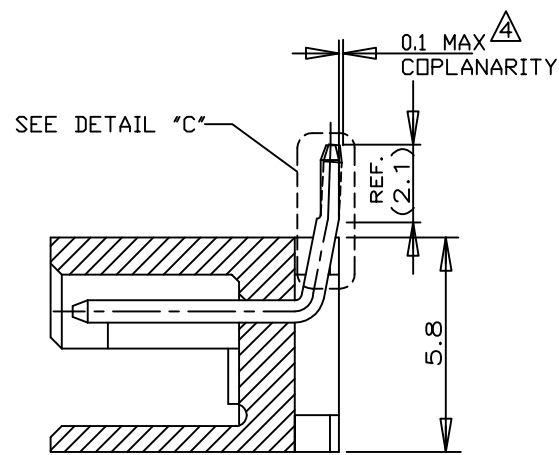
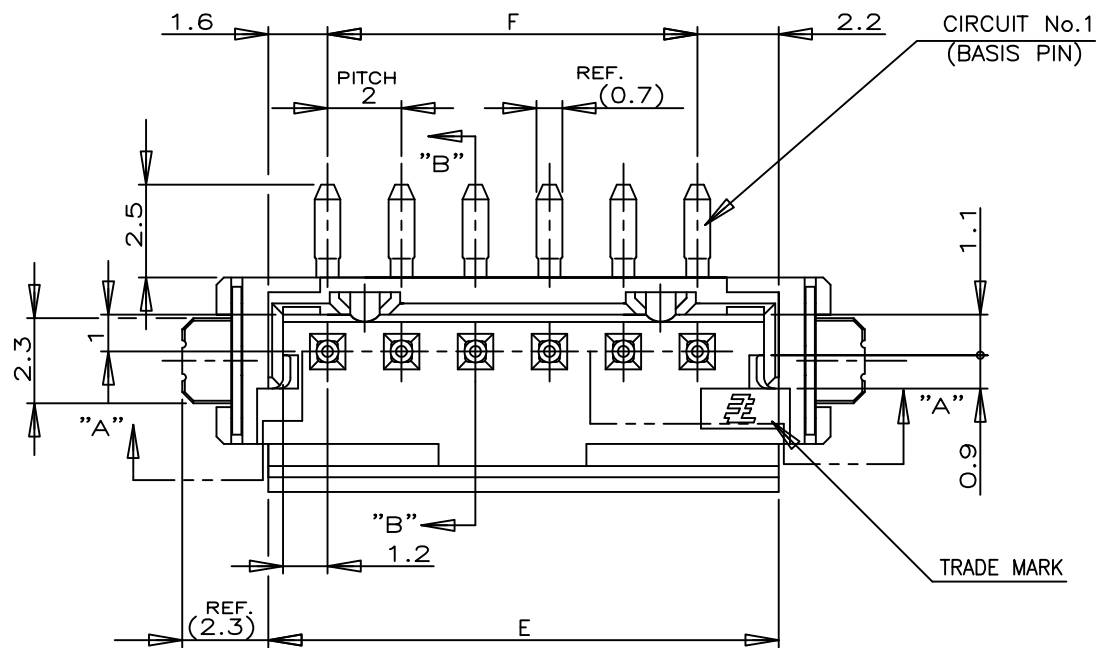
TOLERANCE UNLESS OTHERWISE SPECIFIED	
10>* : ±0.2	
30>* >10 : ±0.25	
100>* >30 : ±0.3	
ANGLE : ±3°	

THIS DRAWING IS A CONTROLLED DOCUMENT.

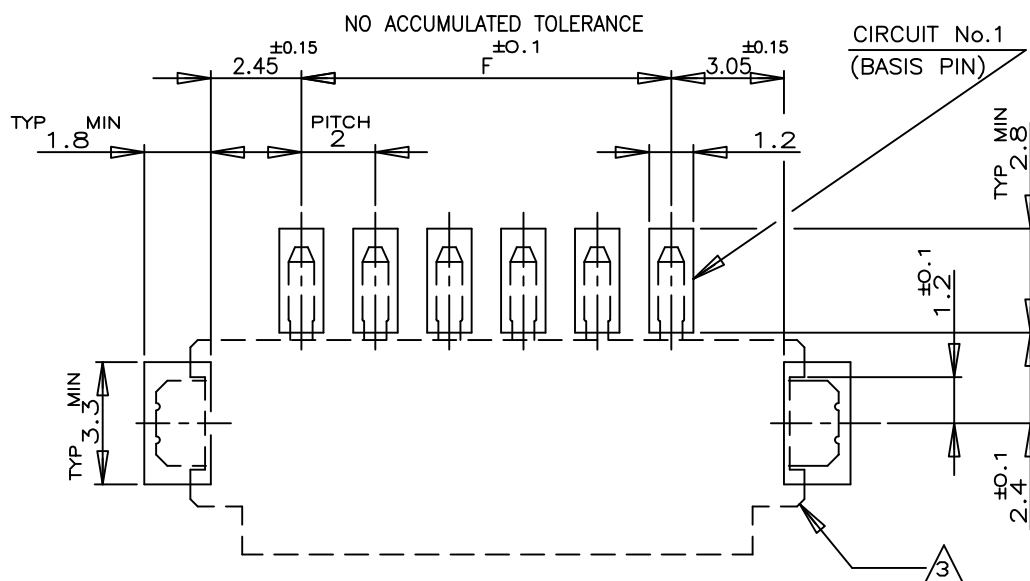
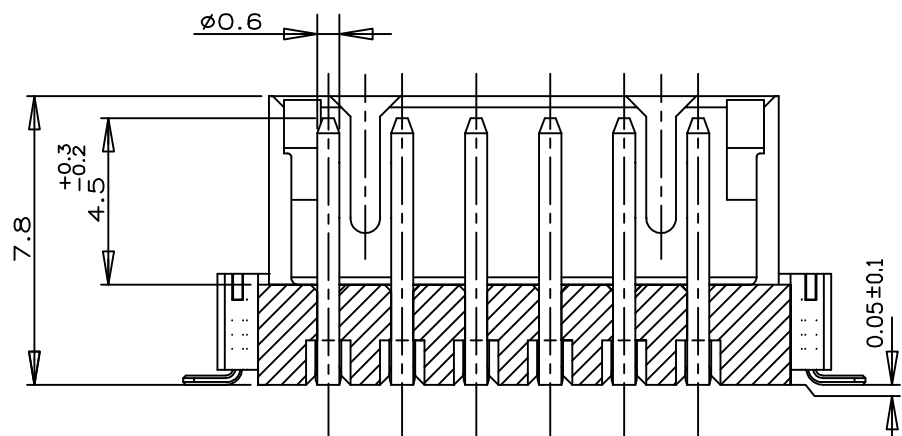
DWN	JACH HOU	19SEP10	Tyco Electronics Corporation Shanghai, P.R.China,200233
CHK	MARTIN LI	19SEP10	
APVD	STEVEN YAO	19SEP10	
PRODUCT SPEC	108-60016		
APPLICATION SPEC			NAME
WEIGHT			ON TAPING (EMBOSS) TE CT CONNECTOR POST HEADER ASS'Y (BOX-V SMT W/O BOSS & W/TAI)
CUSTOMER DRAWING	SCALE	SHEET	RESTRICTED TO
	++	1 OF 2	-

THIS DRAWING IS UNPUBLISHED. RELEASED FOR PUBLICATION
 © COPYRIGHT BY TYCO ELECTRONICS CORPORATION. ALL RIGHTS RESERVED.

LOC	DIST	REVISIONS					
ES	00	P	LTR	DESCRIPTION	DATE	DWN	APVD
		-	-	SEE SHEET 1	-	-	-

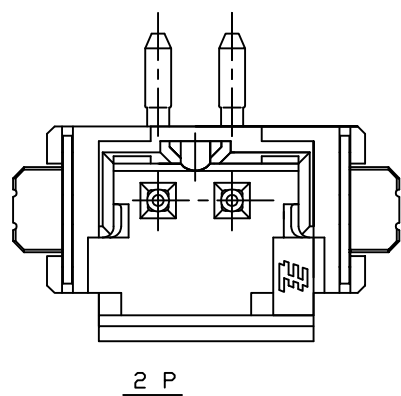
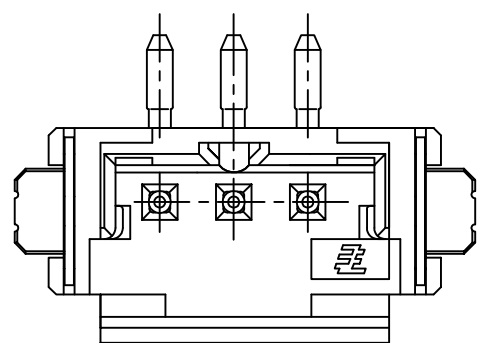


NOTES;
 2. MATERIAL:HSG-6T PA(G.F.30%)(UL94V-0)
 COLOR:NATURAL,BLACK
 POST:TIN BRASS
 TAIL: TIN BRASS
 △ OCCUPANT AREA ON PC BOARD
 △ TO BE MEASURED WITH CONNECTOR PLACED ON HORIZONTAL DATUM SURFACE,FLOAT OF SOLDER TINE AND TAIL FROM DATUM SURFACE IS 0.1mm MAX



RECOMENOED P.C.BOARD LAYOUT
 (P.C.B THK:0.8mm MIN)

16.0	19.8	9	2-292175-9	292175-9
14.0	17.8	8	2-▲-8	▲-8
12.0	15.8	7	2-▲-7	▲-7
10.0	13.8	6	2-▲-6	▲-6
8.0	11.8	5	2-▲-5	▲-5
6.0	9.8	4	2-▲-4	▲-4
4.0	7.8	3	2-▲-3	▲-3
2.0	5.8	2	2-292175-2	292175-2
F	E	POS.	BLACK	NATURAL
P/N				



TOLERANCES UNLESS OTHERWISE SPECIFIED:
 10** : ±0.2
 30**>10 : ±0.25
 100**>30 : ±0.3
 ANGEL : ±3°

THIS DRAWING IS A CONTROLLED DOCUMENT.		DWN	-	Tyco Electronics Corporation Shanghai, P.R.China,200233	
DIMENSIONS: MM		CHK	-		
TOLERANCES UNLESS OTHERWISE SPECIFIED:		APVD	-	NAME ON TAPING (EMBOSS) SMT TYPE POST HDR ASS'Y(V) W/O BOSS & WITH TAIL TYPE	
0 PLC ±- 1 PLC ±- 2 PLC ±- 3 PLC ±- 4 PLC ±- ANGLES ±-		PRODUCT SPEC	108-60016		
MATERIAL		APPLICATION SPEC	-	SIZE	A3
SEE NOTE		WEIGHT	-	CAGE CODE	00779
		CUSTOMER DRAWING	-	DRAWING NO	C=292175
		SCALE	5:1	SHEET	2 OF 2
		REV	B1	RESTRICTED TO	