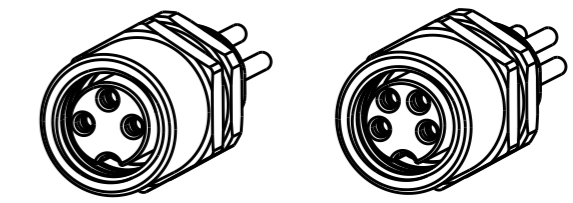
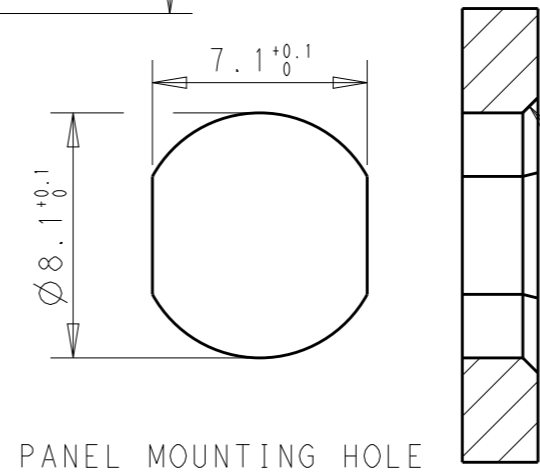
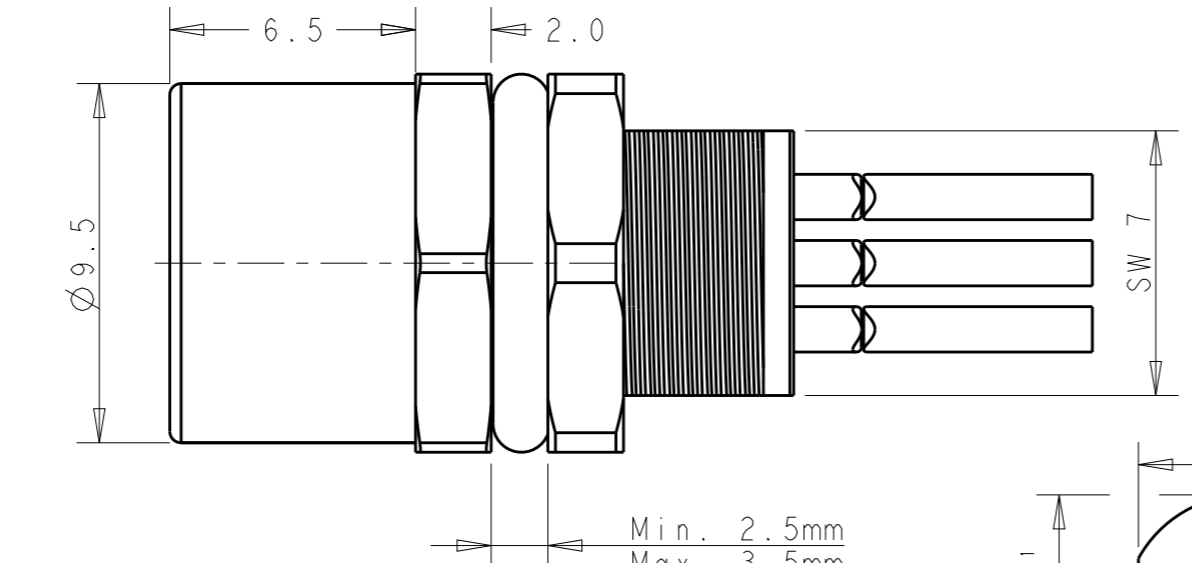
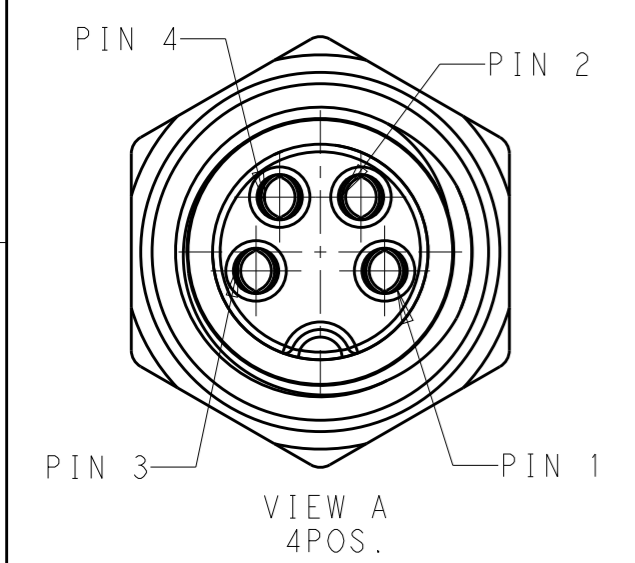
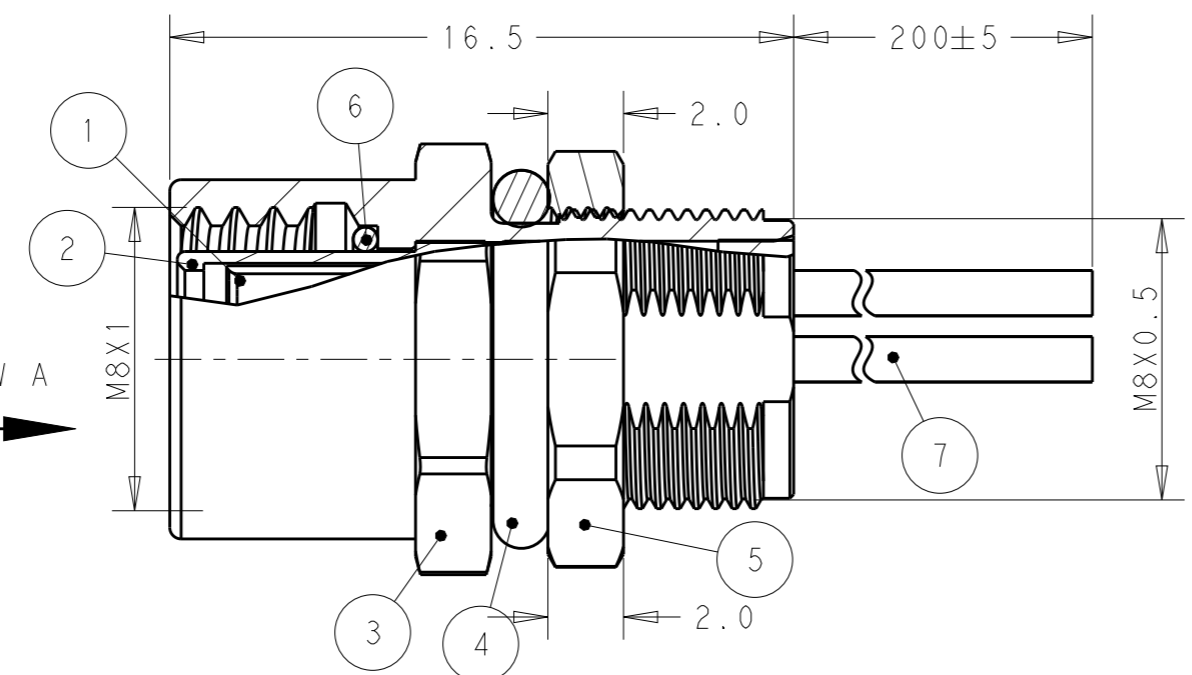
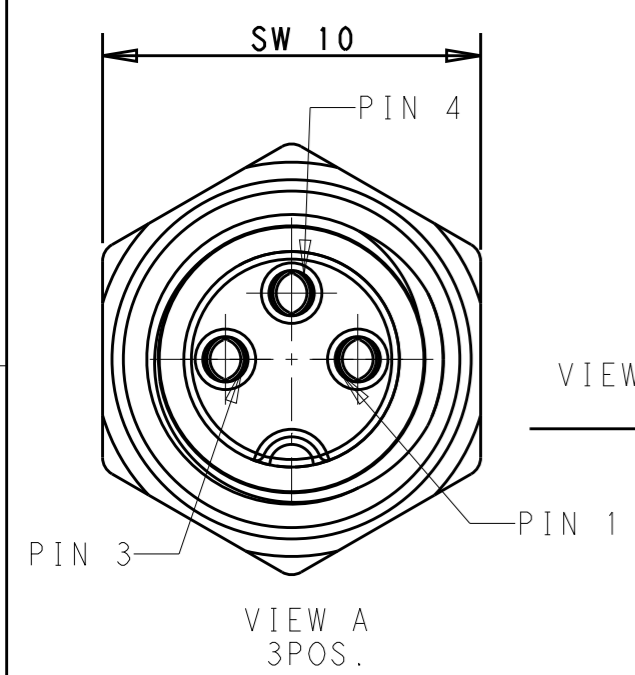


THIS DRAWING IS UNPUBLISHED. RELEASED FOR PUBLICATION 20
 © COPYRIGHT 20 BY - ALL RIGHTS RESERVED.

REVISIONS					
P	LTR	DESCRIPTION	DATE	DWN	APVD
	A	INITIAL RELEASE	23NOV2016	N.P	X.X



NOTES:

1. TECHNICAL DATA: SEE TABLE 1
2. THE RELATION BETWEEN WIRE COLOR AND PIN IS: PIN1 BROWN; PIN2 WHITE; PIN3 BLUE; PIN4 BLACK;
3. -00X: CABLE LENGTH. -001: 0.2m; -002: 0.5m; -003: 1.0m; -004: 1.5m; -005: 3m; -006: 5m;
4. IF CUSTOMER NEED OTHER CABLE LENGTH, PLEASE CONTACT TE PRODUCT MANAGER OR SALES FOR HELP.
5. ALL PRODUCT MUST COMPLIANCE WITH ROHS AND REACH.

注意事项

1. 技术参数：见表1
2. PIN数与线颜色的关系是：PIN1棕色线，PIN2白色线，PIN3蓝色线，PIN4黑色线；
3. -00X，X为线长，-001: 0.2m; -002: 0.5m; -003: 1.0m; -004: 1.5m; -005: 3m; -006: 5m;
4. 如果客户需要定制别的长度，请联系TE销售或者产品经理；
5. 产品必须符合ROHS与REACH.

TABLE 1

TECHNICAL DATA	T4073014031-00X	T4073014041-00X
RATED IMPULSE VOLTAGE	1500V	800V
RATED VOLTAGE	60V	30V
RATED CURRENT	3A	
POLLUTION DEGREE	3	
OVERVOLTAGE CATEGORY	II	
MATERIAL GROUP	II	
DEGREE OF PROTECTION	IP67	
TEMPERATURE	-40°C~85°C	

MATERIAL	DESCRIPTION	ITEM
RUBBER	O-RING	7
COPPER ALLOY	NUT	6
RUBBER	O-RING	4
COPPER ALLOY	BODY NUT	3
PA66 UL94 V0	HOUSING	2
COPPER ALLOY	CONTACT	1

TYPE	POS.	PART NUMBER
RPC-M8-FB-4CON-M8-0.2LA	4	T4073014041-001
RPC-M8-FB-3CON-M8-0.2LA	3	T4073014031-001

THIS DRAWING IS A CONTROLLED DOCUMENT.

DWN Nick Pan 04AUG2016
 CHK Kobby Zhao 04AUG2016
 APVD Xiang Xu 04AUG2016

PRODUCT SPEC 108-106140
 APPLICATION SPEC 114-137144-1

WEIGHT -

CUSTOMER DRAWING

DIMENSIONS:	TOLERANCES UNLESS OTHERWISE SPECIFIED:
mm	
0 PLC	±
1 PLC	±0.25
2 PLC	±0.15
3 PLC	±
4 PLC	±
ANGLES	±

MATERIAL TBD material_2
 FINISH - finish_spec_2

TE TE Connectivity

NAME M8 PANEL CONNECTOR FEMALE SIDE WITH WIRE, FRONT MOUNTING

SIZE	CAGE CODE	DRAWING NO	RESTRICTED TO
A3	-	©-T40730140X100X	-

SCALE 5:1 SHEET 1 OF 1 REV A