

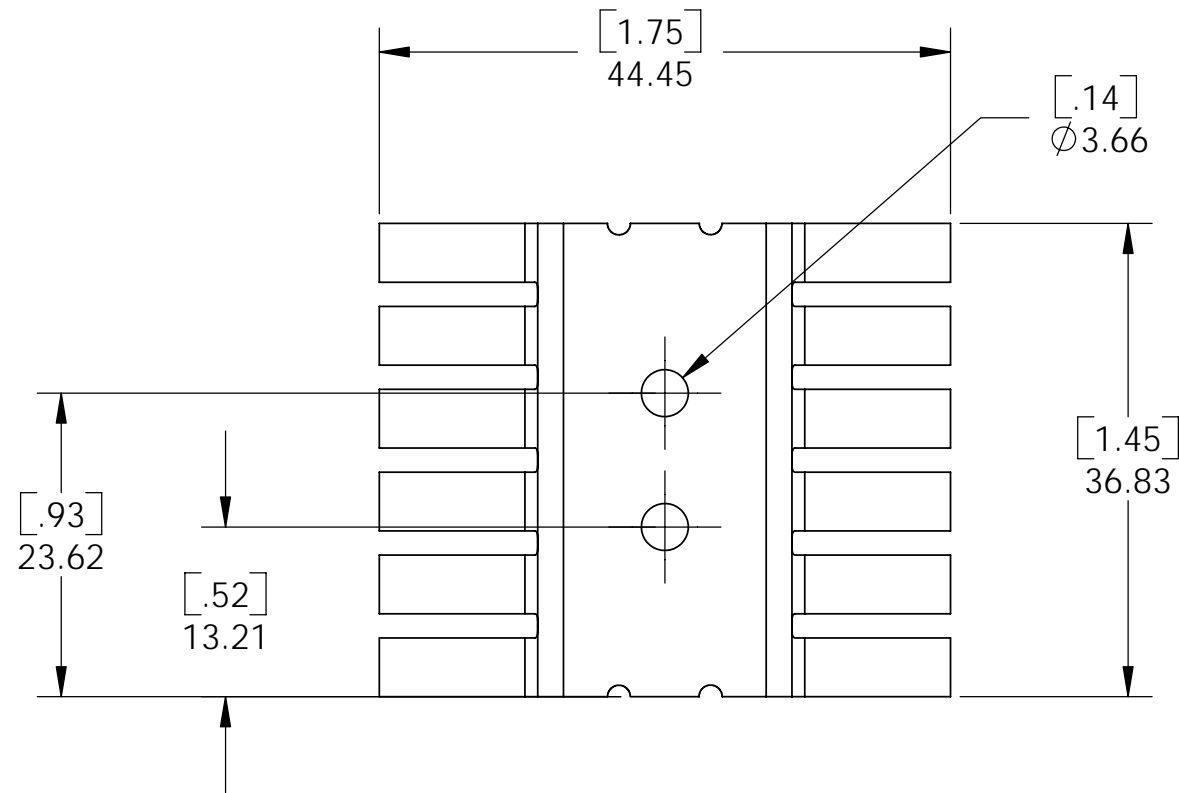
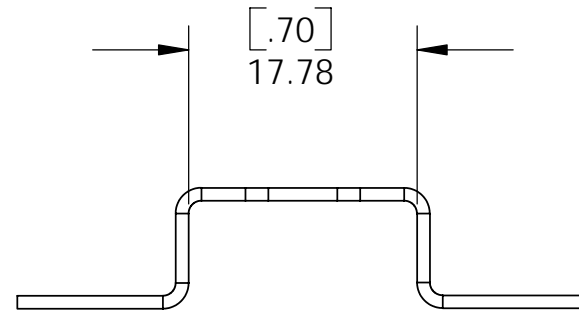
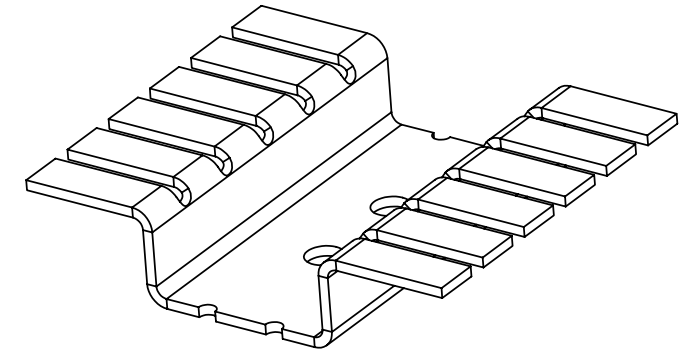
NOTES: (UNLESS OTHERWISE SPECIFIED)

1. PHYSICAL PROPERTIES

MATERIAL : ALUMINUM
MASS : .010 LBS (4.51 GRAMS)
SURFACE AREA : 6.10 SQ INCHES (39.33 SQ CM)
MATERIAL THICKNESS: .039 INCHES [1.0 MM]

2. FINISH : BLACK ANODIZE

3. THIS PART IS RoHS COMPLIANT



AVAILABLE ACCESSORIES

HOLE PATTERN

	PART NUMBER: 824302B00000	
TOLERANCE UNLESS OTHERWISE SPECIFIED 2 PL. DEC. + .030 [7.62] 3 PL. DEC. + .02 [5.08] ANGULAR + 30' SURFACE $\sqrt{32}$	DESCRIPTION: CHANNEL HEAT SINK	REV: B
AMERICAN PROJECTION 	Uncontrolled Drawing	