

form A3

1

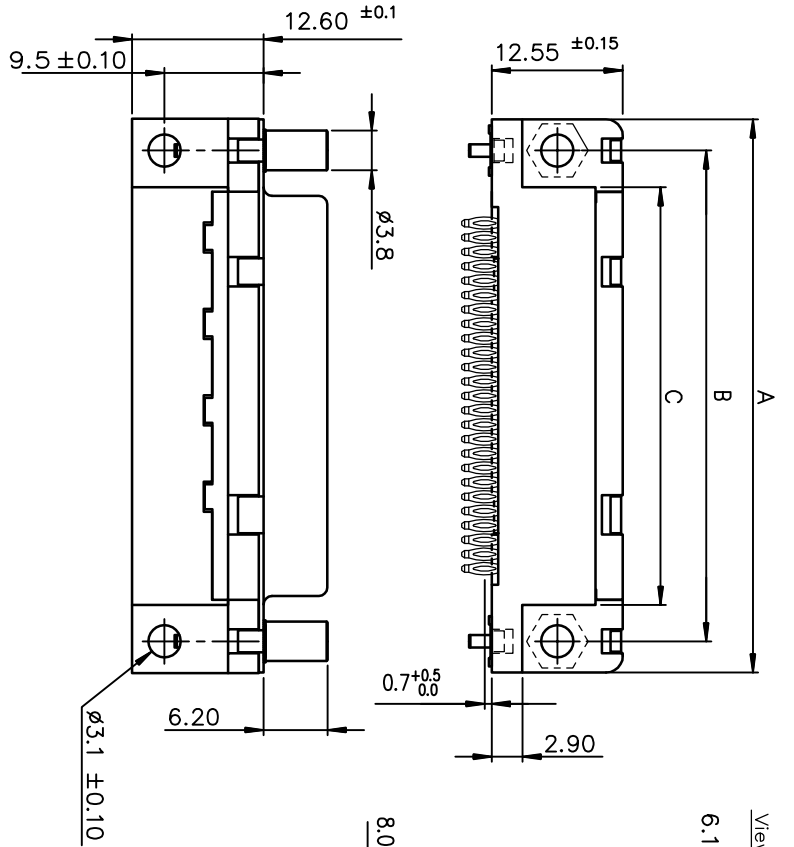
2

3

4

5

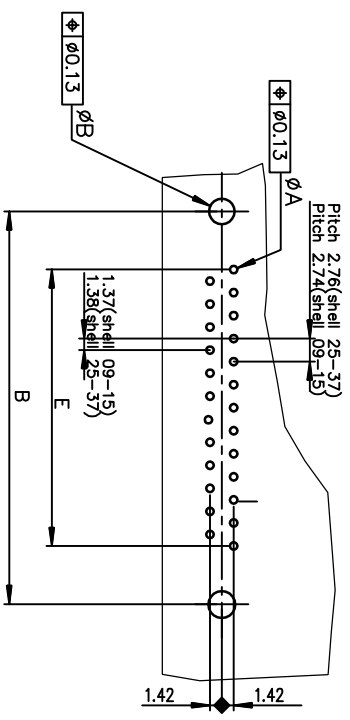
6



View shown without grounding

Threaded ØT

PC card drilling dimensions(after plating)  
(thickness 1.60 ±0.25 mm)



SHELL	A±0.38	B±0.12	C±0.10	D±0.6	E±0.07
09	30.81	24.99	18.00	16.21	10.98
15	39.14	33.32	26.32	24.54	19.18
25	53.03	47.04	40.04	38.25	33.12
37	69.32	63.50	56.50	54.71	49.68

TIN LEAD	TIN LEAD	TIN LEAD	TIN LEAD	LEAD FREE	LEAD FREE	LEAD FREE	LEAD FREE
PART NUMBER	PART NUMBER	PART NUMBER	PART NUMBER	PART NUMBER	PART NUMBER	PART NUMBER	PART NUMBER
D09S80C4U*00	D09S80C6U*00	D09S80C8U*00	D09S80C4U*00	D09S80C6U*00	D09S80C8U*00	D09S80C4U*00	D09S80C6U*00
D15S80C4U*00	D15S80C6U*00	D15S80C8U*00	D15S80C4U*00	D15S80C6U*00	D15S80C8U*00	D15S80C4U*00	D15S80C6U*00
D25S80C4U*00	D25S80C6U*00	D25S80C8U*00	D25S80C4U*00	D25S80C6U*00	D25S80C8U*00	D25S80C4U*00	D25S80C6U*00
D37S80C4U*00	D37S80C6U*00	D37S80C8U*00	D37S80C4U*00	D37S80C6U*00	D37S80C8U*00	D37S80C4U*00	D37S80C6U*00
Gold flash	0.76 > gold	1.25 > gold	Gold flash	0.76 > gold	1.25 > gold	Gold flash	0.76 > gold

Threaded ØT M3 = I  
Threaded ØT 4.40 = V

GENERAL CHARACTERISTICS AND ROHS INFORMATIONS:  
SEE DRAWING C01-8646-0001

mat'l. code	ISO 1302	tolerance	ISO 406	ISO 1001	projection	product family	D-SUB
lfr ecn no	dr date	ISO 1302	tolerance	ISO 406	ISO 1001	product family	D-SUB
G	EU-17889	MP	2014/06/06	0.00±0.1	MM	product family	D-SUB
angles	linear	0.00±0.1	scale	2:1	projection	product family	D-SUB
dr	PESSON	1995/10/30	scale	2:1	projection	product family	D-SUB
engr	WITHUN PAUL	2014/06/06	scale	2:1	projection	product family	D-SUB
chr	ALAS BABU	2014/06/06	scale	2:1	projection	product family	D-SUB
appd	BIJU K PAUL	2014/06/06	scale	2:1	projection	product family	D-SUB
sheet	revision	G	dwg no	C01-8646-0432	sheet 1 of 1	size	A3
index	sheet	1	type	Product Customer Drawing			