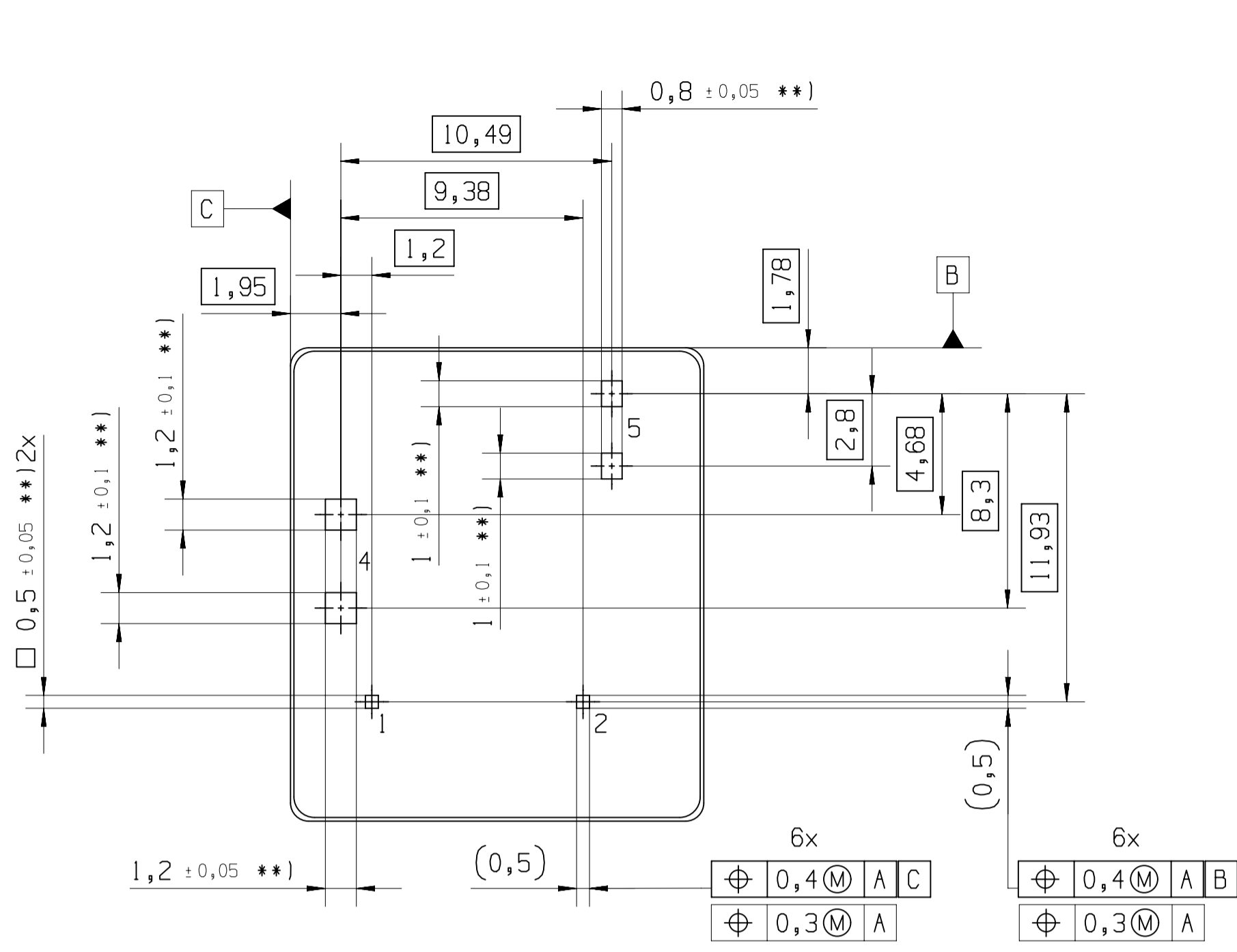
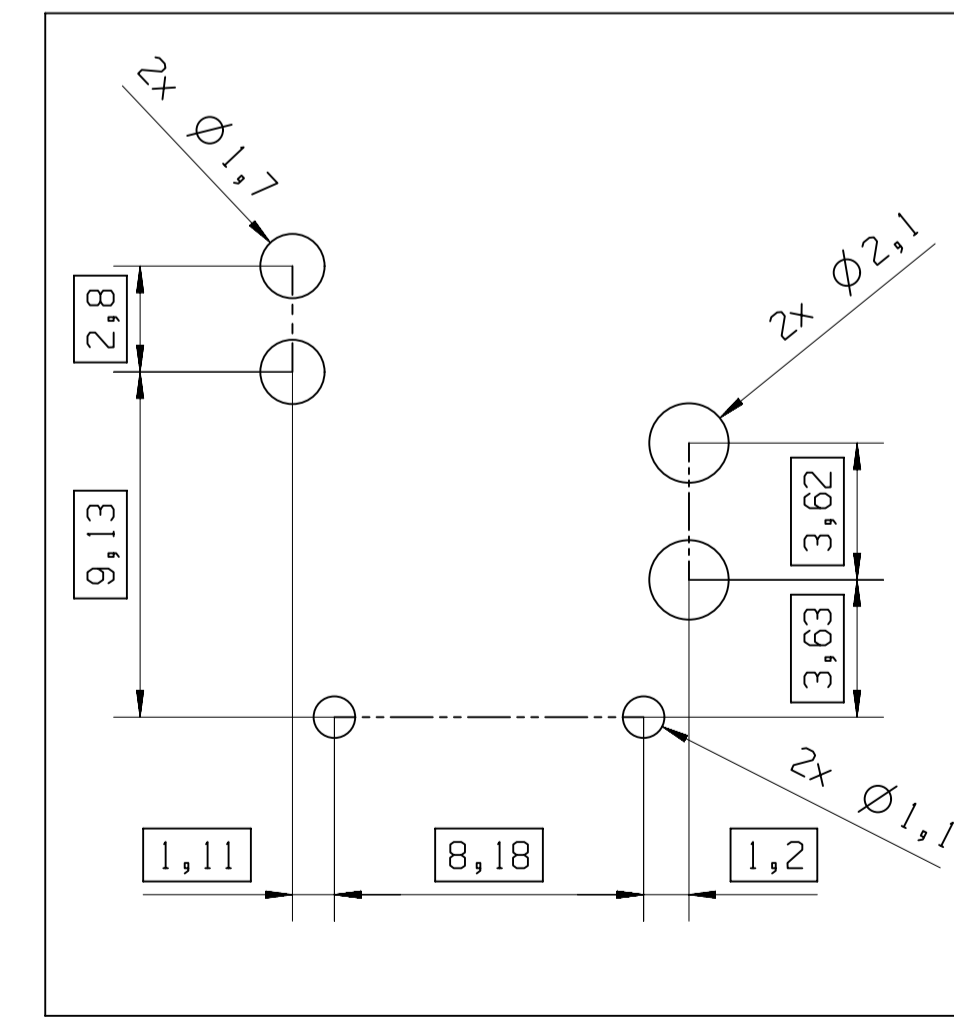
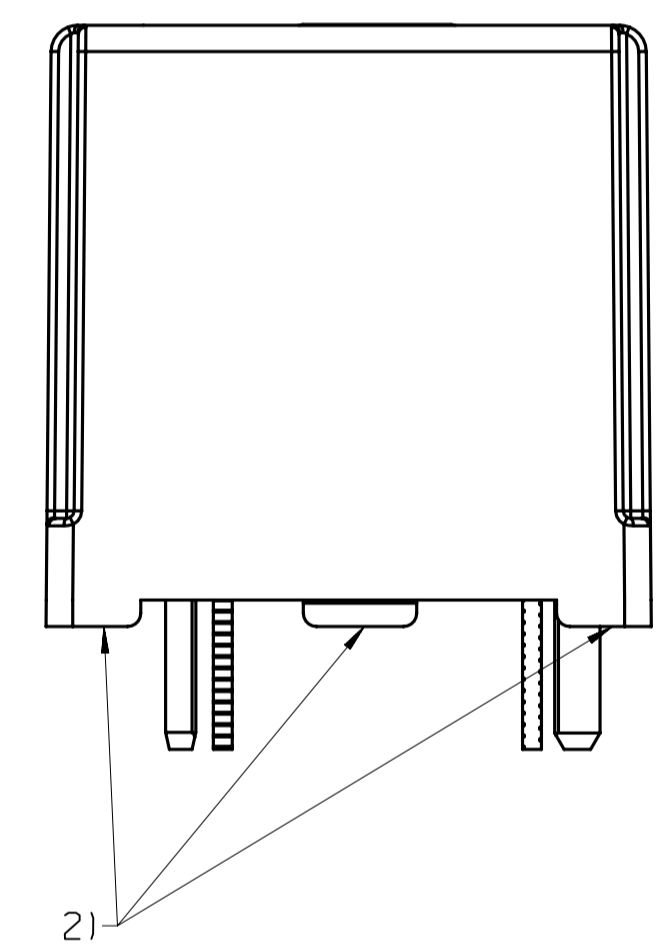
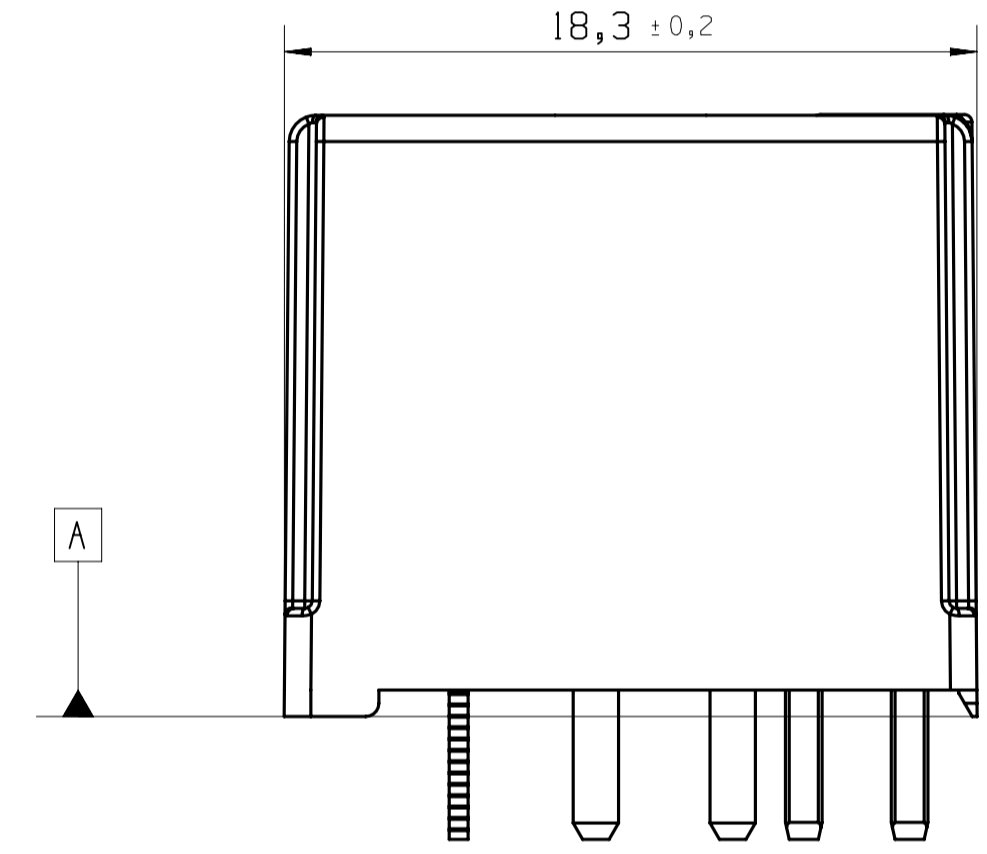
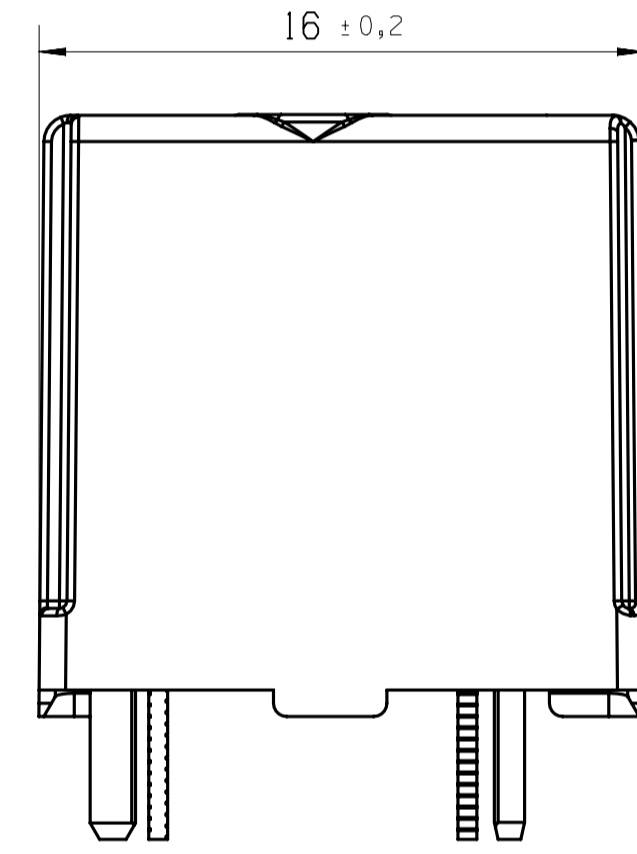
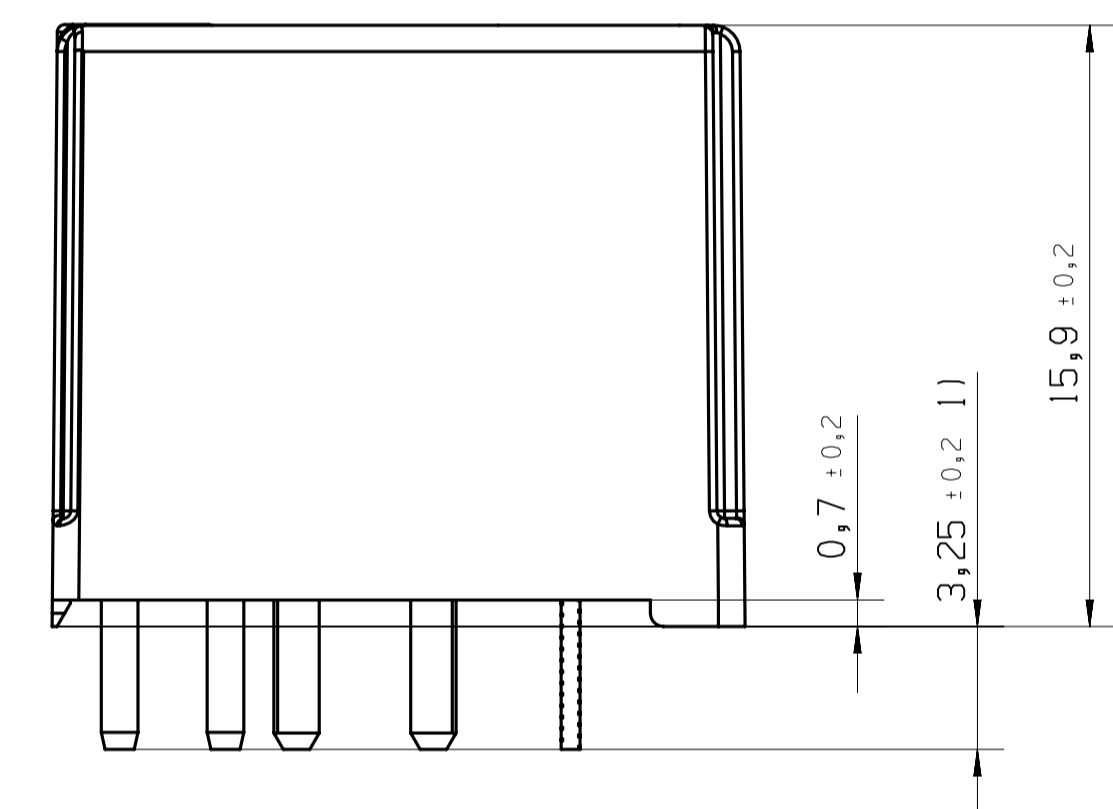
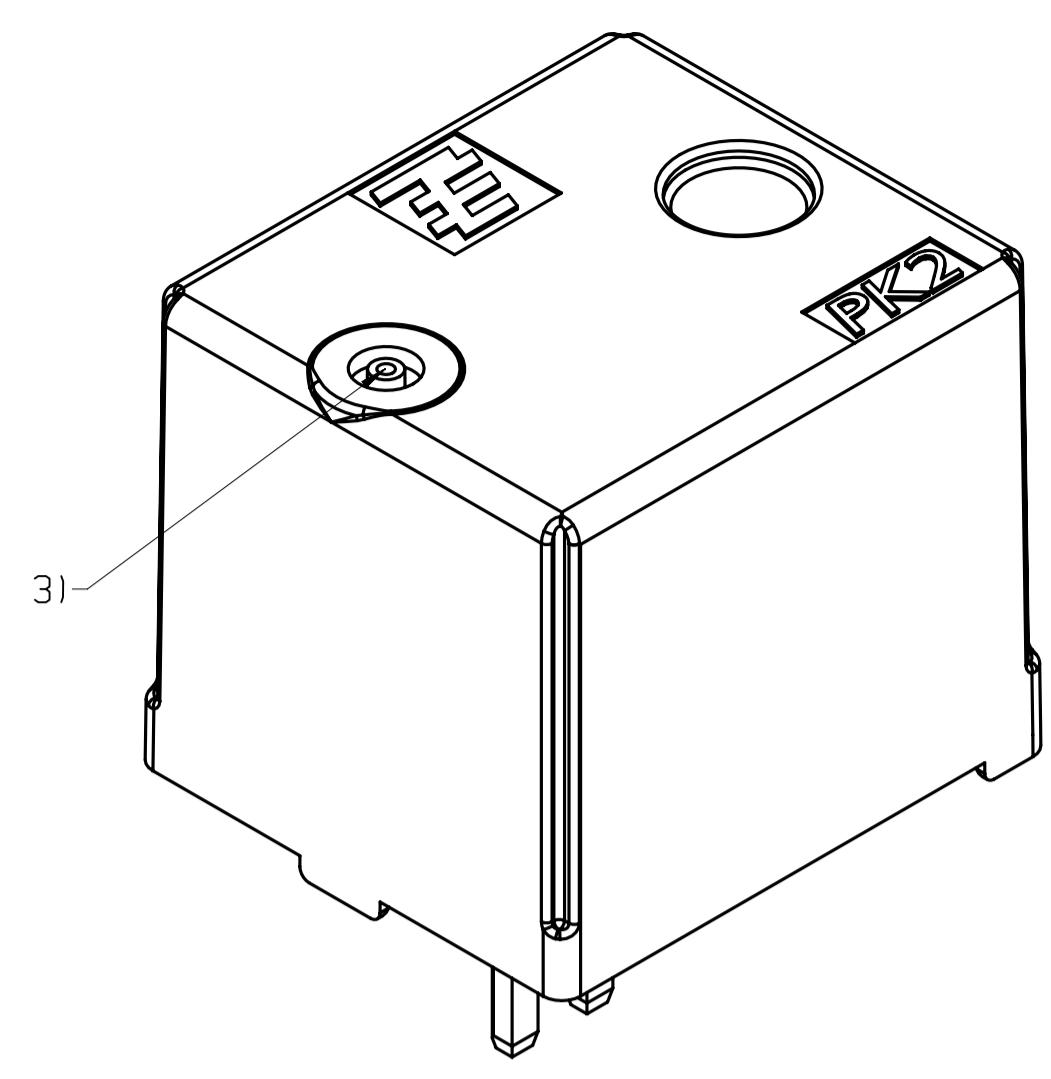
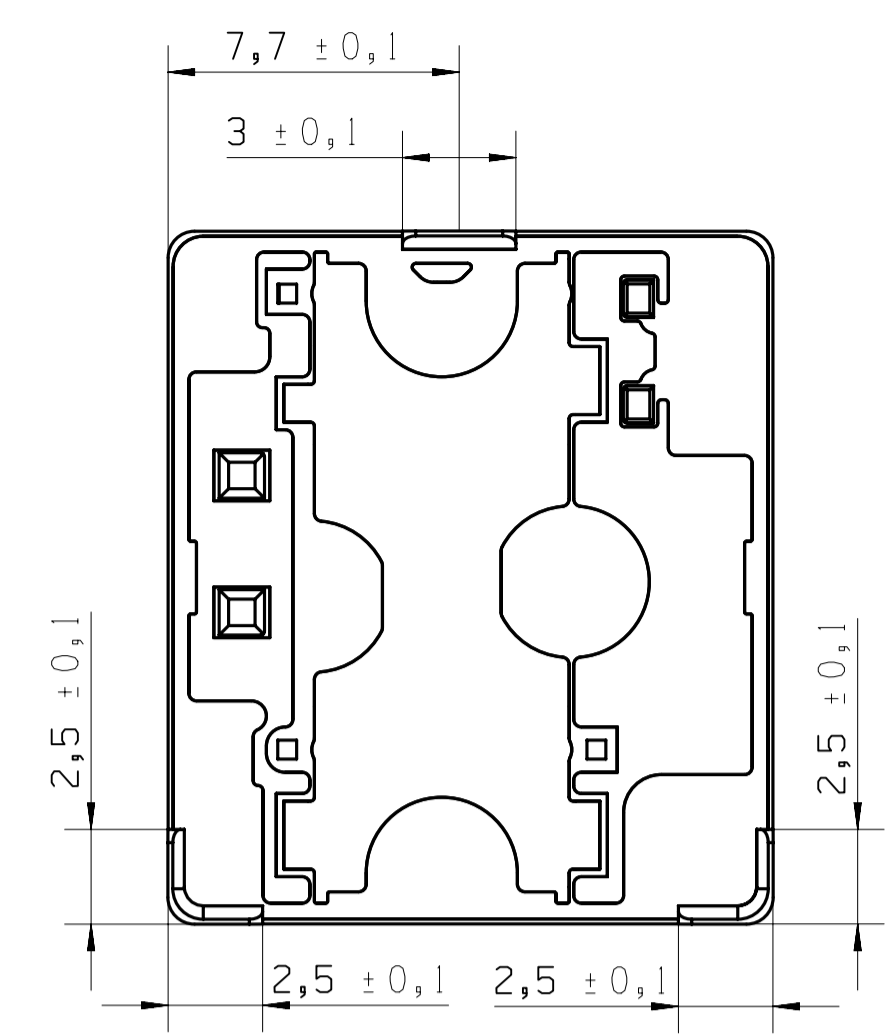


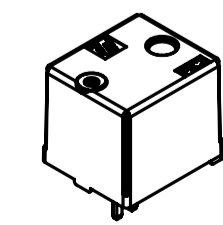
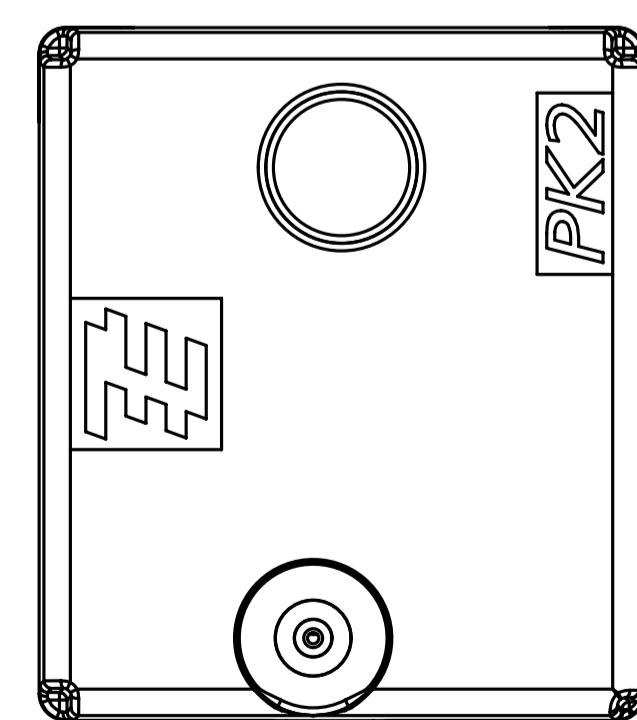
Pinning



Remark: Positional tolerances acc. to DIN EN ISO 5458
 **) without tinning (hot dip)



Gauge dimensions for tinned relay



1:1

| PART NUMBER | DESCRIPTION | VENT HOLE | STATUS |
|-------------|-------------------|------------------|------------|
| 5-1414782-7 | V23201-C1001-A502 | Vent hole closed | Restricted |
| 7-1904100-8 | V23201-C1001-A512 | Vent hole closed | New PN |
| 6-1414932-3 | V23201-R1005-A502 | Vent hole open | Restricted |
| 7-1904107-4 | V23201-R1001-A512 | Vent hole open | New PN |

1) Pin length without tin, with tin max. 4,25 mm
 2) Stand off surface free of epoxy and tin

| | | | | |
|---------------------------------------------------------------------------------------------------------------------------------------------------------------------------------------------------------------------------------------------------------------------------------------------------------|--|--------------------------------------------------|--|------------------|
| PROPRIETARY THE REPRODUCTION, TRANSMISSION OR USE OF THIS DOCUMENT OR ITS CONTENTS IS NOT PERMITTED WITHOUT EXPRESSED WRITTEN AUTHORITY. OFFENDERS WILL BE LIABLE FOR ALL DAMAGES. ALL RIGHTS, INCLUDING RIGHTS CREATED BY REGISTERED PATENT(S) GRANTED FOR A UTILITY MODEL OR DESIGN, ARE RESERVED. | | CHANGES TO THIS DRAWING MUST BE DONE ONLY IN CAD | | PAPER SIZE A1 |
| APPLICABLE SPEC.: | | FINISH: | | |
| DIMENSIONS UNLESS SPECIFIED OTHERWISE 150 2768-mk | | DIMENSIONS APPLY PLATING | | |
| SCALE 5:1 | | WEIGHT: | | |
| MATERIAL: | | PART NAME: | | |
| PK2 RELAY COMPL MONO | | DWG NO.: | | |
| C23303-A0201-A001 | | SHEET: | | |
| CUSTOMER DRAWING | | 1 OF 1 | | |