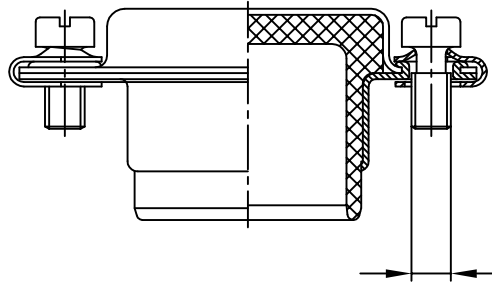
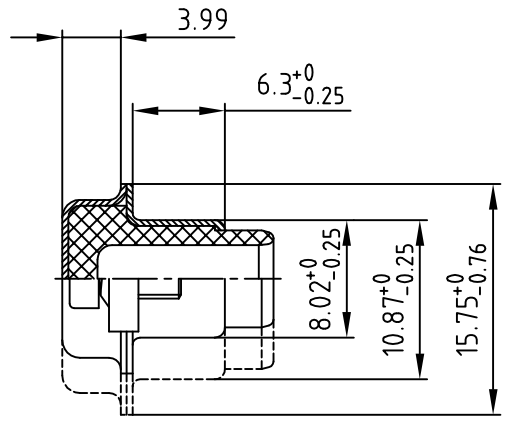
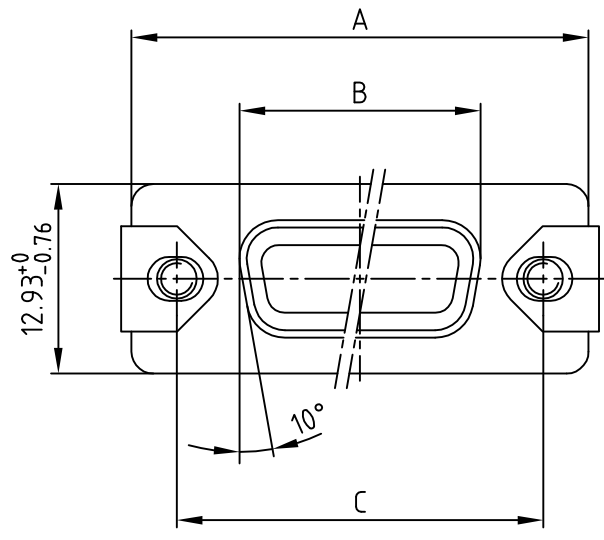


4 3 2 1 used for: D-SUB



4-40 UNC

NOTES:

- Ⓒ 1. METALSHELLS: COPPER ALLOY;
min. 315µin TIN over 40-80µin Nickel
- 2. INSULATORS: TPE
- Ⓒ 3. CLAMPS: STAINLESS STEEL
- Ⓒ 4. SCREWS: STAINLESS STEEL

Directive 2002/95/EC RoHS compliant

Shellsize	A -0.76	B -0.25	C	Part No: Bulk package	Part No: Ⓒ Single package
1	31.19	16.46	25.00 ^{+0.12} / _{-0.13}	165X14769X	165X14769XE
2	39.52	24.79	33.30 ^{+0.15} / _{-0.1}	165X14779X	165X14779XE
3	53.42	38.50	47.04 ±0.13	165X14789X	165X14789XE
4	69.70	54.96	63.50 ±0.13	165X14799X	165X14799XE
5	67.31	52.55	61.10 ^{+0.14} / _{-0.11}	165X14809X	165X14809XE

THIS DRAWING MAY NOT BE COPIED OR REPRODUCED IN ANY WAY, AND MAY NOT BE PASSED ON TO A THIRD PARTY WITHOUT WRITTEN PERMISSION. OWNERSHIP AND COPYRIGHT OF CONEC GmbH DO NOT ALTER CAD DRAWING BY HAND

tolerance					
2001	date	name	title: HOOD 9-50pos. for plug connector water resistant, shielded for EMI/RFI		
drawn	10.09.	E. Mickenbecker			
appd.	10.09.	A. Mickenbecker			
norm	DIN 41652				
3 x c	Ä4329	11.06.2012	K.H.	d-old	dwg no: AutoCAD 2000 16K1A290A part no: SEE TABLE
1 x b	Ä4033	30.06.2011	K.H.		
a	Original				
rev.	description	date	name		

scale:	2:1
material:	SEE NOTES
title:	HOOD 9-50pos. for plug connector water resistant, shielded for EMI/RFI
dwg no:	AutoCAD 2000
	16K1A290A
part no:	SEE TABLE

4 3 2 1