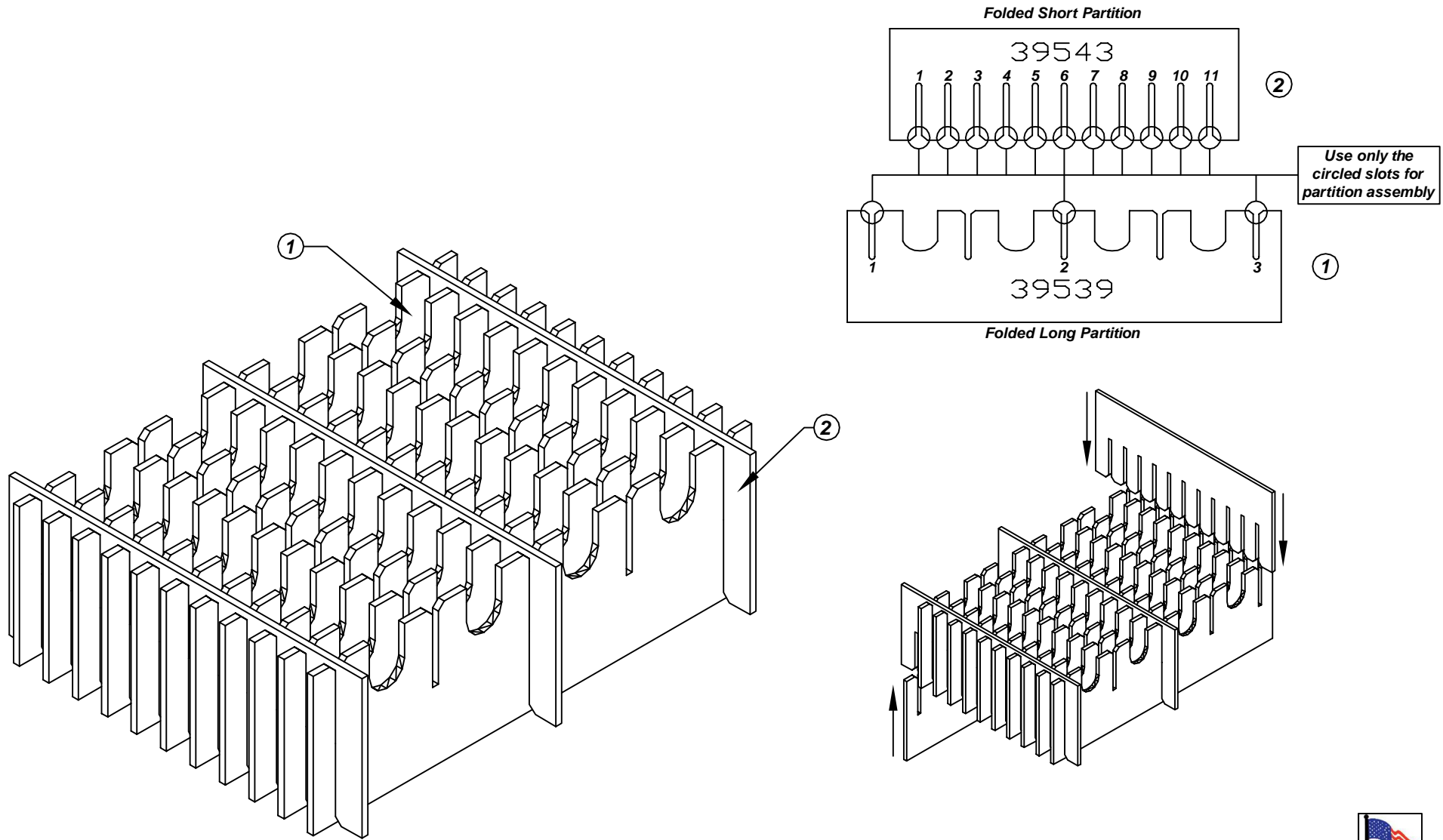


# Assembly Instructions for - 37213



Made in America

F/N ①	Part # <b>39539</b>	Dimensions: <b>12" x 18-5/8"</b>	Description: <b>406/468-LP-20/40 Long Partition</b>	Qty: <b>11</b>
F/N ②	Part # <b>39543</b>	Dimensions: <b>12" x 15"</b>	Description: <b>406-SP-12</b>	Qty: <b>3</b>

## 37213 - 24 Cell Inplant Handler Cell Size - 5-7/8" x 8-1/8" x 1"

Notes:  
For use with the following storage container & lid:  
37506 - Storage Container  
37554 - Lid

PROTEKTIVE PAK  
13520 MONTE VISTA AVENUE, CHINO, CA 91710  
PHONE (909) 627-2578, FAX (909) 363-7331  
ProtektivePak.com



DRAWING NUMBER  
**IPH-37213**

DATE  
**Nov. 2007**