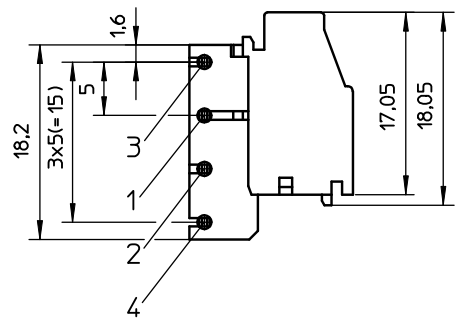
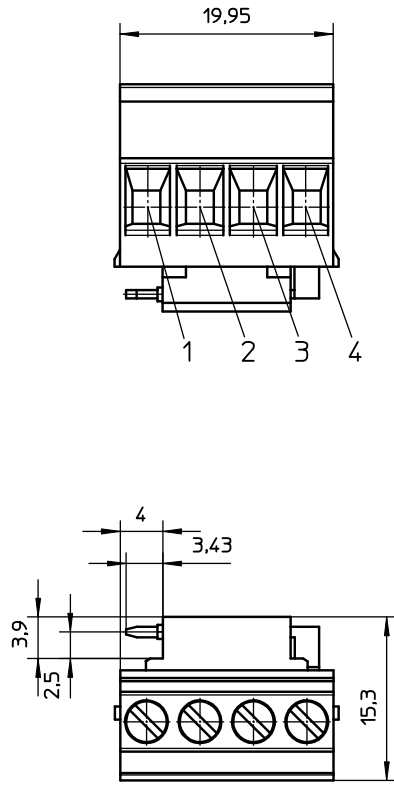


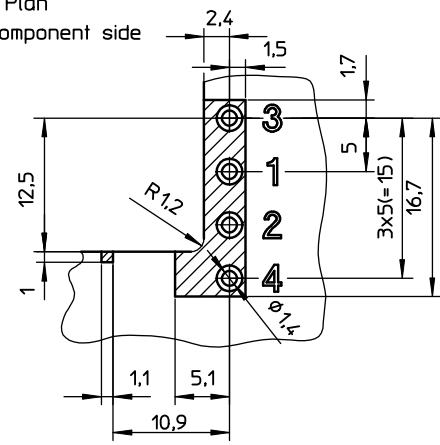
The copying, distribution and utilization of this document as well as the communication of the contents to others without expressed authorization is prohibited according to §18 UWG German Law. Offenders will be held liable for the payment of damages according to §19 UWG German Law. All rights reserved, in particular the right to carry out patent utility model or ornamental design registrations.  
Flachsmarkstraße 8 D-32825 Blomberg

Weitergabe sowie Vervielfältigung dieses Dokuments, Verwertung und Mitteilung seines Inhalts gemäß §9 UWG verboten, soweit nicht ausdrücklich gestattet. Zuwiderhandlungen verpflichten zu Schadenersatz (§9 UWG). Alle Rechte vorbehalten, insbesondere das Recht, Patent-, Gebrauchsmuster- oder Geschmacksmusteranmeldungen durchzuführen.  
Phoenix Contact GmbH & Co. KG

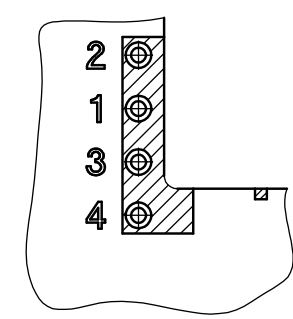
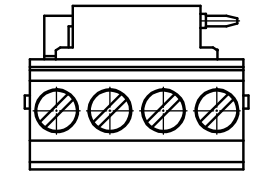
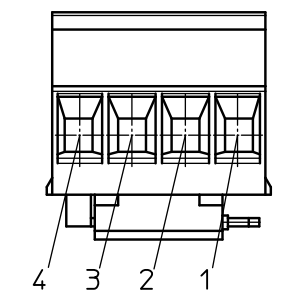
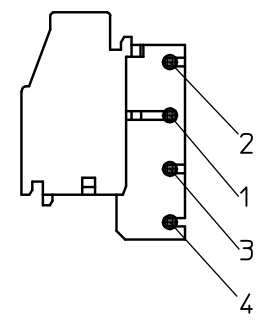
# MKDSO 2,5/ 4-L-5,0



## Recommended Drilling Plan view: component side



# MKDSO 2,5/ 4-R-5,0



### General Information

- Simplified representation
- Restricted area
- Document excluded from change process
- CAD Data see Dowload-Center on [www.phoenixcontact.com](http://www.phoenixcontact.com)
- When using the print terminal in housings from Phoenix Contact the PCB outline housing series must be used.

|    |      |  |          |  |      |          |          |        |                   |              |               |                      |
|----|------|--|----------|--|------|----------|----------|--------|-------------------|--------------|---------------|----------------------|
|    |      |  |          |  |      | 00       | date     | name   | ident.-No. / RI   | material     | scale         | dim.var.             |
|    |      |  |          |  |      | creat.   | 02.06.10 | pboa01 | ----- / --        | -----        | 2:1           |                      |
|    |      |  |          |  |      | check    | 30.05.11 | evbf02 | SAP change-No.    | part-rev.    |               |                      |
|    |      |  |          |  |      |          |          | DIN A3 | document-type     | document-No. | surface in µm |                      |
|    |      |  |          |  |      |          |          |        | KUNDZSCHNG-SELECT | 00556587     |               |                      |
|    |      |  |          |  |      |          |          |        | description       |              |               |                      |
|    |      |  |          |  |      |          |          |        |                   |              |               | MKDSO 2,5/ 4-L/R-5,0 |
| RI | date |  | revision |  | name | check.on | name     | page   | of 1              |              |               |                      |